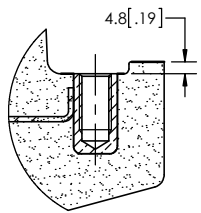
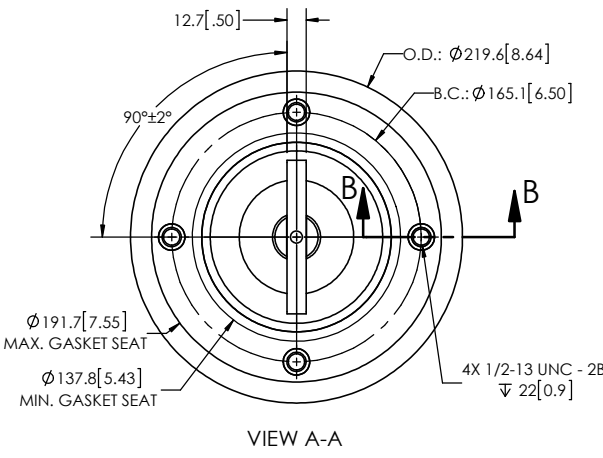
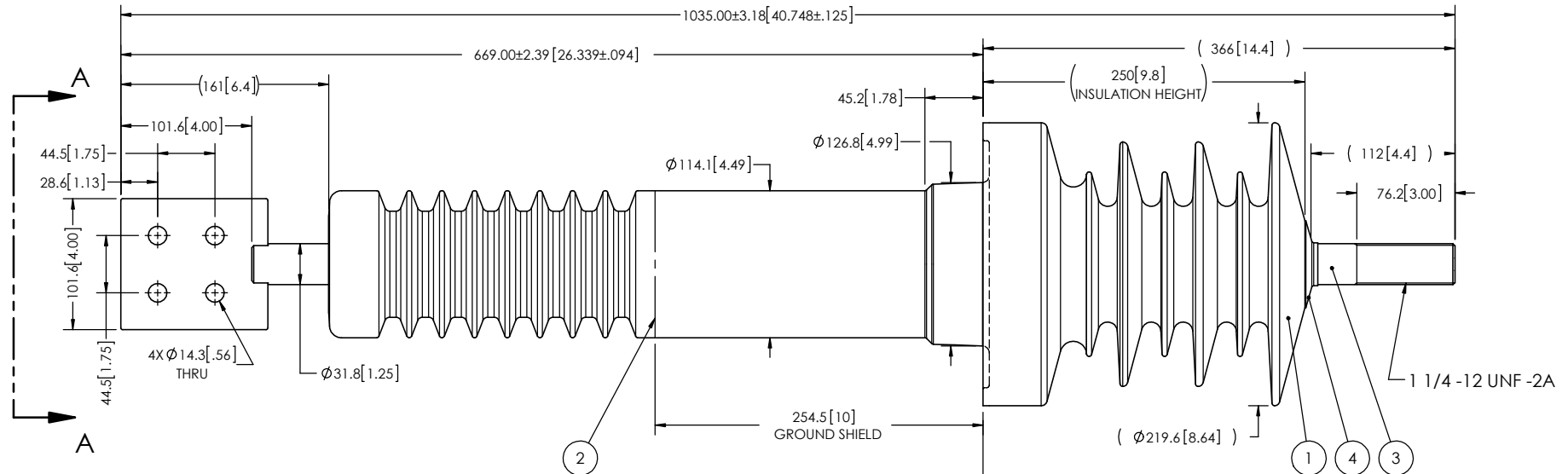


- NOTES:
- | | | |
|---------------------------------|----------------------------|-------------------|
| 1 CREEPAGE DISTANCE: | OUT: 663mm / 26.1" | IN: 460mm / 18.8" |
| 2 ARC DISTANCE: | OUT: 305mm / 12.0" | IN: 303mm / 11.9" |
| 3 NOMINAL VOLTAGE: | 26.4kV | |
| 4 NOMINAL CURRENT: | 1200A | |
| 5 VOLTAGE WITHSTAND, 60 sec.: | 60kV | |
| 6 BIL : | 150kV | |
| 7 ROUTINE TEST ACCORDING TO: | IEC 60137 & IEEE C57.19.01 | |
| 8 MAX. TORQUE APPLIED ON BOLTS: | 40.7 N·m / 30 lbf·ft | |
| 9 WEIGHT: | 23.6 kg / 52 lb | |

REVISIONS					
ZONE	REV.	DESCRIPTION	DRAWN BY	DATE	APPR.



ITEM NO.	QTY	DRAWING NO.	PART NO.	DESCRIPTION	NOTE / MAT'L
4	1	S-1016-0008		CAP	COPPER
3	1	S-2766-10072		ROD ASSEMBLY	COPPER
2	1	S-1001-0013		SHIELD ASSEMBLY	COPPER
1	1	S-2766-10071	-001	CASTING, CYCLOALIPHATIC RESIN	EC-APG-02

PARTS LIST						
GENERAL TOLERANCES (UNLESS OTHERWISE SPECIFIED)			Electro Composites™ solid HV bushings solution			
X.	±3.2					
.X	±2.4		TITLE:	SDC® BUSHING 26.4kV, 1200A		
.XX	±1.6			MODEL: 150-012-W-001-02		
.XXX	±0.8		DRAWN BY:	M. FORGET	DATE:	2019/11/14
ANGLES	±0.25°		CHECK BY:			
RADIUS	±1.6		PROJECTING:			
REMOVE BURRS AND BREAK SHARP EDGES			PROJECT MANAGER:			
DIMENSIONS ARE IN MILLIMETERS (UNLESS OTHERWISE SPECIFIED)			SCALE: 1:5			
			GENERATED BY: SolidWorks 2013			
			SHEET: 1 of 1			

This drawing is the proprietary property of Electro Composites (2008) ULC, not part of the public domain, and is issued with the express understanding and agreement that it is not to be reproduced or copied in whole or in part or issued for furnishing information to others, or used directly or indirectly, in any way detrimental to the interest of Electro Composites (2008) ULC and is to be returned upon request by Electro Composites (2008) ULC. All Rights Reserved.