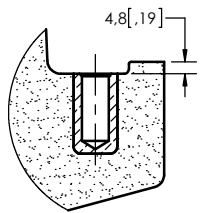
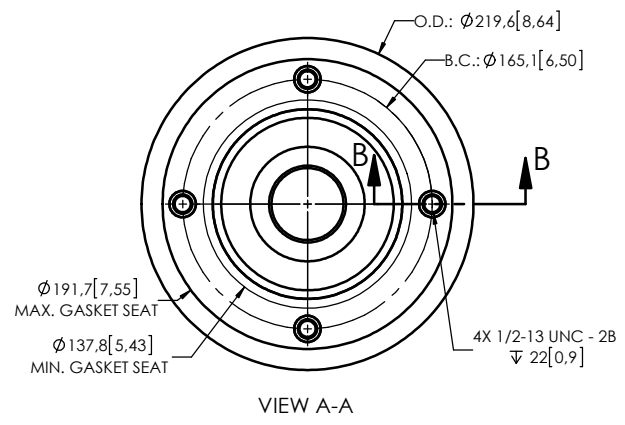
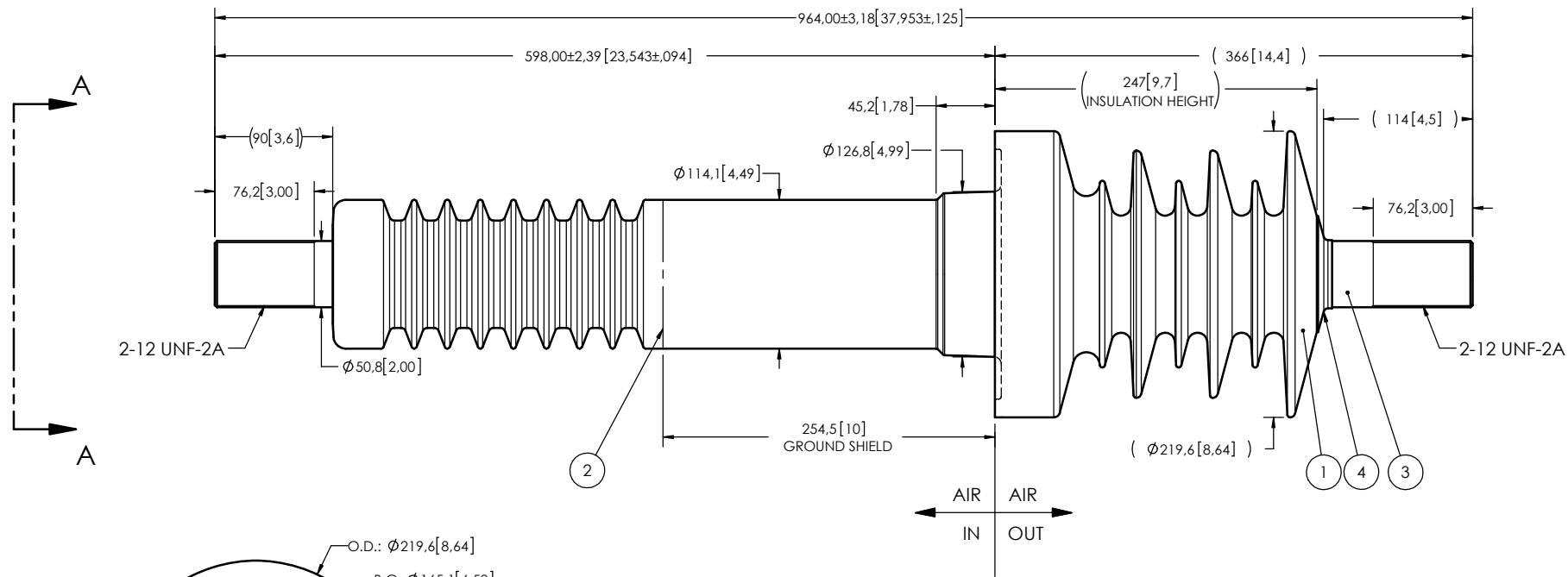


- NOTES:
- | | | |
|---------------------------------|----------------------|-------------------|
| 1 CREEPAGE DISTANCE: | OUT: 663mm / 26.1" | IN: 447mm / 17.6" |
| 2 ARC DISTANCE: | OUT: 305mm / 12.0" | IN: 290mm / 11.4" |
| 3 NOMINAL VOLTAGE: | 25kV | |
| 4 NOMINAL CURRENT: | 3000A | |
| 5 VOLTAGE WITHSTAND, 60 sec.: | 60kV | |
| 6 BIL: | 150kV | |
| 7 ROUTINE TEST ACCORDING TO: | IEEE C57.19.01 | |
| 8 MAX. TORQUE APPLIED ON BOLTS: | 40.7 N·m / 30 lbf·ft | |
| 9 WEIGHT: | 31.3 kg / 69 lb | |

REVISIONS					
ZONE	REV.	DESCRIPTION	DRAWN BY	DATE	APPR.



ITEM NO.	QTY	DRAWING NO.	PART NO.	DESCRIPTION	NOTE / MAT'L
4	1	S-1344-0162-0		CAP	COPPER
3	1	S-2766-9242		ROD ASSEMBLY	COPPER
2	1	S-1001-0013		SHIELD ASSEMBLY	COPPER
1	1	S-1001-9167	-001	CASTING, CYCLOALIPHATIC RESIN	EC-APG-02

PARTS LIST					
GENERAL TOLERANCES (UNLESS OTHERWISE SPECIFIED)			Electro Composites™ solid HV bushings solution		
X.	±3.2				
.X	±2.4		TITLE: SDC® BUSHING 25kV, 3000A MODEL: 150-030-W-001-15		
.XX	±1.6		FORMAT: A	CAGE CODE:	DRAWING NO.: S-1001-9167
.XXX	±0.8		PROJECTING: A		REVISION: NR
ANGLES	±0.25°		PROJECT MANAGER:	SCALE: 1:5	GENERATED BY: SolidWorks 2013
RADIUS	±1.6				SHEET: 1 of 1
REMOVE BURRS AND BREAK SHARP EDGES					
DIMENSIONS ARE IN MILLIMETERS (UNLESS OTHERWISE SPECIFIED)					

This drawing is the proprietary property of Electro Composites (2008) ULC, not part of the public domain, and is issued with the express understanding and agreement that it is not to be reproduced or copied in whole or in part or issued for furnishing information to others, or used directly or indirectly, in any way detrimental to the interest of Electro Composites (2008) ULC and is to be returned upon request by Electro Composites (2008) ULC. All Rights Reserved.