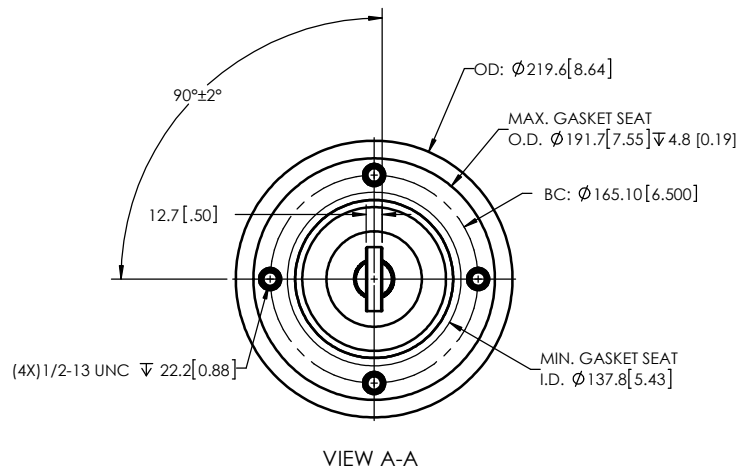
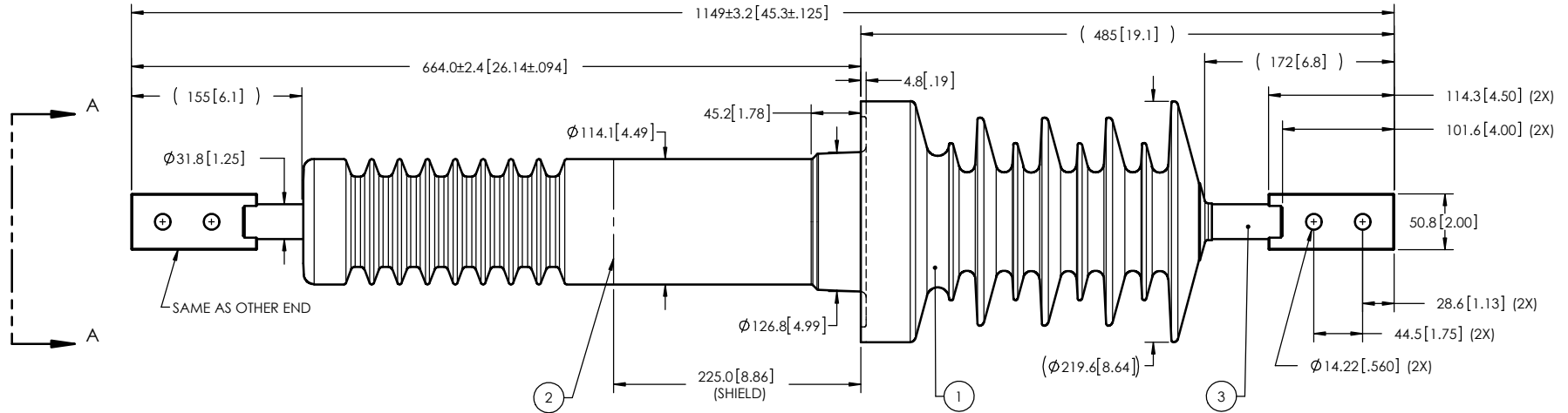


NOTES:

- | | | |
|---|--------------------------------------|--------------------------------------|
| 1 | CREEPAGE DISTANCE: | OUT: 841mm / 33.1" IN: 478mm / 18.8" |
| 2 | ARC DISTANCE: | OUT: 363mm / 14.3" IN: 320mm / 12.6" |
| 3 | NOMINAL VOLTAGE: | 34.5kV |
| 4 | NOMINAL CURRENT: | 800A |
| 5 | VOLTAGE WITHSTAND, 60 sec.: | 80kV |
| 6 | BIL: | 200kV |
| 7 | ROUTINE TEST ACCORDING TO: | IEEE C57.19.01 |
| 8 | MAX. TORQUE APPLIED ON FLANGE BOLTS: | 54.2 N·m / 40 lbf·ft |
| 9 | WEIGHT: | 24.5 kg / 54 lb |

REVISIONS					
ZONE	REV.	DESCRIPTION	DRAW BY	DATE	APPR.
E-4	A	TOTAL LENGTH CHANGE FROM 44.88" TO 45.25"	J. CLICHE	2008-09-08	J.V.
	B	UPDATE OF THE DRAWING AND NOTES.	J. CLICHE	2014-08-14	Y.V.



ITEM NO.	QTY	DRAWING NO.	PART NO.	DESCRIPTION	NOTE / MATL
3	1	S-5321-4888		ROD ASSEMBLY	COPPER
2	1	S-1121-0243		SHIELD ASSEMBLY	COPPER
1	1	S-5321-4884	-001	CASTING, CYCLOALIPHATIC RESIN	EC-APG-02

PARTS LIST

GENERAL TOLERANCES (UNLESS OTHERWISE SPECIFIED) X. ±3.2 .X ±2.4 .XX ±1.60 .XXX ±0.80 ANGLES ±0.25° RADIUS ±0.80		Electro Composites solid HV bushings solution	
REMOVE BURRS AND BREAK SHARP EDGES DIMENSIONS ARE IN MILLIMETERS (UNLESS OTHERWISE SPECIFIED)		TITLE: SDC® BUSHING 34.5kV, 800A MODEL: 200-008-W-003-19	
DRAWN BY: D. DELISLE	DATE: 2008/06/06	FORMAT: A	DRAWING NO.: S-5321-4884
PROJECTING:	PROJECT MANAGER:	SCALE: 1:6	REVISION: B
		GENERATED BY: SolidWorks 2013	SHEET: 1 of 1

This drawing is the proprietary property of Electro Composites (2008) ULC, not part of the public domain, and is issued with the express understanding and agreement that it is not to be reproduced or copied in whole or in part or issued for furnishing information to others, or used directly or indirectly, in any way detrimental to the interest of Electro Composites (2008) ULC and is to be returned upon request by Electro Composites (2008) ULC. All Rights Reserved.