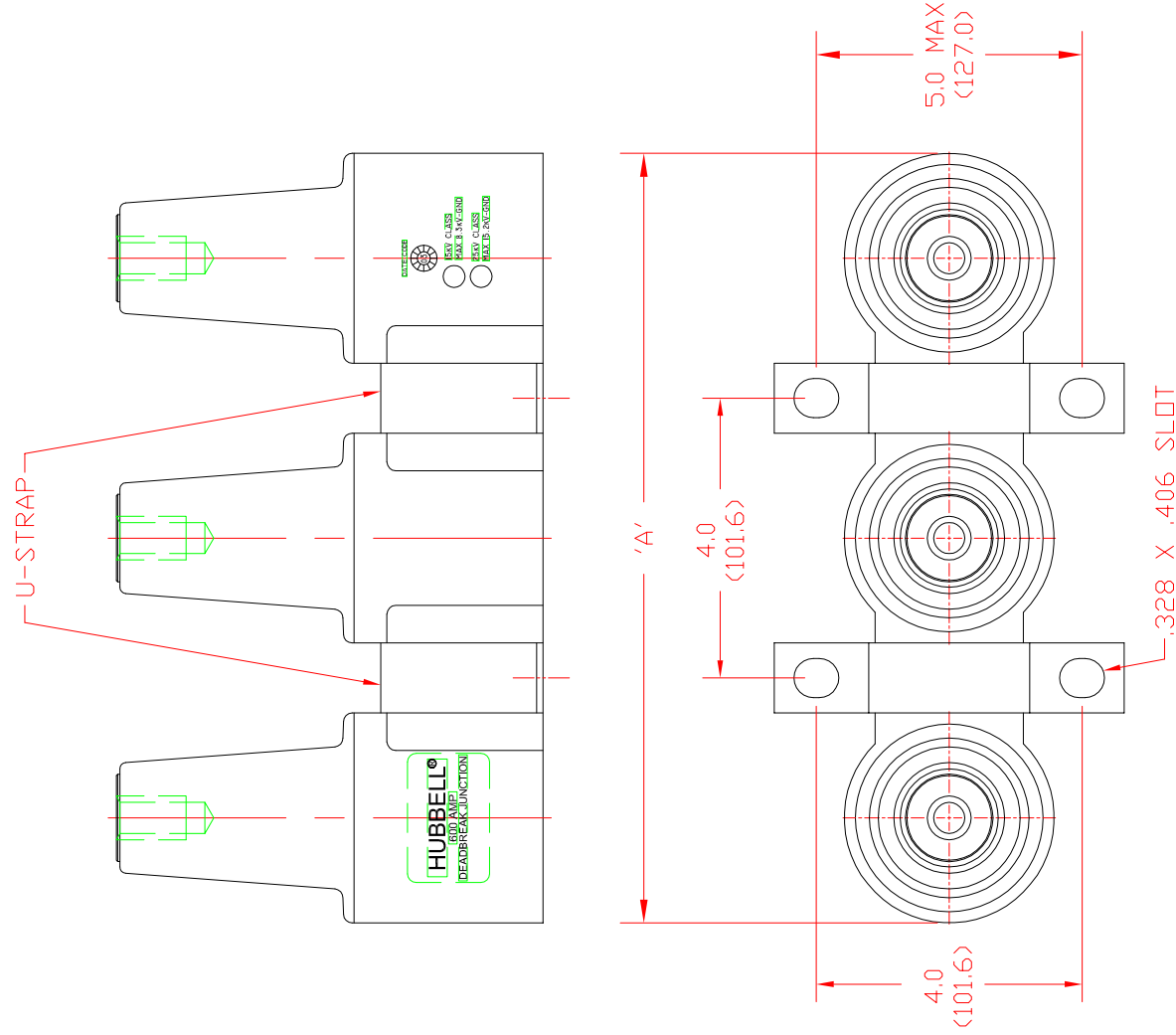


CATALOG NUMBER, 600A	DESCRIPTION	'A'	'B'
625J2-B	2-POINT MOLDED JUNCTION, BRACKET, BASE PLATE	19.5 (495)	8.25 (210)
625J3-B	3-POINT MOLDED JUNCTION, BRACKET, BASE PLATE	19.5 (495)	8.25 (210)
625J4-B	4-POINT MOLDED JUNCTION, BRACKET, BASE PLATE	23.5 (597)	10.25 (260)



CATALOG NUMBER, 600A	DESCRIPTION	U-STRAP QTY	'A'
625J2-U	2-POINT MOLDED JUNCTION, U-STRAP (1)	1	6.96 (176.8)
625J3-U	3-POINT MOLDED JUNCTION, U-STRAPS (2)	2	10.96 (278.4)
625J4-U	4-POINT MOLDED JUNCTION, U-STRAPS (3)	3	14.96 (379.9)

- NOTES:
- 1) DIMENSIONS = INCHES (MILLIMETERS)
 - 2) MATERIAL FOR BRACKET, BASE PLATE, U-STRAP: STAINLESS STEEL.
 - 3) ALSO INCLUDED: SHIPPING CAPS, LUBRICANT & INSTALLATION INSTRUCTIONS.

		HUBBELL® POWER SYSTEMS	
		TITLE JUNCTIONS, 25 KV 600A	
SIZE SB	DWG NO. 026268-00	CAT / PART / ASSY NO. 625JX	REV 7
DO NOT SCALE THIS DRAWING	DRN BY JVR	DATE 02/04/04	SHEET 1 OF 1

REV DATE 01/19/18

CONFIDENTIAL: THIS DRAWING AND ITS CONTENTS ARE CONFIDENTIAL AND THE EXCLUSIVE PROPERTY OF HUBBELL POWER SYSTEMS. NO PUBLICATION, DISTRIBUTION OR COPIES MAY BE MADE WITHOUT THE WRITTEN CONSENT OF HUBBELL POWER SYSTEMS. HUBBELL POWER SYSTEMS UNPUBLISHED ALL RIGHTS RESERVED UNDER THE COPYRIGHT LAWS.