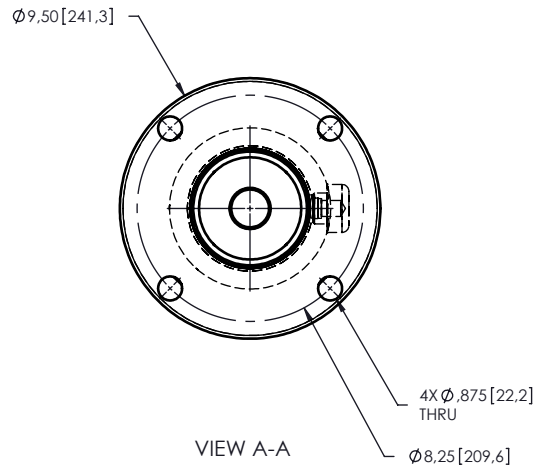
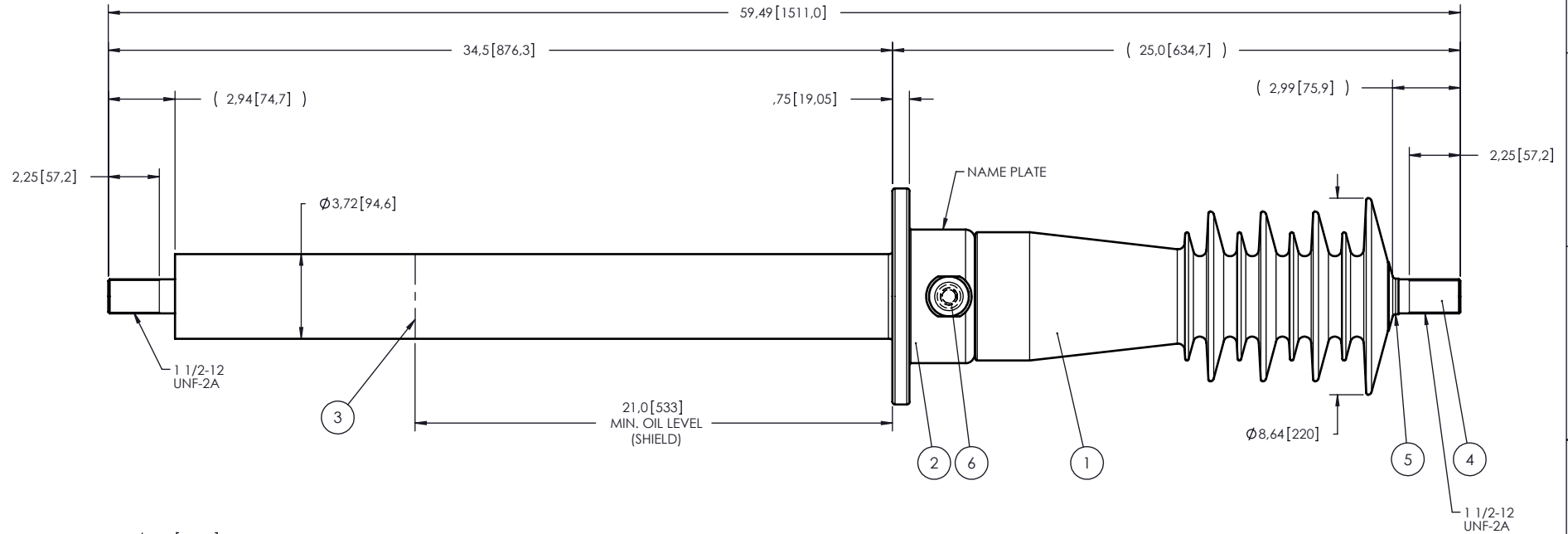


NOTES:

- 1 CREEPAGE DISTANCE: 38.85" / 986.83mm
- 2 INSULATION LEVEL: 46/105/250kV
- 3 NOMINAL CURRENT: 1200A
- 4 NOMINAL VOLTAGE: 46kV
- 5 APPLICATION STANDARD: IEEE C57.19.00-1991
- 6 WITHSTAND VOLTAGE AT 60 sec.: 105kV
- 7 WEIGHT: ~ 84.80 lbs / 38.46 Kg



ITEM NO.	QTY	DRAWING NO.	PART NO.	DESCRIPTION	NOTE / MATL
6	1	S-1001-2022		CAPACITANCE TAP ASSEMBLY	ALUMINUM
5	1	S-1001-0007		CAP	COPPER
4	1	S-5280-4889		ROD ASSEMBLY	COPPER
3	1	S-2256-1515		SHIELD ASSEMBLY	COPPER
2	1	S-5280-4890		FLANGE	ALUMINUM
1	1			CASTING, CYCLOALIPHATIC RESIN	EC-APG-02

PARTS LIST

<p>GENERAL TOLERANCES (UNLESS OTHERWISE SPECIFIED)</p> <p>X. <math>\pm 0.125</math></p> <p>.X <math>\pm 0.094</math></p> <p>.XX <math>\pm 0.063</math></p> <p>.XXX <math>\pm 0.010</math></p> <p>ANGLES <math>\pm 0.25^\circ</math></p> <p>RADIUS <math>\pm 0.031</math></p>		<p>REPLACE:</p> <p style="font-size: 24pt; font-weight: bold;">GE15B20</p>		<p><b>electrocomposites</b> </p> <p>division of</p>	
<p>REMOVE BURRS AND BREAK SHARP EDGES</p> <p>DIMENSIONS ARE IN INCHES (UNLESS OTHERWISE SPECIFIED)</p>		<p>DRAWN BY: D.Delisle DATE: 2008/06/10</p>		<p>TITLE: POWER TRANSFORMER BUSHING 46kV, 1200A MODEL: .250-012-T-81-01</p>	
		<p>CHECK BY:</p>		<p>FORMAT: A CAGE CODE: DRAWING NO. S-5280-4887 REVISION: NR</p>	
		<p>PROJECT MGR:</p>		<p>SCALE: 1:7 GENERATED BY: SolidWorks 2007 SHEET: 1 of 1</p>	

This drawing is the proprietary property of Electro Composites inc., not part of the public domain, and is issued with the express understanding and agreement that it is not to be reproduced or copied in whole or in part or issued for furnishing information to others, or used directly or indirectly, in any way detrimental to the interest of Electro Composites inc. and is to be returned upon request by Electro Composites inc. All Rights Reserved.