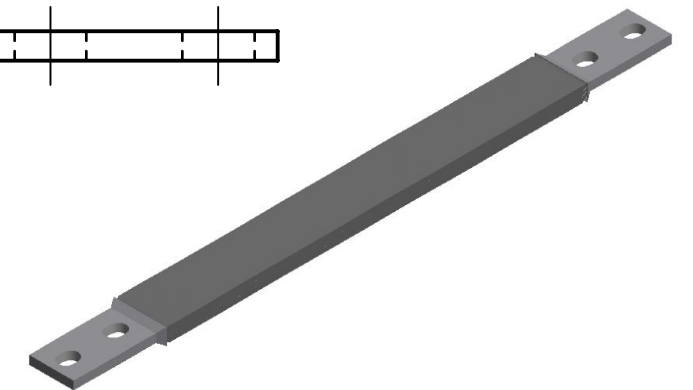
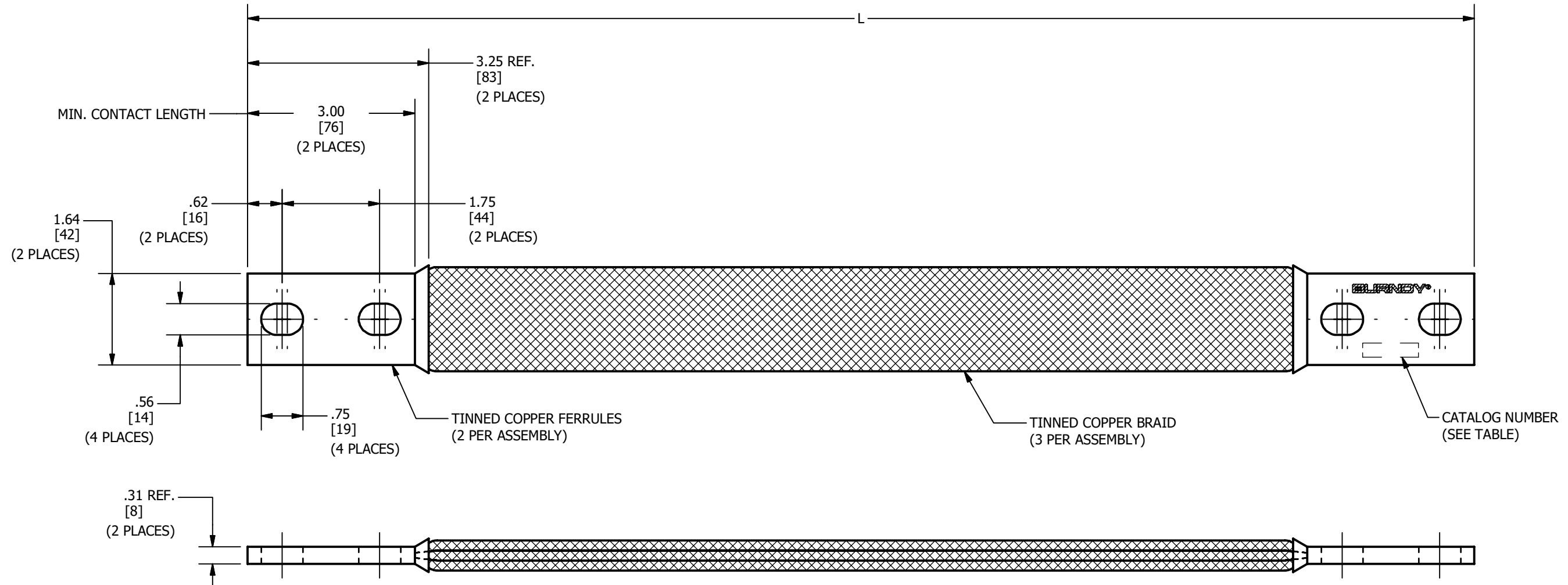


CATALOG NUMBER	L
B3E22NSLTN	22.00 [559]
B3E24NSLTN	24.00 [610]

REV	DATE	DESCRIPTION	ECO	BY	C'H.K.
B	11/25/2020	REDRAWN IN INVENTOR	54502	YR	PB



NOTES:

- MATERIAL: FERRULES - TINNED COPPER
BRAID - TINNED COPPER
- DIMENSIONS IN BRACKETS [] ARE IN MILLIMETERS ROUNDED OFF TO THE NEAREST MILLIMETER, UNLESS OTHERWISE SPECIFIED AND ARE FOR REFERENCE ONLY.

TO ORDER BURNDY® PRODUCTS CALL
 UNITED STATES
 1-800-346-4175 (LONDONDERRY, NH)
 CANADA:
 1-800-387-6487
 FOR PRODUCT INFO: <http://www.burndy.com>

BRAID, FLEXIBLE	
ITEM NO: --	
CAT. NO: SEE TABLE	
DRAWN BY: R.YOGARA 11/25/2020	
CHECKER: S.CARBONNEAU 12/30/2020	
DSN APRVL: S.CARBONNEAU 12/30/2020	
MFG APRVL: --	
QA APRVL: G.REDFIELD 12/09/2020	
MKT APRVL: K.ROBICHEAU 12/08/2020	
PROD FAM: --	DRAWING NO
PROJECT #: --	10001350
DOCUMENT TYPE: SALES	SIZE
REL LEVEL: Released	B
	SHEET 1 OF 1
	REV
	B