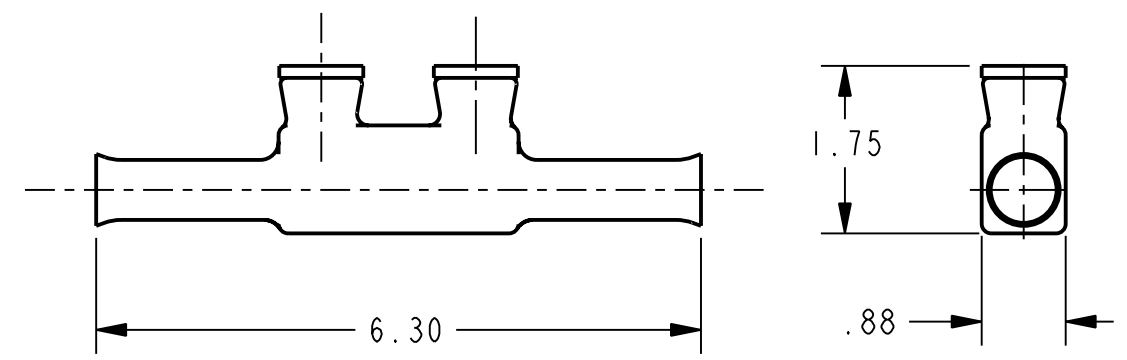
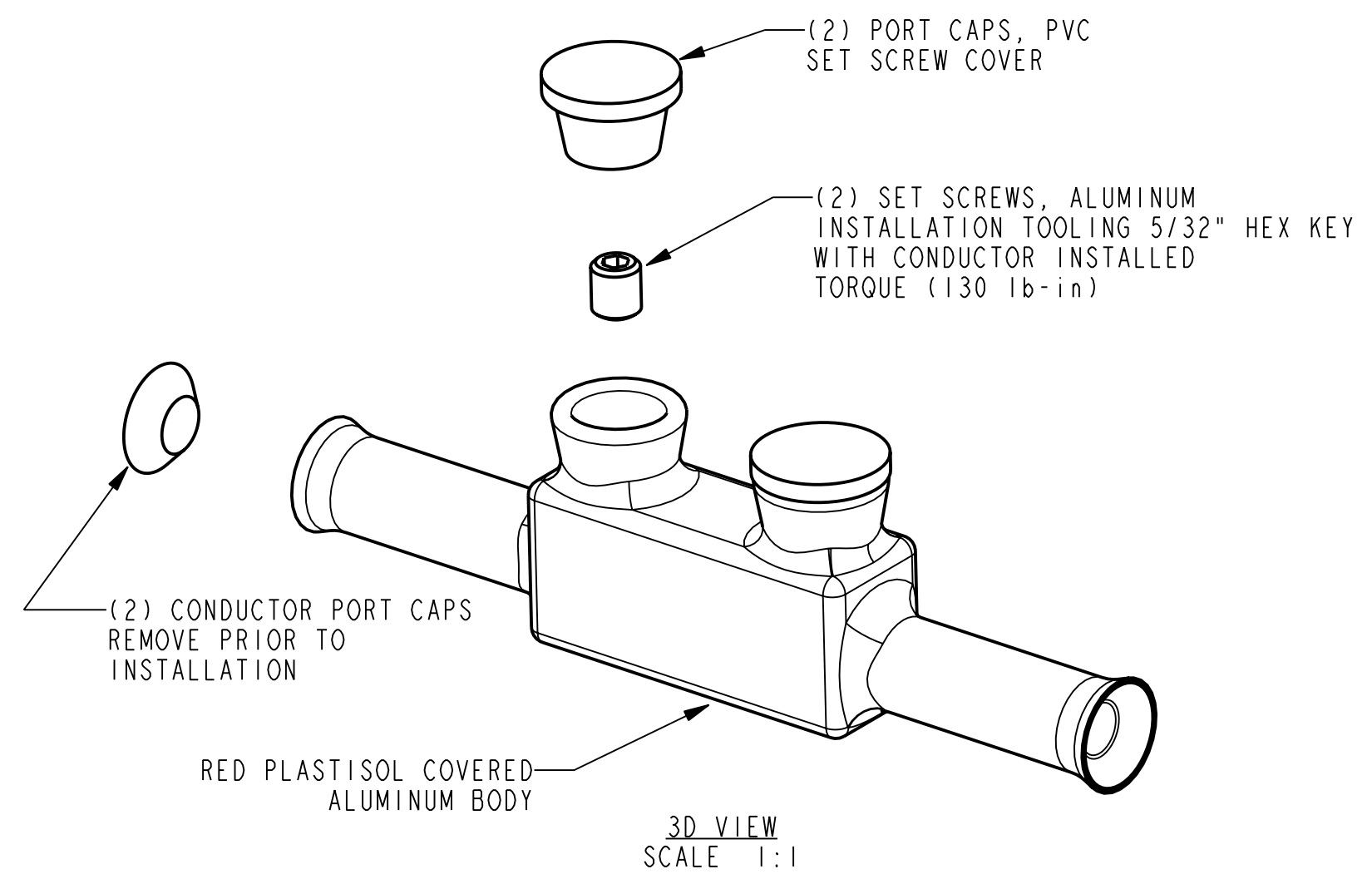


REV.	DATE	DESCRIPTION	ECO	BY	C'H'K.
C	12/21/2004 03:43:00 PM	DRAWING RELEASED	10347	RLB	CC



ACCOMMODATES WIRE RANGE
#2 - #1 AWG

NOTES:

1. BURNDY®CONNECTOR BISRIDB UL486D LISTED, DIRECT BURIAL. DUAL-RATED AL9CU FOR ANY STRANDED COPPER OR STRANDED ALUMINUM APPLICATIONS 600 VOLT MAX, 90° C.
2. WIRE STRIP LENGTH 7/8"
3. OXIDE INHIBITOR PRE-INSTALLED

TO ORDER BURNDY PRODUCTS CALL 1-800-346-4175 MANCHESTER, NH 03109, USA FOR PRODUCT INFO = http://www.fciconnect.com			
SPLICER			
ITEM NO: 26003250			
CAT. NO: BISRIDB			
DRAWN BY: D. DOBRINSKI 02/06/2003 12:00:00 AM			
CHECKER: C. CHADBOURNE 12/21/2004 04:08:00 PM			
DSN APPVL: C. CHADBOURNE 12/21/2004 04:07:00 PM			
MFG APPVL: N/A 01/01/2001 12:00:00 AM			
QA APPVL: J. BRODEUR 12/21/2004 04:07:00 PM			
MKT APPVL: A. ZWIT 12/21/2004 04:07:00 PM			
PROD FAM: --	DRAWING NO	SCALE: 1:2	REV
PROJECT #: 8137 ECO	SIZE	10003180	C
DOCUMENT TYPE: Sales	B	SHEET 1 OF 1	
REL LEVEL: Released			

REV: PE0200

