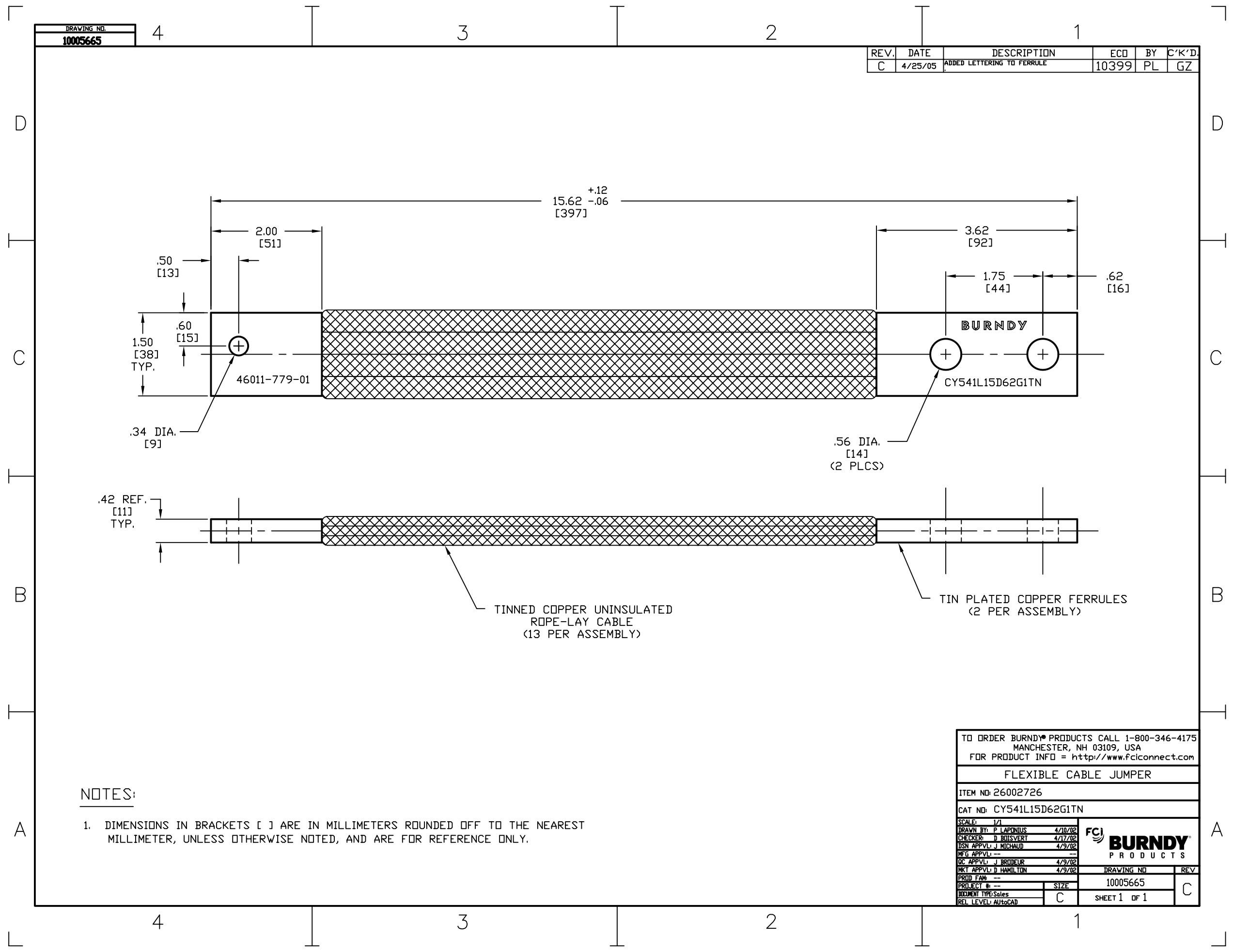


DRAWING NO.
10005665

REV.	DATE	DESCRIPTION	ECD	BY	C'K'D.
C	4/25/05	ADDED LETTERING TO FERRULE	10399	PL	GZ



NOTES:

1. DIMENSIONS IN BRACKETS [] ARE IN MILLIMETERS ROUNDED OFF TO THE NEAREST MILLIMETER, UNLESS OTHERWISE NOTED, AND ARE FOR REFERENCE ONLY.

TO ORDER BURNDY PRODUCTS CALL 1-800-346-4175
MANCHESTER, NH 03109, USA
FOR PRODUCT INFO = <http://www.fcconnect.com>

FLEXIBLE CABLE JUMPER

ITEM NO: 26002726
CAT NO: CY541L15D62G1TN

SCALE: 1/1
DRAWN BY: P LAPONIUS 4/18/02
CHECKER: D BOISVERT 4/17/02
DSN APPVL: J MICHAUD 4/9/02
MFG APPVL: --
QC APPVL: J BRODEUR 4/9/02
MKT APPVL: D HAMILTON 4/9/02

FCJ BURNDY PRODUCTS

DRAWING NO.	REV.
10005665	C
PROJECT #	SIZE
---	C
DOCUMENT TYPE: Sales	SHEET 1 OF 1
REL LEVEL: AutoCAD	