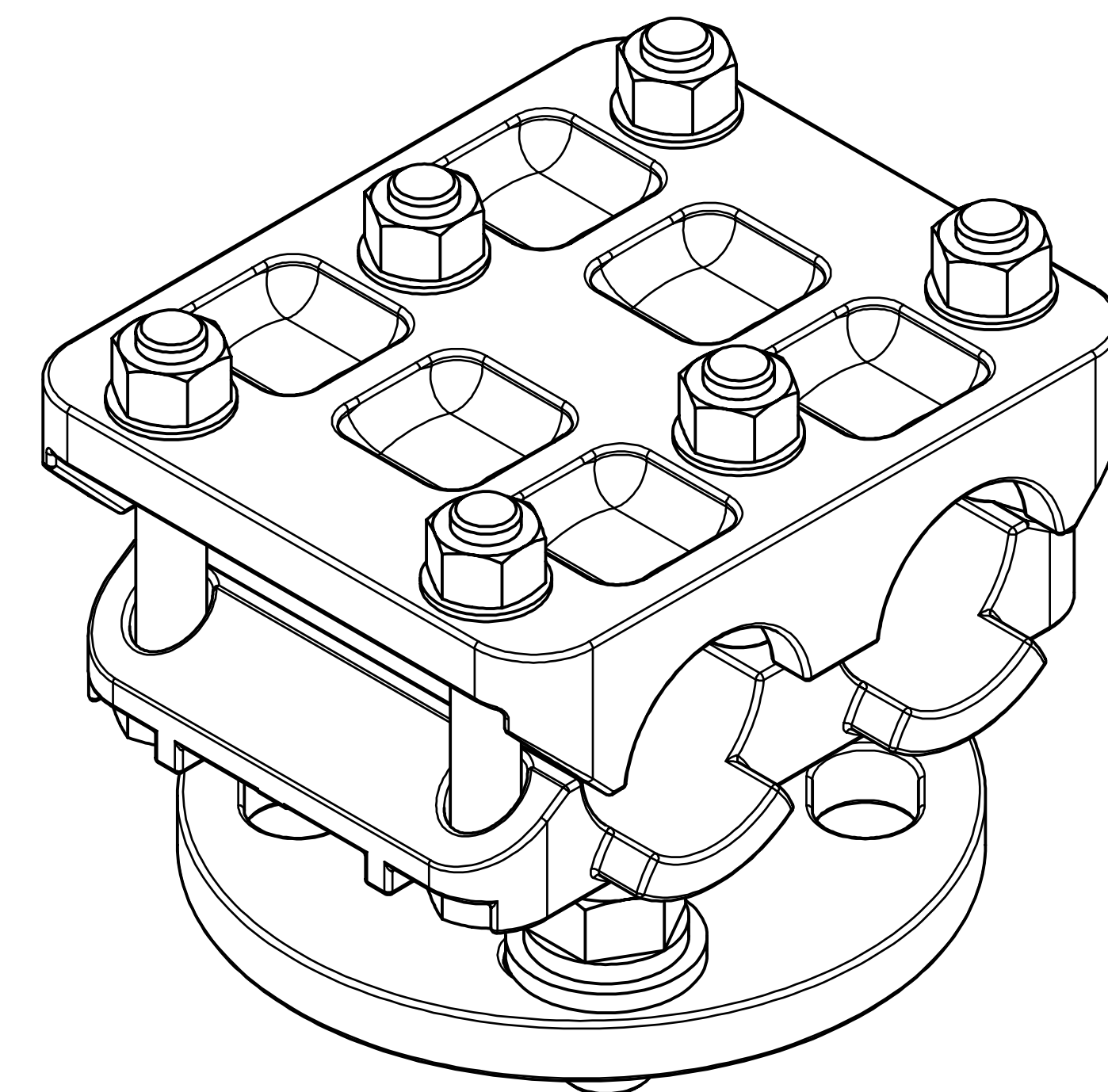
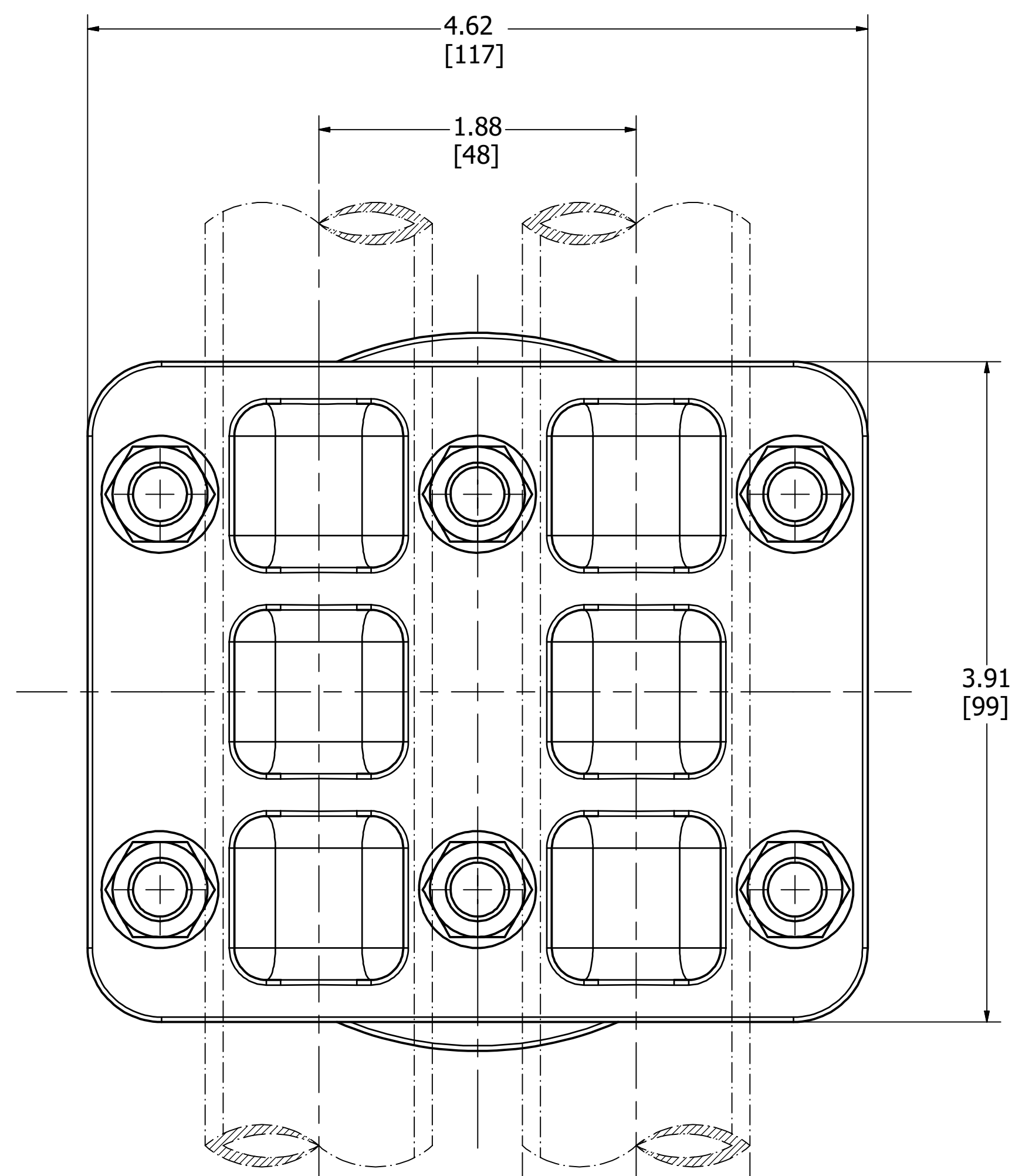
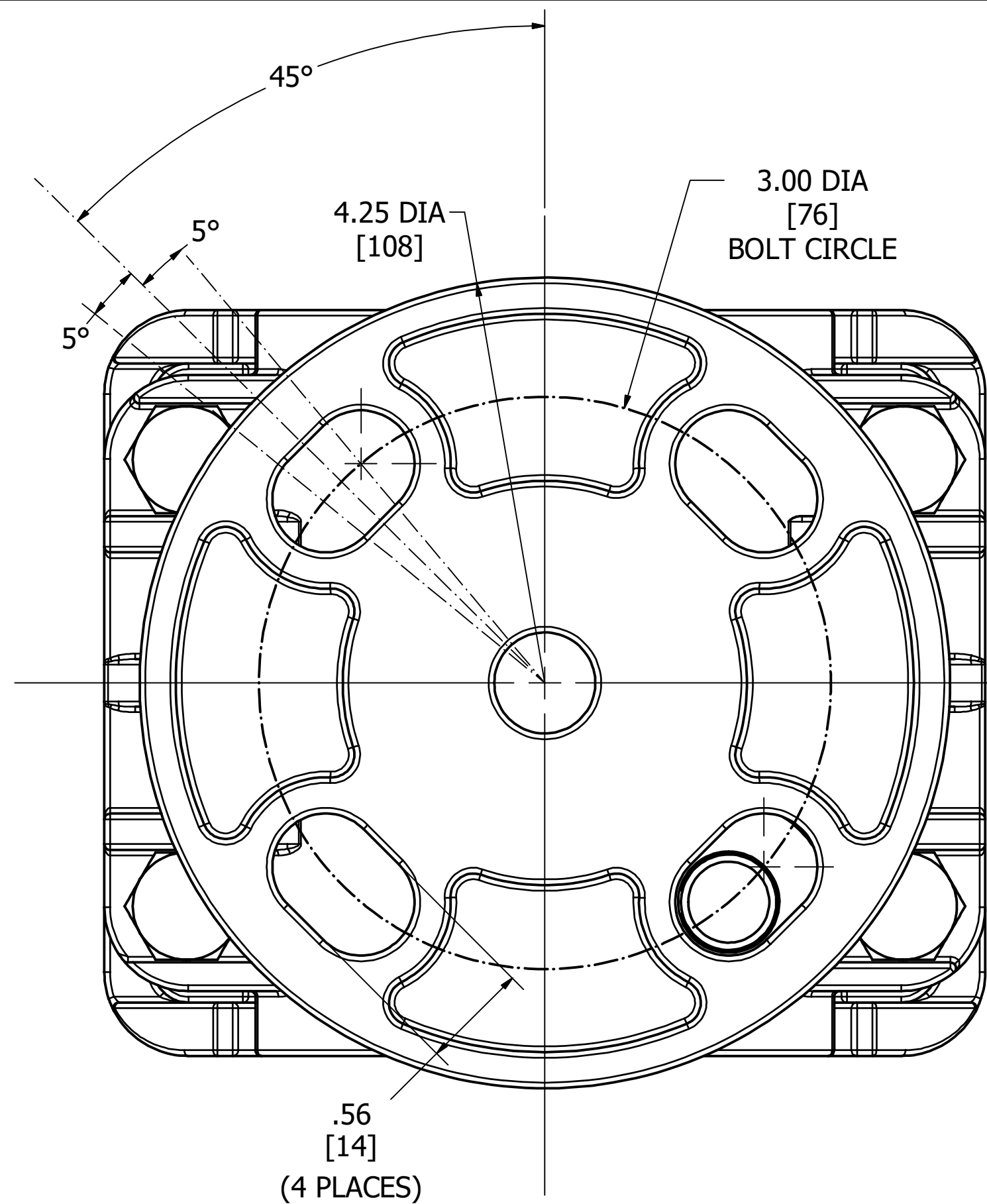


REV	DATE	DESCRIPTION	ECO	BY	CHK.
B	08/21/2020	CREATE PRODUCTION DRAWINGS AND 3D MODELS FOR ITEM 25014194 (U2HR153). LINK ALL COMPONENTS AND DRAWINGS.	54131	MK	NJS



3D VIEW

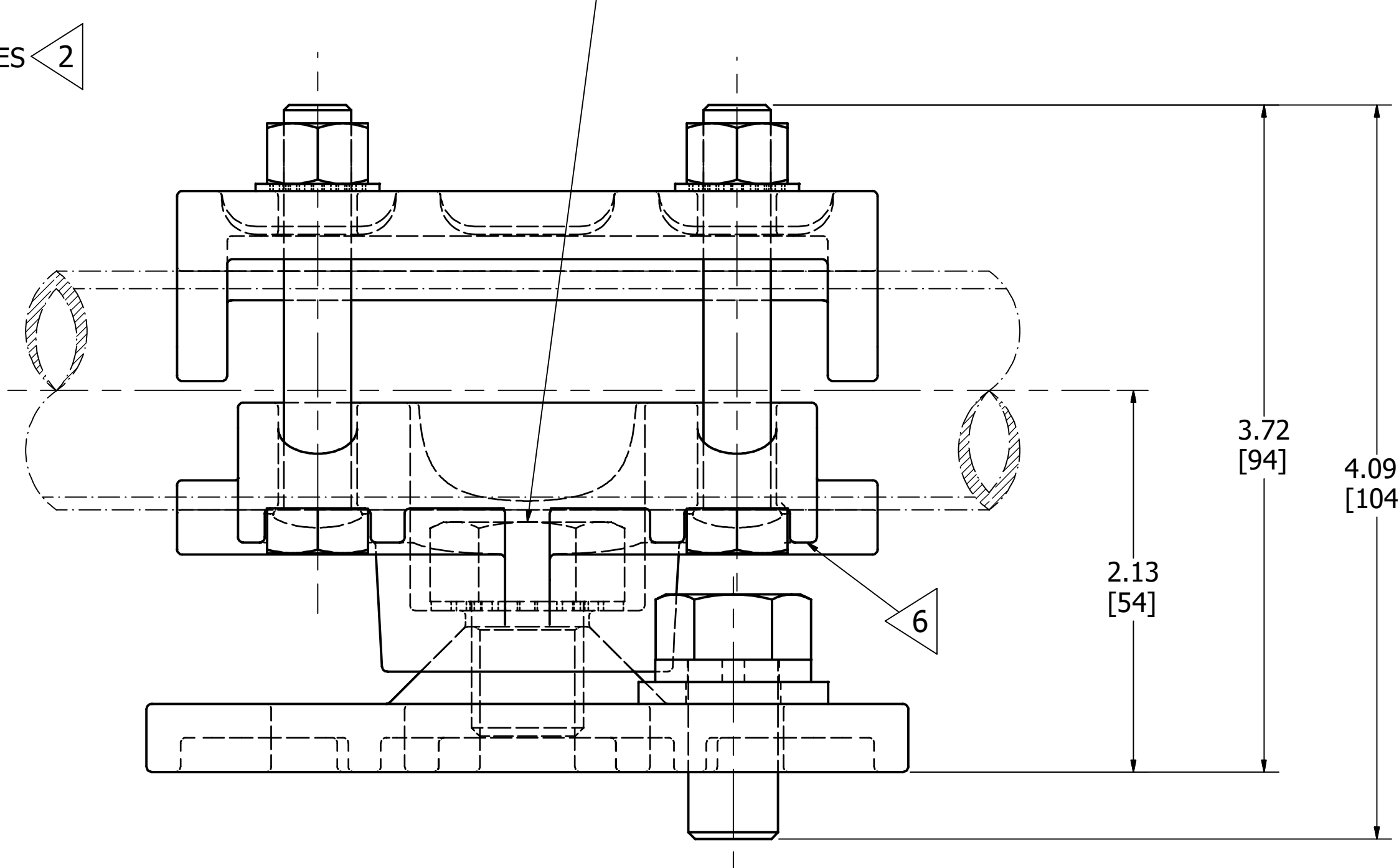
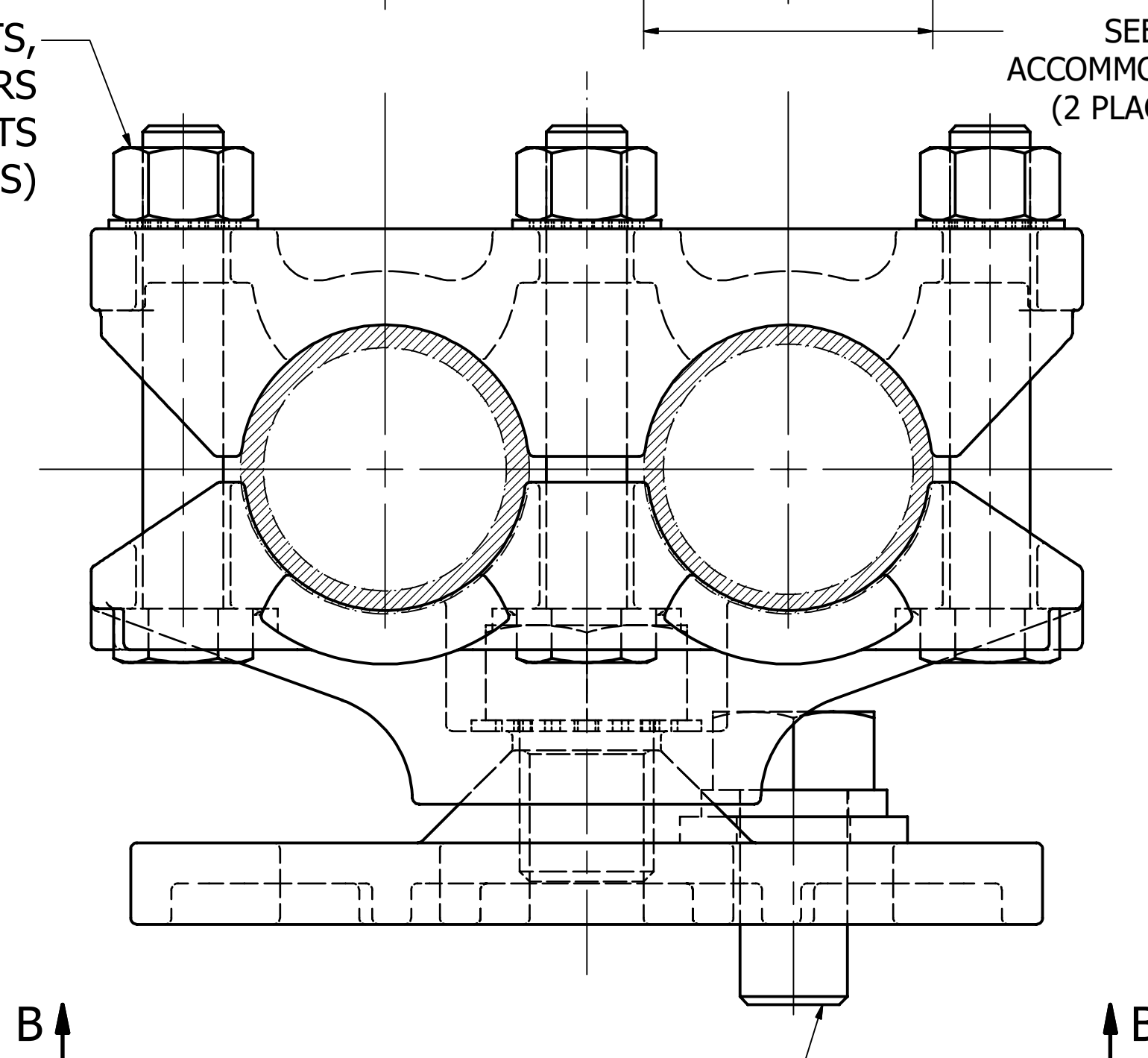
3 3/8"-16 HEX.HEAD SILICON BRONZE BOLTS, SILICON BRONZE SPLIT LOCKWASHERS & SILICON BRONZE NUTS (6 PLACES)

SEE ACCOMMODATES 2 (2 PLACES)

5/8"-11 HEX.HEAD SILICON BRONZE BOLT, SILICON BRONZE SPLIT LOCKWASHER 3

NOTES:

- MATERIAL :
- CAST COPPER ALLOY.
- SILICON BRONZE HARDWARE (BARE)
- ACCOMMODATES:
(2) 4/0 (.528 [13] DIA.) TO 1250 Kcmil COPPER CABLE.
(2) 1/4" IPS TO 1" IPS (1.315 [33] DIA.) CU TUBE.
- NOMINAL BOLT INSTALLATION TORQUE:
3/8" HEX. SILICON BRONZE HARDWARE 240 IN-LBS [30 Nm].
5/8" HEX. SILICON BRONZE HARDWARE 660 IN-LBS [75 Nm].
1/2" HEX. GALVANIZED STEEL HARDWARE 480 IN-LBS [55 Nm].
- DIMENSIONS IN BRACKETS [] DENOTES METRIC UNITS [SI UNITS] AND ARE ROUNDED TO THE NEAREST WHOLE NUMBER. UNLESS OTHERWISE SPECIFIED THESE UNITS SHALL BE USED FOR REFERENCE ONLY.
- THE CONCEPT SHOWN INCORPORATES DESIGN PRINCIPLES WHICH PERMIT OPERATION AT A VOLTAGE GRADIENT NORMALLY ASSOCIATED WITH 138 KV RMS OPERATION PHASE TO PHASE.
- HEX BOLTS CAPTURED TO PREVENT TURNING DURING INSTALLATION.
- IF BASE MOUNTING IS DESIRED ADD "B" TO CATALOG NO. AND THE FOLLOWING HARDWARE WILL BE SUPPLIED AS U2HR153B.
- MARKING:
BURNDY
U2HR153
4/0 - 1" IPS CU



1/2"-13 HEX.HEAD GALVANIZED STEEL BOLTS, GALVANIZED STEEL INTERNAL TOOTH LOCKWASHER & GALVANIZED STEEL FLAT WASHER (4 PLACES)
7 3 (CAP MOUNTING)

TO ORDER BURNDY® PRODUCTS CALL		BUS SUPPORT CLAMP	
UNITED STATES 1-800-346-4175 (LONDONDERRY, NH)		ITEM NO: 25014194	
CANADA: 1-800-361-6975 (QUEBEC) 1-800-387-6487 (ALL OTHER PROVINCES)		CAT. NO: U2HR153	
FOR PRODUCT INFO: http://www.burndy.com		DRAWN BY: M KATHIR 09/23/2020	
		CHECKER: B MERRITT 09/30/2020	
		DSN APRVL: D BOUDREAU 10/20/2020	
		MFG APRVL: T WAWRZYNIAK 10/01/2020	
		QA APRVL: J BRODEUR 09/30/2020	
		MKT APRVL: --	
		PROD FAM: SUBSTATION	
		PROJECT #: SIZE	
		DOCUMENT TYPE: SALES	
		REL LEVEL: Released	
		DRAWING NO	
		10008355	
		SHEET 1 OF 1	
		REV	
		B	