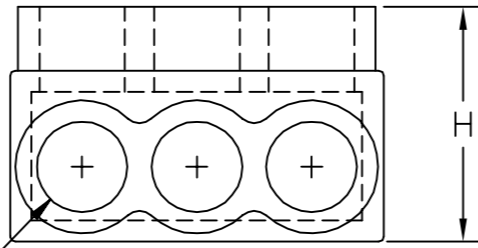
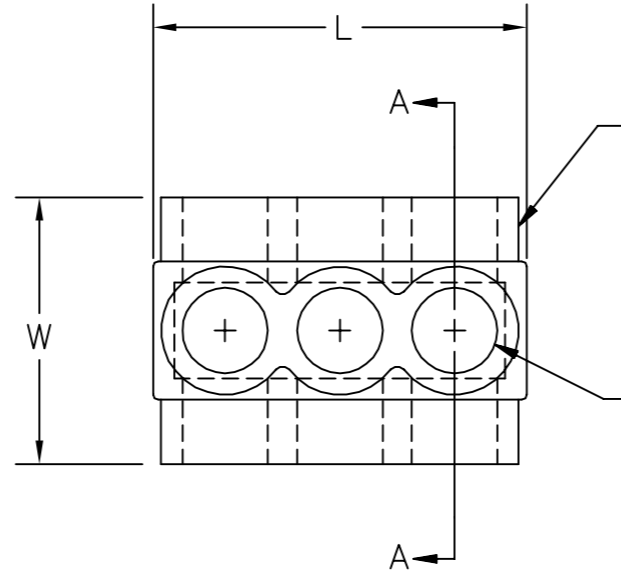


DRAWING NO. 10013354						
CATALOG NO.	WIRE RANGE (AWG/kcmil)	L	W	H	HEX KEY	N
1PLD2/0-2	#14-2/0	1.52 [39]	1.56 [40]	1.38 [35]	3/16	2
1PLD2/0-3	#14-2/0	2.19 [56]	1.56 [40]	1.38 [35]	3/16	3
1PLD2/0-4	#14-2/0	2.86 [73]	1.56 [40]	1.38 [35]	3/16	4
1PLD2/0-5	#14-2/0	3.53 [90]	1.56 [40]	1.38 [35]	3/16	5
1PLD2/0-6	#14-2/0	4.20 [107]	1.56 [40]	1.38 [35]	3/16	6
1PLD2/0-8	#14-2/0	5.55 [141]	1.56 [40]	1.38 [35]	3/16	8
1PLD2/0-10	#14-2/0	6.89 [175]	1.56 [40]	1.38 [35]	3/16	10
1PLD2/0-12	#14-2/0	8.24 [209]	1.56 [40]	1.38 [35]	3/16	12
1PLD2/0-14	#14-2/0	9.58 [243]	1.56 [40]	1.38 [35]	3/16	14

REV.	DATE	DESCRIPTION	ECO	BY	C'K'D.
D	8/2/2013	LOGO CHANGE	32732	VS	MB

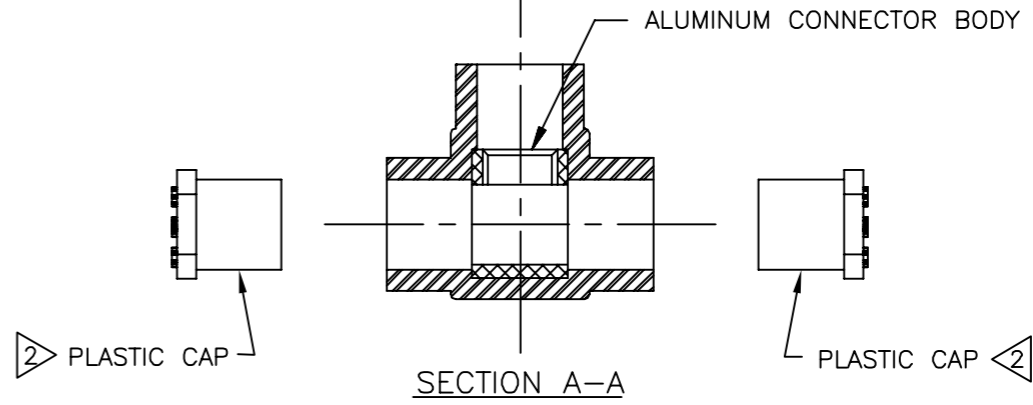
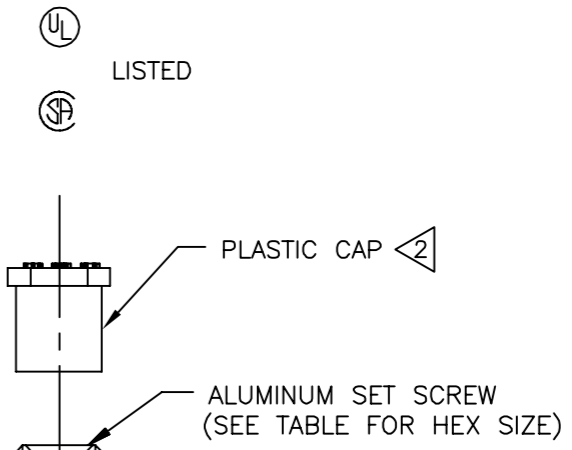
FEATURES	BENEFITS
PLASTISOL COVERED AL6061-T6 BODY	SAVES TIME, LOWERS INSTALLATION COSTS, ELIMINATES TAPING.
OXIDE-INHIBITOR IS PRE-INSTALLED	INHIBITS MOISTURE AND CONTAMINANTS FROM ENTERING THE CONTACT AREA
RANGE-TAKING	REDUCES THE NUMBER OF CONNECTORS CARRIED IN INVENTORY



② 'N' WIRE PORTS PER CONNECTOR (SEE TABLE)

BLACK PLASTISOL COVERED CONNECTOR BODY

'N' SET SCREW PORTS PER CONNECTOR (SEE TABLE)



NOTES:

- CONNECTORS ARE SUPPLIED INDIVIDUALLY LABELED. LABEL INFORMATION INCLUDES CATALOG NUMBER, QUANTITY, AND BARCODE.
- END CAPS INSTALLED ON WIRE PORTS AND SET SCREW PORTS.
- ALL CONNECTORS UL LISTED, CSA CERTIFIED FOR AL9CU, 90°C APPLICATIONS, UNLESS OTHERWISE NOTED.
- DIMENSIONS IN BRACKETS [] ARE IN MILLIMETERS ROUNDED OFF TO THE NEAREST MILLIMETER, UNLESS OTHERWISE NOTED, AND ARE FOR REFERENCE ONLY.
- UV RATED INSULATION MATERIAL.
- TORQUE SET SCREWS TO 120 IN/LB.

TO ORDER BURNDY® PRODUCTS CALL

UNITED STATES:
1-800-346-4175 (LONDONDERRY, NH)

CANADA:
1-800-361-6975 (QUEBEC)
1-800-387-6487 (ALL OTHER PROVINCES)

FOR PRODUCT INFO: <http://www.burndy.com>

UV BLACK COVERED DISTRIBUTION CONNECTORS	
ITEM NO: N/A	
CAT NO: 1PLD2/0- SERIES, (TABLE)	
SCALE: N/A	
DRAWN BY: P LARONIUS	8/14/02
CHECKER: D BOISVERT	8/14/02
DSN APPVL: J MICHAUD	8/14/02
MFG APPVL: --	--
QC APPVL: J BRODEUR	8/13/02
MKT APPVL: A ZWIT	8/13/02
PROD FAM: --	
PROJECT #: --	SIZE
DOCUMENT TYPE: Sales	C
REL LEVEL: AutoCAD	



DRAWING NO	REV
10013354	D
SHEET 1 OF 1	