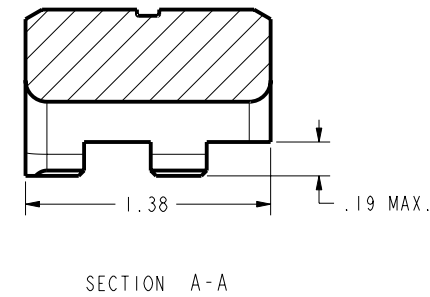
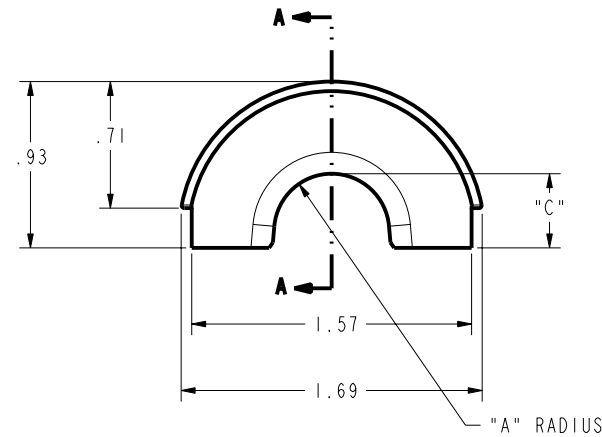
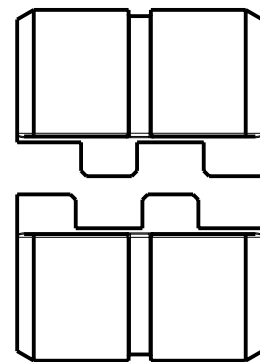


DRAWING NO.
10020293

CAT. NO.	"A" RAD MAX	"C" DIM. MAX.	WIRE SIZE	CIRCULAR MIL REF.
U25AT	0.165	0.258	1/0 AWG	105500
U26AT	0.204	0.297	2/0 AWG	133100
U27AT	0.228	0.321	3/0 AWG	167800
U28AT	0.256	0.349	4/0 AWG	211600
U29AT	0.278	0.371	250 kcmil	250000
U30AT	0.304	0.397	300 kcmil	300000
U31AT	0.328	0.421	350 kcmil	350000
U32AT	0.351	0.444	375, 400 kcmil	375000, 400000
U33AT	0.372	0.465	450 kcmil	450000
U34AT	0.391	0.484	500 kcmil	500000
U36AT	0.429	0.522	600 kcmil	600000
U37AT	0.447	0.541	650 kcmil	650000
U39AT	0.479	0.573	750 kcmil	750000
U40AT	0.494	0.588	800 kcmil	800000

REV	DATE	DESCRIPTION	ECO	BY	C'H'K.
B	06/01/2015 00:00:00 AM	UPDATED AS PER MARKUP	40453	MG	RM



NOTES:

1. DIES ROUND NON CIRCULAR CONDUCTOR FOR EASIER INSERTION INTO CONNECTORS.
2. NOT FOR USE ON CONTINUOUS CABLE. SECTION MUST BE INSERTED INTO SIDE OF TOOL.

TO ORDER BURNDY® PRODUCTS CALL		U-AT ROUNDING DIE	
UNITED STATES		ITEM NO: 421053	
1-800-346-4175 (LONDONDERRY, NH)		CAT. NO: U-AT (TABLE)	
CANADA:		DRAWN BY: R. BOISVERT 12/18/2002	BURNDY
1-800-361-6975 (QUEBEC)		CHECKER: J. HALL 12/18/2002	
1-800-387-6487 (ALL OTHER PROVINCES)		DSN APPVL: J. HALL 12/17/2002	
FOR PRODUCT INFO: http://www.burndy.com		MFG APPVL: N/A 01/01/2001	
		QA APPVL: J. BRODEUR 12/18/2002	
		MKT APPVL: R. POIRIER 12/19/2002	SCALE: 2:1
		PROJ #:	DRAWING NO
		PROJECT #:	10020293
		DOCUMENT TYPE: Sales	REV
		REL LEVEL: Released	B
		SIZE	SHEET 1 OF 1
		D	

REV: PEO200