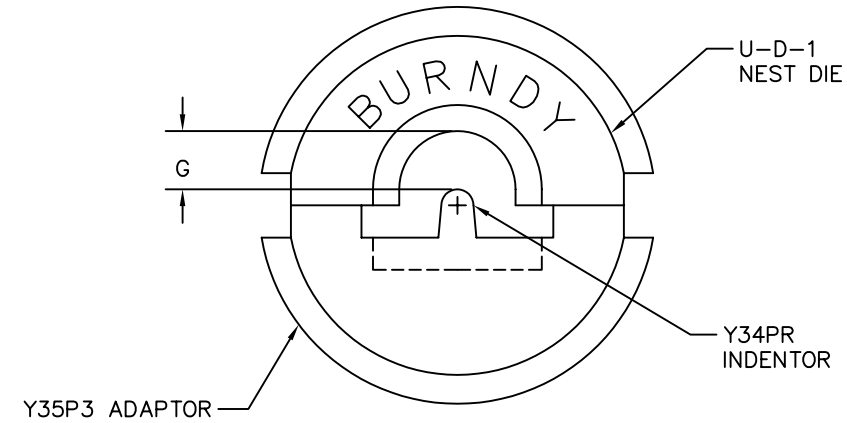
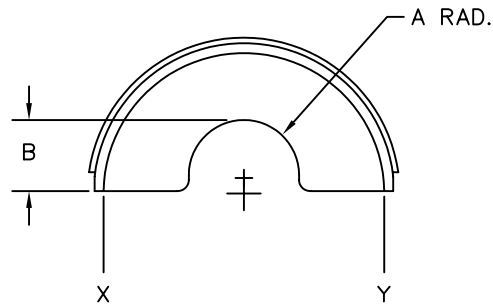
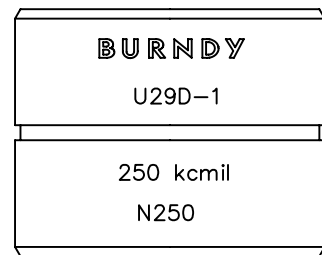


CATALOG NUMBER	ITEM NUMBER	CONDUCTOR SIZE	A	B	H	VIEW	W	REF. INDEX NUMBER	'G' DIMENSION RANGE
U6CD-1	421906	#6 STR. N30	.15	.26	.82	A	.75	7	.135 - .155
U4CD-1	421904	#4 STR. N40	.17	.28	.82	A	.75	8	.159 - .179
U3CD-1	421903	#3 STR. N50	.19	.30	.82	A	.75	9	.177 - .197
U2CD-1	421902	#2 STR. N60	.21	.32	.82	A	.75	10	.197 - .217
U1CD-1	421901	#1 STR. N75	.23	.34	.82	A	.81	11	.216 - .236
U25D-1	421925	1/0 STR. N100	.26	.37	.82	A	.81	12	.246 - .266
U26D-1	421926	2/0 STR. N125	.28	.39	.82	A	.81	13	.271 - .291
U27D-1	421927	3/0 STR. N150	.31	.43	.82	A	.81	14	.311 - .331
U28D-1	421928	4/0 STR. N200	.35	.49	1.06	B	.81	15	.368 - .388
U29D-1	421929	250 kcmil N250	.38	.53	1.06	B	.81	16	.410 - .430
U30D-1	421930	300 kcmil N300	.41	.58	1.06	B	.81	17	.457 - .477
U31D-1	421931	350 kcmil	.45	.64	1.06	B	.81	18	.515 - .535
U32D-1	421932	400 kcmil N400	.47	.67	1.06	B	.81	19	.554 - .574
U33D-1	421056	450 kcmil N450	.51	.74	1.06	B	.81	326-538	.594 - .614
U34D-1	421934	500 kcmil N500	.54	.75	1.06	B	FULL WIDTH	20	.631 - .651
U27D-2	S0007903	1/0 ALUM.	.31	.82	.82	A	.81	516	.264 - .284
U29D-2	10013158	2/0 ALUM. 250 kcmil CU.	.38	.48	1.06	B	.81	517	.363 - .383
U31D-2	10019904	4/0 ALUM.	.45	.59	1.06	B	.81	519	.468 - .486

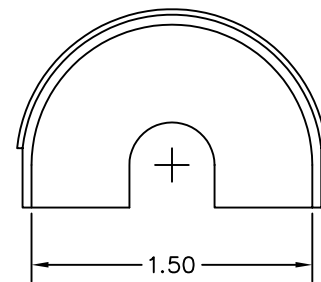
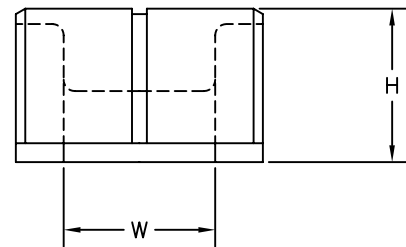
REV.	DATE	DESCRIPTION	ECO	BY	C'K'D.
B	5/19/09	CAT. # U3301, CHNG'D REF. INDEX FROM 326-538 TO 326-538	18079	PL	PL



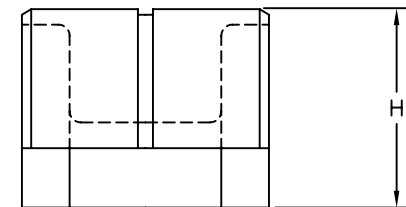
'G' DIM. DIAGRAM



VIEW 'A'



VIEW 'B'



NOTES:

- 1 TO BE USED WITH Y35P3 INDENTOR ADAPTOR AND Y34PR INDENTOR.
- 2 SEE 'G' DIM. DIAGRAM AND COLUMN FOR REQUIRED 'G' DIM. RANGES FOR NEST, ADAPTOR & INDENTOR ASSEMBLY FOR USE IN 12 OR 15 TON HYPRESS.™ VALUES SHOWN IN 'G' DIM. COLUMN ARE FOR THE SPECIFIC DIE COMBINATIONS SHOWN ONLY. (SEE NOTES 1 & 2).
- 3 U-D-2 DIES SHOWN ARE FOR U-D-2 NEST Y35P3 ADAPTOR/Y34PR5 INDENTOR.

TO ORDER BURNDY® PRODUCTS CALL UNITED STATES: 1-800-346-4175 (LONDONDERRY, NH) CANADA: 1-800-361-6975 (QUEBEC) 1-800-387-6487 (ALL OTHER PROVINCES) FOR PRODUCT INFO: <a href="http://www.burndy.com">http://www.burndy.com</a>		NEST DIES, Y35	
		ITEM NO: N/A	CAT NO: U--D-- (TABLE)
SCALE: 2/1 DRAWN BY: P LAPONIUS 10/9/03 CHECKER: J HALL 10/23/03 DSN APPVL: J HALL 10/23/03 MFG APPVL: --- QC APPVL: C ACKERMAN 10/23/03 MKT APPVL: D HAMILTON 10/23/03 PROD FAM: --- PROJECT #: --- DOCUMENT TYPE: Sales REL LEVEL: AutoCAD			
DRAWING NO 10035172		REV B	
SHEET 1 OF 1			