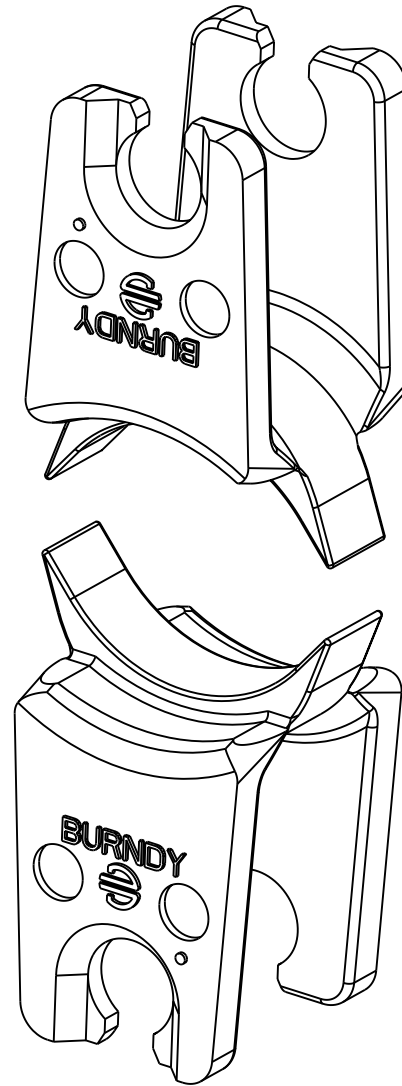


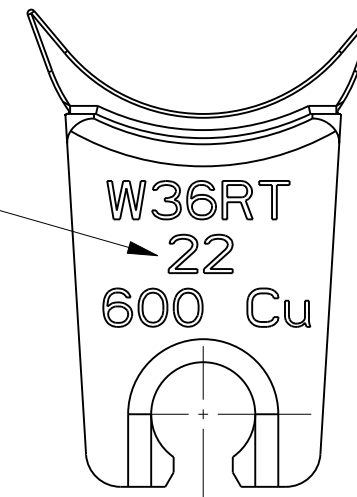
OVERALL RANGE, FOR USE WITH THE BURNDY "PAT600 SERIES + BCT500 + Y500CT SERIES" ONLY

CONNECTOR FAMILY	CONDUCTOR	SMALLEST SIZE	LARGEST SIZE
YA-L, YS-L, YA-, YS-	COPPER	600 KCMIL	600 KCMIL

REV.	DATE	DESCRIPTION	ECO	BY	C'H'K.
C	03/31/2015 00:00:00 AM	UPDATED AS PER MARKUP	38805	MG	RM



DIE INDEX



NOTES:

1. DIE GAGE CAT NO. WPG22.

TO ORDER BURNDY® PRODUCTS CALL

UNITED STATES:  
1-800-346-4175 (LONDONDERRY, NH)

CANADA:  
1-800-361-6975 (QUEBEC)  
1-800-387-6487 (ALL OTHER PROVINCES)

FOR PRODUCT INFO: <http://www.burndy.com>

W-DIE

ITEM NO: 10041409

CAT. NO: W36RT

DRAWN BY: B. MICHAUD 05/09/2004

CHECKER: J. PETERSON 05/19/2004

DSN APPVL: J. LEFAVOUR 04/07/2004

MFG APPVL: S. HOPPS 04/07/2004

QA APPVL: J. BRODEUR 04/07/2004

MKT APPVL: -- --

PROD FAM: --

PROJECT #: --

DOCUMENT TYPE: Sales

REL LEVEL: Released

**BURNDY**

SCALE: 2:1

DRAWING NO

10036043

REV

C

SHEET 1 OF 1

REV: PE0200