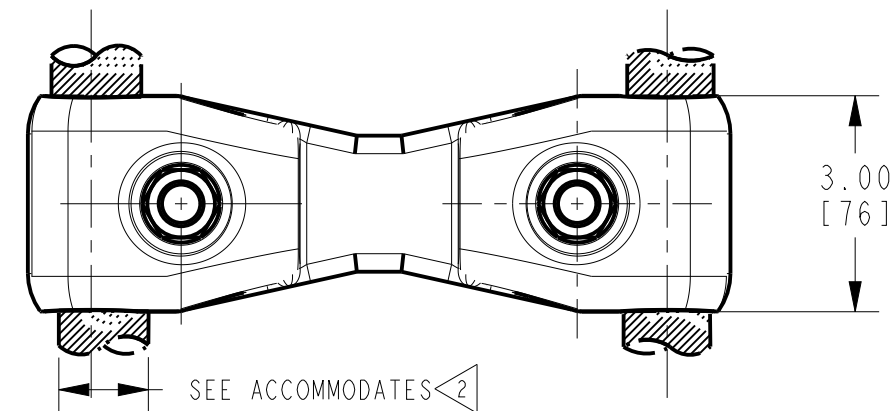
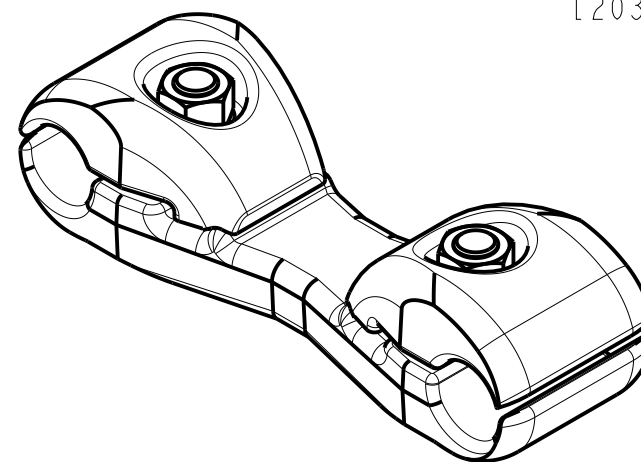
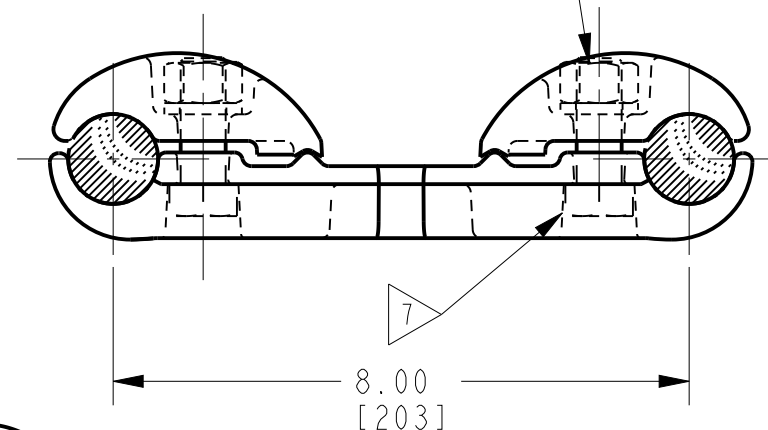


ITEM NO.	CATALOG NUMBER	CABLE RANGE		CABLE DIA		J
		AAC	ACSR	MIN.	MAX	
10038286	S2GBP41A8	795 Kcmil 37 STR. 874.5 Kcmil 61 STR.	715.5 Kcmil 24/7 STR. 715.5 Kcmil 26/7 STR.	1.026 [26]	1.092 [28]	5/8"-11 HARDWARE
25003613	S2GBP44A8	954 Kcmil 61 STR.	795 Kcmil 24/7 STR. 795 Kcmil 54/7 STR. 795 Kcmil 26/7 STR. 795 Kcmil 30/19 STR. 874 Kcmil 54/7 STR.	1.092 [28]	1.165 [30]	
10025276	S2GBP445A8	1033.5 Kcmil 37 STR. 1113 Kcmil 61 STR.	954 Kcmil 45/7 STR. 1033.5 Kcmil 45/7 STR.	1.165 [30]	1.246 [32]	
25018987	S2GBP45A8	1192 Kcmil 61 STR. 1272 Kcmil 61 STR.	1033.5 Kcmil 54/7 STR. 1192.5 Kcmil 54/19 STR.	1.246 [32]	1.382 [35]	
26002937	S2GBP46A8	1590 Kcmil 61 STR. 1600 Kcmil 127 STR.	1272 Kcmil 54/19 STR. 1431 Kcmil 54/19 STR.	1.382 [35]	1.504 [38]	
25016947	S2GBP48A8	1750 Kcmil 127 STR. 2000 Kcmil 91 STR.	1590 Kcmil 45/7 STR. 1750 Kcmil 84/19 STR.	1.504 [38]	1.632 [41]	
339985	S2GBP483A8	2000 Kcmil 117 STR. 2250 Kcmil 91 STR.	2050 Kcmil 76/16 STR.	1.632 [41]	1.737 [44]	
26002265	S2GBP486A8	2300 Kcmil 61 STR. 2500 Kcmil 127 STR.	2167 Kcmil 72/7 STR. 2156 Kcmil 84/19 STR.	1.737 [44]	1.824 [46]	

REV.	DATE	DESCRIPTION	ECO	BY	C'H'K.
C	02/25/2016 00:00:00 AM	TEMPLATE UPDATED	26082	AS	MB



"J" ALUMINUM HEX. HEAD BOLT,  
ALUMINUM SPLIT LOCK WASHER AND  
ALUMINUM HEX. NUT  
(2 PLACES)



NOTES:

- MATERIAL:  
BODY & CAP: CAST ALUMINUM ALLOY
- ACCOMMODATES:  
SEE TABLE
- NOMINAL BOLT INSTALLATION TORQUE:  
5/8" ALUMINUM HARDWARE - 480 LB-IN [55 Nm]  
5/8" GALVANIZED STEEL HARDWARE - 660 LB-IN [75 Nm]  
5/8" STAINLESS STEEL HARDWARE - 660 LB-IN [75 Nm]
- DIMENSIONS IN BRACKETS [ ] DENOTES METRIC UNITS [SI UNITS] AND ARE ROUNDED TO THE NEAREST WHOLE NUMBER. UNLESS OTHERWISE SPECIFIED THESE UNITS SHALL BE USED FOR REFERENCE ONLY.
- PENETROX™ NOTE: SCRATCH BRUSH CONNECTOR CONTACT SURFACE DRY, THEN APPLY PENETROX™ A. PENETROX™ CAN BE PURCHASED FROM BURNDY LLC, IN CANS OR PLASTIC SQUEEZE BOTTLES.
- THE CONCEPT SHOWN INCORPORATES PRINCIPLES WHICH PERMIT OPERATION AT A VOLTAGE GRADIENT NORMALLY ASSOCIATED WITH 550KV RMS OPERATION PHASE TO PHASE.
- HEX BOLTS CAPTURED TO PREVENT TURNING DURING INSTALLATION.
- MARKING:  
BURNDY  
---(CATALOG NUMBER)  
---(ACCOMMODATES)
- OPTIONAL HARDWARE VARIATIONS ARE AVAILABLE BY ADDING THE FOLLOWING SUFFIX TO THE CATALOG NUMBER. EXAMPLE: S2GBP41A8GS  
GS = GALVANIZED STEEL  
SS = STAINLESS STEEL

BURNDY  
S2GBP445A8  
1033.5-1113 kcmil

TO ORDER BURNDY® PRODUCTS CALL  
UNITED STATES:  
1-800-346-4175 (LONDONDERRY, NH)

CANADA:  
1-800-361-6975 (QUEBEC)  
1-800-387-6487 (ALL OTHER PROVINCES)

FOR PRODUCT INFO: <http://www.burndy.com>

CABLE SPACER, 2 CABLE, 8" OC, EHV

ITEM NO:	SEE TABLE
CAT. NO:	S2GBP-A8 (TABLE)
DRAWN BY:	R LAVOIE 02/12/2004
CHECKER:	-- 01/01/2001
DSN APPVL:	J MICHAUD 02/13/2004
MFG APPVL:	-- 01/01/2001
QA APPVL:	J BRODEUR 02/13/2004
MKT APPVL:	D HAMILTON 02/13/2004
PROJECT #:	LM12663
DOCUMENT TYPE:	Sales
REL LEVEL:	Released



SCALE:	N/A
DRAWING NO	10038254
REV	C
SHEET	1 OF 1