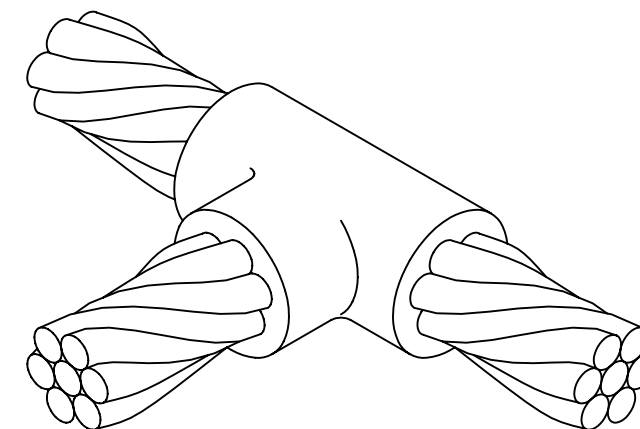
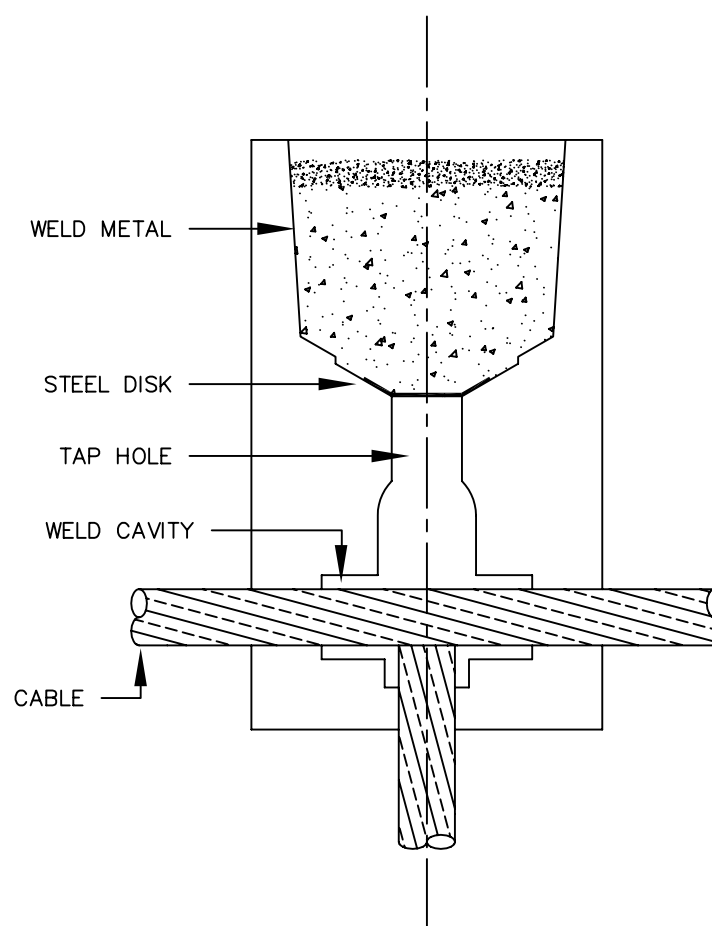


| BURNDY MOLD CAT. NO. | BURNDY ITEM NUMBER | CABLE | | WELD METAL | HANDLE CLAMPS |
|----------------------------|-----------------------|-----------|-----------|---------------|------------------|
| | | RUN | TAP | | |
| B-254 | 10047365 | 300 kcmil | 300 kcmil | 200 | B-106 |
| B-255 | 10047366 | 300 kcmil | 250 kcmil | 150 | B-106 |
| B-256 | 10047367 | 300 kcmil | 4/0 | 150 | B-106 |
| B-257 | 10047368 | 300 kcmil | 3/0 | 150 | B-106 |
| B-258 | 10047425 | 300 kcmil | 2/0 | 90 | B-106 |
| B-259 | 10047426 | 300 kcmil | 1/0 | 90 | B-106 |
| B-260 | 10047427 | 300 kcmil | #1 | 90 | B-106 |
| B-261 | 10047428 | 300 kcmil | #2 | 90 | B-106 |
| B-262 | 10047429 | 350 kcmil | 350 kcmil | 200 | B-106 |
| B-263 | 10047430 | 350 kcmil | 300 kcmil | 200 | B-106 |
| B-264 | 10047431 | 350 kcmil | 250 kcmil | 200 | B-106 |
| B-265 | 10047432 | 350 kcmil | 4/0 | 150 | B-106 |
| B-266 | 10047433 | 350 kcmil | 3/0 | 150 | B-106 |
| B-267 | 10047434 | 350 kcmil | 2/0 | 90 | B-106 |
| B-268 | 10047435 | 350 kcmil | 1/0 | 90 | B-106 |
| B-269 | 10047436 | 350 kcmil | #1 | 90 | B-106 |
| B-270 | 10047437 | 350 kcmil | #2 | 90 | B-106 |
| B-280 | 10047438 | 500 kcmil | 500 kcmil | 2-150 | B-106 |
| B-282 | 10047439 | 500 kcmil | 350 kcmil | 200 | B-106 |
| B-283 | 10047440 | 500 kcmil | 300 kcmil | 200 | B-106 |
| B-284 | 10047441 | 500 kcmil | 250 kcmil | 200 | B-106 |
| B-285 | 10047442 | 500 kcmil | 4/0 | 150 | B-106 |
| B-286 | 10047443 | 500 kcmil | 2/0 | 90 | B-106 |
| B-287 | 10047444 | 500 kcmil | 1/0 | 90 | B-106 |
| B-288 | 10047445 | 500 kcmil | #1 | 90 | B-106 |
| B-289 | 10047446 | 500 kcmil | #2 | 90 | B-106 |
| B-290 | 10047447 | 750 kcmil | 750 kcmil | 500 | B-107 |
| B-291 | 10047448 | 750 kcmil | 500 kcmil | 2-200 | B-107 |
| B-293 | 10047449 | 750 kcmil | 350 kcmil | 250 | B-106 |
| B-294 | 10047450 | 750 kcmil | 300 kcmil | 200 | B-106 |
| B-295 | 10047451 | 750 kcmil | 250 kcmil | 200 | B-106 |
| B-296 | 10047452 | 750 kcmil | 4/0 | 150 | B-106 |
| B-297 | 10047453 | 750 kcmil | 2/0 | 150 | B-106 |
| B-298 | 10047454 | 750 kcmil | 1/0 | 150 | B-106 |

| REV. | DATE | DESCRIPTION | ECO | BY | C'K'D. |
|------|---------|------------------|-------|----|--------|
| A | 12/8/04 | DRAWING RELEASED | 10262 | PL | DS |



NOTES:

- BCC-2 TYPE MOLDS ARE USED TO JOIN HORIZONTAL CABLE TAP TO A HORIZONTAL RUN CABLE.
- SIZE RANGE IS #6 THROUGH 750 kcmil SOLID OR CONCENTRIC STRANDED COPPER CONDUCTORS.
- MOLDS LISTED ARE FOR CONCENTRIC STRANDED CABLE. ADD SUFFIX "-S" TO MOLD NUMBER FOR SOLID CONNECTORS.
- FOR HEAVY DUTY MOLDS, MOLDS WITH WEAR PLATES OR MOLDS FOR COPPERWELD® CABLE, CONTACT BURNDY® PRODUCTS.
- REQUIRED TOOLS: HANDLE CLAMPS (SEE TABLE ABOVE). FOR HANDLES SEE DRAWING 10051615. B38-0309-00 FLINT IGNITOR (DRAWING 10051616).
- OTHER RECOMMENDED ACCESSORIES: DRAWING 10051616
 B40-0319-01: MOLD CLEANER FOR CARTRIDGE SIZES #15 - #65
 B40-0319-03: MOLD CLEANER FOR CARTRIDGE SIZES #90 - #500
 B38-3922-00: MOLD CLEANING BRUSH
 B38-0135-00: CABLE CLEANING BRUSH
 B38-0330-00: CABLE CLAMP

TO ORDER BURNDY PRODUCTS CALL 1-800-346-4175
 MANCHESTER, NH 03109, USA
 FOR PRODUCT INFO = <http://www.burndy.com>

BURNDYweld™ HORIZONTAL CABLE TOP TO HORIZONTAL CABLE RUN

ITEM NO: N/A

CAT NO: BCC-2 SERIES

| | |
|----------------|---------------------|
| SCALE: | N/A |
| DRAWN BY: | P LAPONIUS 12/8/04 |
| CHECKER: | D SHIBILIA 1/3/05 |
| DSN APPVL: | D SHIBILIA 1/13/05 |
| MFG APPVL: | -- |
| QC APPVL: | J BRODEUR 1/14/05 |
| MKT APPVL: | R ROBICHEAU 1/18/05 |
| PROD FAM: | -- |
| PROJECT #: | -- |
| DOCUMENT TYPE: | Sales |
| REL LEVEL: | AutoCAD |

BURNDY

TO ORDER BURNDY® PRODUCTS CALL
 UNITED STATES:
 1-800-346-4175 (LONDONDERRY, NH)
 CANADA:
 1-800-361-6975 (QUEBEC)
 1-800-387-6487 (ALL OTHER PROVINCES)
 FOR PRODUCT INFO: <http://www.burndy.com>

| DRAWING NO | REV |
|--------------|-----|
| 10044340 | A |
| SHEET 2 OF 3 | |