

| REV. | DATE | DESCRIPTION | ECO | BY | C.H.K. |
|------|------------------------|---------------|-------|----|--------|
| B | 05/03/2017 09:05:00 AM | LOGO UPDATION | 46659 | BK | MB |

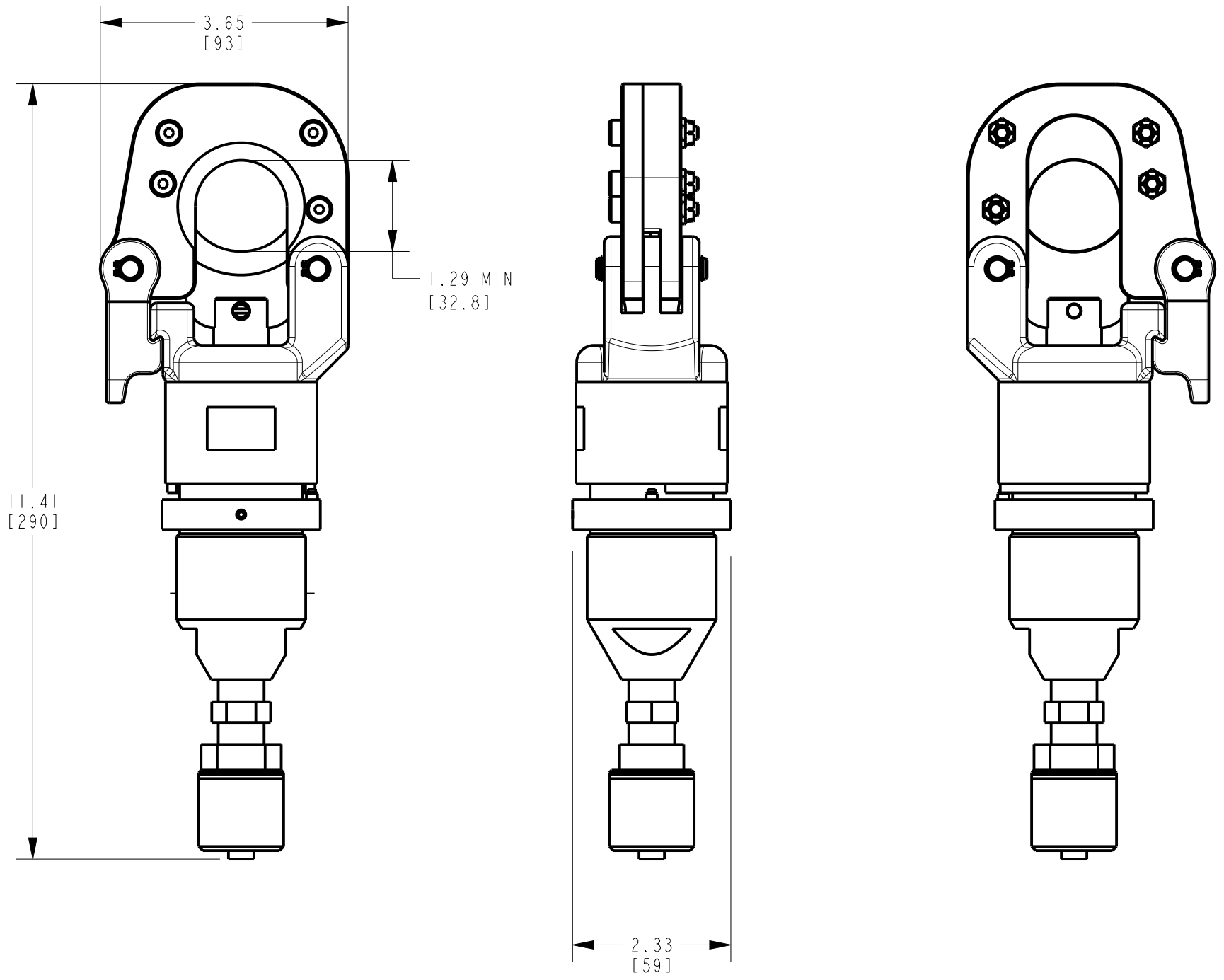
| CATALOG NO. | QTY | DESCRIPTION |
|----------------|-----|--------------------------|
| BUBBLEPAK32424 | 1 | BUBBLE PACK |
| PT10043890 | 1 | CARRYING BAG |
| CTN601 | 1 | 12.63 X 6.38 X 4.63 |
| PT20443801 | 1 | WARRANTY CARD |
| RHCC129ACSR0M1 | 1 | SOMI 1.29" REMOTE CUTTER |
| USALABELNH | 1 | LABEL, USA (NH) |

SPECIFICATION:

INPUT PRESSURE: 10,000 PSI
 OUTPUT FORCE: 7 TONS (6.35 METRIC TONS)
 TOOL WEIGHT: 6.21 LBS (2.8 kg)

FOR USE ON

| | | |
|-------------------|------------|---------|
| COPPER & ALUMINUM | 1.29" O.D. | (33 MM) |
| ACSR | 1113 kcmil | |
| GROUND ROD | 5/8" | (16 MM) |
| REBAR | 1/2" | (13 MM) |
| SOFT STEEL BOLTS | 5/8" | (16 MM) |
| STANDARD GUY WIRE | 1/2" | (13 MM) |
| EHS GUY WIRE | 3/8" | (10 MM) |



FEATURES AND BENEFITS

- TRUE ONE HANDED OPERATION: USER HAS ONE HAND FREE TO MANIPULATE MATERIAL TO BE CUT
- SPECIAL LATCH HEAD DESIGN: PROVIDES INTERFERENCE FREE CLOSURE FOR MID-SPAN CUTS
- 180-DEGREE HEAD ROTATION: LETS USERS GET INTO TIGHT AREAS EASILY
- 5 YEAR LIMITED WARRANTY ON THE TOOL.

1 READ AND FOLLOW ALL INSTRUCTIONS PROVIDED BY THE OPERATORS MANUAL, AND WARNING LABELS BEFORE USING THIS TOOL.

TO ORDER BURNDY® PRODUCTS CALL
 UNITED STATES:
 1-800-346-4175 (LONDONDERRY, NH)
 CANADA:
 1-800-361-6975 (QUEBEC)
 1-800-387-6487 (ALL OTHER PROVINCES)
 FOR PRODUCT INFO: <http://www.burndy.com>

| RHCC129ACSR | |
|----------------|-----------------------|
| ITEM NO: | 10038983 |
| CAT. NO: | RHCC129ACSR |
| DRAWN BY: | A MONTMINY 12/06/2004 |
| CHECKER: | J LEFAVOUR 12/31/2004 |
| DSN APPVL: | J PETERSON 12/31/2004 |
| MFG APPVL: | -- 01/01/2001 |
| QA APPVL: | J BRODEUR 01/04/2005 |
| MKT APPVL: | R POIRIER 01/04/2005 |
| PROD FAM: | -- |
| PROJECT #: | 13195 |
| DOCUMENT TYPE: | Sales |
| REL LEVEL: | Released |
| SCALE: | 1:2 |
| DRAWING NO | 10046861 |
| REV | B |
| SHEET 1 OF 1 | |



REV: PE0200