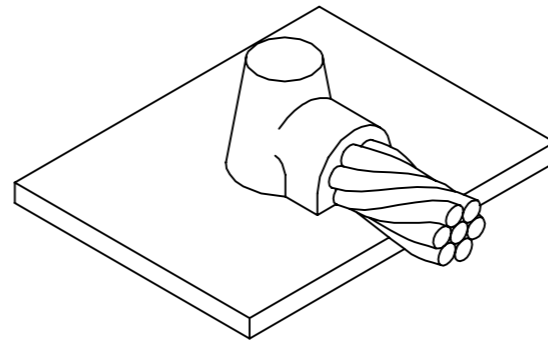


DRAWING NO.
10051637

BURNDY MOLD CAT. NO.	BURNDY ITEM NUMBER	CABLE SIZE	WELD METAL	HANDLE CLAMPS
B-1613*	10048960	#6 SOL	25CI	N/A
B-1614*	10048961	#6	25CI	N/A
B-1615*	10048962	#4 SOL	45CI	N/A
B-1616*	10048963	#4	45CI	N/A
B-1617*	10048964	#2 SOL	45CI	N/A
B-1618*	10048965	#2	45CI	N/A
B-1619*	10048966	#1 SOL	65CI	N/A
B-1620*	10048967	#1	65CI	N/A

REV.	DATE	DESCRIPTION	ECO	BY	C*K'D.
B	12/03/12	DRAWNG LOGO CHANGED.	29615	YM	MB



(CABLE IS ON THE SURFACE)

NOTES:

- BCS-5 TYPE MOLDS ARE USED TO JOIN HORIZONTAL CABLE TAPS TO HORIZONTAL CAST IRON SURFACES. NOTE THAT THE CABLE IS 'ON' THE SURFACE.
- SIZE RANGE IS #6 THROUGH #1 SOLID OR CONCENTRIC STRANDED COPPER CONDUCTORS.
- DO NOT USE BCS-5 TYPE MOLDS ON SOIL PIPE (ASTM A74-82). A TEST WELD SHOULD BE MADE ON A SECTION OF THE PIPE BEING USED TO DETERMINE THE POSSIBILITY OF DETRIMENTAL METALLURGICAL EFFECTS.
- MOLDS LISTED ARE FOR CONCENTRIC STRANDED CABLE. ADD SUFFIX "-S" TO MOLD NUMBER FOR SOLID CONDUCTORS.
- REQUIRED TOOLS:
*SOLD COMPLETE WITH FRAME.
B38-0309-00: FLINT IGNITOR (DRAWING 10051616).
- OTHER RECOMMENDED ACCESSORIES: DRAWING 10051616
B38-3922-00: MOLD CLEANING BRUSH
B38-0135-00: CABLE CLEANING BRUSH
B38-0101-00: RASP

<p>TO ORDER BURNDY® PRODUCTS CALL</p> <p>UNITED STATES: 1-800-346-4175 (LONDONDERRY, NH)</p> <p>CANADA: 1-800-361-6975 (QUEBEC) 1-800-387-6487 (ALL OTHER PROVINCES)</p> <p>FOR PRODUCT INFO: http://www.burndy.com</p>		BURNDYWeld™ HORIZONTAL CABLE TAP TO HORIZONTAL CAST IRON SURFACE	
		ITEM NO: N/A	
		CAT NO: BCS-5 SERIES	
		SCALE: N/A	
		DRAWN BY: P LAPONIUS 12/8/04	
		CHECKER: D SHIBILIA 1/3/05	
		DSN APPVL: D SHIBILIA 1/13/05	
		MFG APPVL: ---	
		QC APPVL: J BRODEUR 1/14/05	
		MKT APPVL: R ROBICHEAU 1/18/05	
		PROD FAM: ---	
		PROJECT #: ---	SIZE
		DOCUMENT TYPE: Sales	D
		REL LEVEL: AutoCAD	
		DRAWING NO	REV
		10051637	B
		SHEET 1 OF 1	

