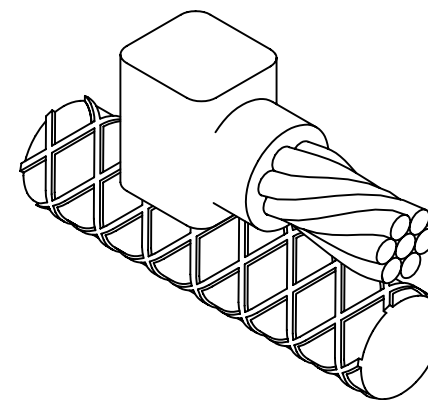


REV.	DATE	DESCRIPTION	ECO	BY	C'K'D.
A	12/27/04	DRAWING RELEASED	10262	DB	DS

BURNDY MOLD CAT. NO.	BURNDY ITEM NUMBER	REBAR SIZE	CABLE SIZE	PACKING MATERIAL #	WELD METAL	HANDLE CLAMPS
B-7500	10049803	#3	#6	B38-4060-00	25	B-106
B-7501	10049804		#4		32	B-106
B-7502	10049805		#2		45	B-106
B-7503	10049806		#1		65	B-106
B-7504	10049807		1/0		90	B-106
B-7505	10049808		2/0		90	B-106
B-7506	10049809		3/0		115	B-106
B-7507	10049810		4/0		115	B-106
B-7507	10049815	#4 & LARGER	#6	B38-4061-00	25	N/A
B-7508*	10049816		#4		32	N/A
B-7509*	10049817		#2		45	N/A
B-7510*	10049818		#1		65	N/A
B-7511*	10049819	#4	1/0	B38-4060-00	90	B-106
B-7512	10049820		2/0		90	B-106
B-7513	10049821		3/0		115	B-106
B-7514	10049822		4/0		115	B-106
B-7515	10049823	#5	1/0	B38-4060-00	90	B-106
B-7520	10049824		2/0		90	B-106
B-7522	10049825		3/0		115	B-106
B-7523	10049826		4/0		115	B-106
B-7528*	10049831	#6 & LARGER	1/0	B38-4062-00	90	N/A
B-7529*	10049832		2/0		90	N/A
B-7530*	10049833		3/0		115	N/A
B-7531*	10049834		4/0		115	N/A



NOTES:

- TYPE BCRE-1 MOLDS ARE RECOMMENDED FOR PARALLEL, HORIZONTAL CONNECTIONS FOR SOLID OR CONCENTRIC STRANDED CONDUCTORS #6 THROUGH 4/0 JOINED TO REINFORCING BARS #3 THROUGH #6 AND LARGER. THE HIGH COPPER CONTENT JOINT HAS A HIGHER CURRENT CARRYING CAPACITY THAN THE CONDUCTORS BEING AND IS IMPERVIOUS TO VIBRATION AND MOISTURE.
- A PACKING PAD IS NECESSARY WHEN MAKING BURNDYWeld™ CONNECTIONS TO REBAR. PACKING MATERIAL B38-4060-00 IS A SPECIAL, PATENTED COPPER-WOOL PACKING, WITH ENOUGH IN EACH BAG TO DO BETWEEN 40 AND 50 CONNECTIONS. PACKING MATERIAL NUMBERS B38-4061-00, B38-4062-00 AND B38-4063-00 ARE A CERAMIC FIBER MATERIAL AND CAN BE USED FOR ONE CONNECTION ONLY. BE SURE TO SPECIFY PACKING MATERIAL NUMBER WHEN ORDERING MOLD AND WELD MATERIAL.
- MOLDS LISTED ARE FOR CONCENTRIC STRANDED CABLE. ADD SUFFIX "-S" TO MOLD NUMBER FOR SOLID CONDUCTORS.
- FOR HEAVY DUTY MOLDS, ADD SUFFIX "H" TO MOLD NUMBER.
- REQUIRED TOOLS:
HANDLE CLAMPS (SEE CHART ABOVE FOR CORRECT HANDLES). FOR HANDLES SEE DRAWING 10051615.
- SOLD COMPLETE WITH FRAME
B38-0309-00 - FLINT IGNITOR (DRAWING 10051616).
- OTHER RECOMMENDED ACCESSORIES: DRAWING 10051616
B40-0319-01: MOLD CLEANER FOR CARTRIDGE SIZES #15 - #65
B40-0319-03: MOLD CLEANER FOR CARTRIDGE SIZES #90 - #500
B38-3922-00: MOLD CLEANING BRUSH
B38-0135-00: CABLE CLEANING BRUSH
B38-0304-00: FILE

TO ORDER BURNDY PRODUCTS CALL 1-800-346-4175
MANCHESTER, NH 03109, USA
FOR PRODUCT INFO = <http://www.fciconnect.com>

BURNDYWeld™ HORIZONTAL PARALLEL TAP TO REBAR

ITEM NO: (TABLE)

CAT NO: BCRE-1 SERIES (TABLE)

SCALE:	NTS
DRAWN BY:	D.BOISVERT 12/27/04
CHECKER:	D SHIBILIA 1/3/05
DSN APPVL:	D SHIBILIA 1/13/05
MFG APPVL:	--
QC APPVL:	J BRODEUR 1/14/05
MKT APPVL:	R ROBICHEAU 1/18/05
PROD FAM:	--
PROJECT #:	--
DOCUMENT TYPE:	Sales
REL LEVEL:	AutoCAD

BURNDY

TO ORDER BURNDY® PRODUCTS CALL
UNITED STATES:
1-800-346-4175 (LONDONDERRY, NH)
CANADA:
1-800-361-6975 (QUEBEC)
1-800-387-6487 (ALL OTHER PROVINCES)
FOR PRODUCT INFO: <http://www.burndy.com>

DRAWING NO	10051652	REV	A
SHEET 1 OF 1			