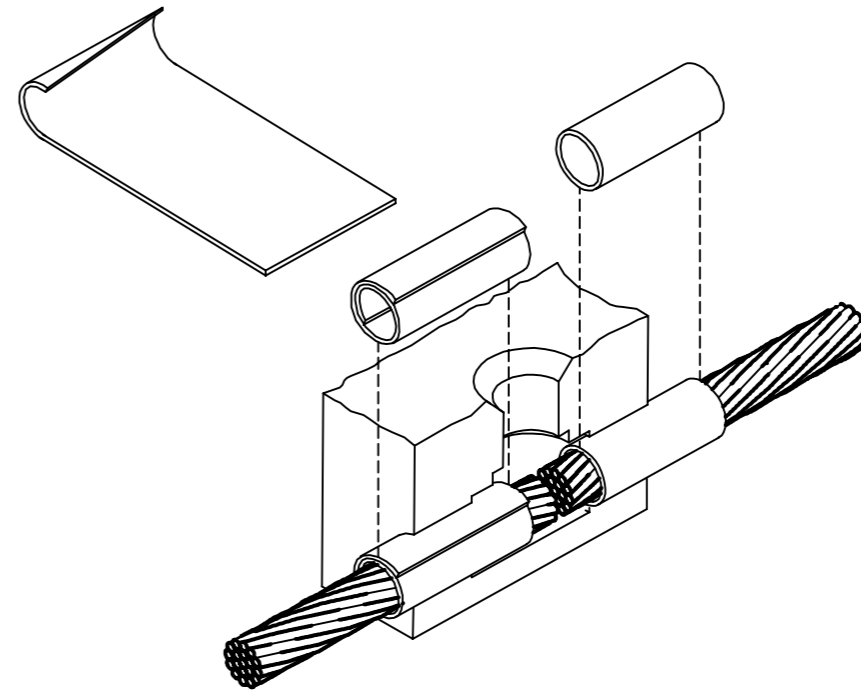


DRAWING NO.

10052328

PART NUMBER	BURNDY ITEM NUMBER	FOR USE ON CABLE SIZE		USE IN MOLD SIZE	SLEEVE DIMENSIONS		
		STRANDED	SOLID		I.D.	O.D.	LENGTH
BA-200	10050347	#12, #14	#10, #12, #14	#6 STR & SOL	.111	.156	1.00
BA-208	10050348	#9, #10	#8, #9, #10	#4 SOL	.140	.203	1.00
BA-201	10050349	#7, #8, #10	#6, #8	#4	.177	.227	1.00
BA-202	10050350	#6	#5	#2	.198	.292	1.00
BA-207	10050351	#4, #5	#3, #4	#2	.246	.302	1.00
BA-204	10050352	#4	#2	#1	.246	.340	1.00
BA-203	10050353	#2	#1	1/0	.307	.370	1.00
BA-209	10050354	#1	1/0	2/0	.359	.420	1.00
BA-205	10050355	1/0, #1	2/0	3/0 & 4/0 SOL	.385	.469	1.00
BA-240	10050356	2/0, 1/0	3/0	4/0	.437	.524	1.50
BA-211	10050357	4/0	---	300 kcmil	.545	.625	1.25
BA-212	10050358	250 kcmil	---	350 kcmil	.595	.677	1.25
BA-213	10050359	350, 400 kcmil	---	500 kcmil	.762	.811	1.50
BA-214	10050360	250, 300, 350 kcmil	---	500 kcmil	.700	.811	1.50
BA-215	10050361	750, 800 kcmil	---	1000 kcmil	1.05	1.156	1.50
BA-206	10050362	2/0	---	M-2500 ONLY	.455	.515	1.00
BA-241	10050363	4/0	---	M-2501 ONLY	.545	.625	1.00

REV.	DATE	DESCRIPTION	ECO	BY	C'K'D.
B	08/02/13	LOGO UPDATED	32738	RK	MB



NOTES:

- BURNDYWeld™ MOLDS DESIGNED FOR LARGER CABLE SIZES CAN BE USED ON SMALLER DIAMETER CABLES IF COPPER ADAPTOR SLEEVES OR SHIM STOCK ARE UTILIZED. THE COPPER SHIM STOCK, .0108" X 1-1/2" X 3", IS NORMALLY WRAPPED AROUND CABLE UNTIL THE DIAMETER IS ABOUT EQUAL TO THE CABLE OPENING. A TIGHT FIT IS NOT NECESSARY AS THE SHIM STOCK WILL UNWRAP SLIGHTLY AND PREVENT LEAKAGE OF WELD METAL. TO ORDER SHIM STOCK USE PART #B38-0329-00. SHIM STOCK COMES 100 PIECES PER BOX.

TO ORDER BURNDY® PRODUCTS CALL
1-800-346-4175 (LONDONDERRY, NH)

CANADA:
1-800-361-6975 (QUEBEC)
1-800-387-6487 (ALL OTHER PROVINCES)

FOR PRODUCT INFO: <http://www.burndy.com>

BURNDYWeld™ COPPER ADAPTOR SLEEVE

ITEM NO: N/A

CAT NO: BA---- (TABLE)

SCALE: N/A

DRAWN BY: P LAPONIUS 12/8/04

CHECKER: D SHIBILIA 1/3/05

DSN APPVL: D SHIBILIA 1/13/05

MFG APPVL: --

QC APPVL: J BRODEUR 1/14/05

MKT APPVL: R ROBICHEAU 1/18/05

PROD FAM: --

PROJECT #: --

DOCUMENT TYPE: Sales

REL LEVEL: Released

BURNDY

DRAWING NO

10052328

SHEET 1 OF 1

REV
B