

BILL OF MATERIAL

PT NO.	ITEM NUMBER	CATALOG NO.	QTY	DESCRIPTION
1	10046728	PAT81KFT18V	1	PATRIOT® 4 POINT HYDRAULIC BATTERY TOOL
2	10053578	PT10053579	1	CASE, PAT81KFT18V
3	10039258	PATCHGR18V	1	CHARGER, BATTERY PAT600-18V
4	26002820	BAT18V	2	BATTERY, 18 VOLT 2.6AH
5	427041	PT208620	1	LANYARD
6	428087	PT20443801	1	FIVE YEAR WARRANTY CARD
7	10052037	PT1002430	1	LABEL, CASE PAT81KFT-18V
8	10046728	PAT81KFT18VOMI	1	SOMI, PAT81KFT-18V

PAT81KFT-18V SPECIFICATIONS

CRIMP FORCE	6 TON (5.4 METRIC TONS)
TOOL WEIGHT	14 LBS. (6.35 kg)
LENGTH	17.6 IN. (448 mm)
WIDTH	3.7 IN. (94 mm)
HEIGHT	13.9 IN. (354 mm)
OPERATING VOLTAGE	18 V-DC
BATTERY RECHARGE TIME	45 MINS.

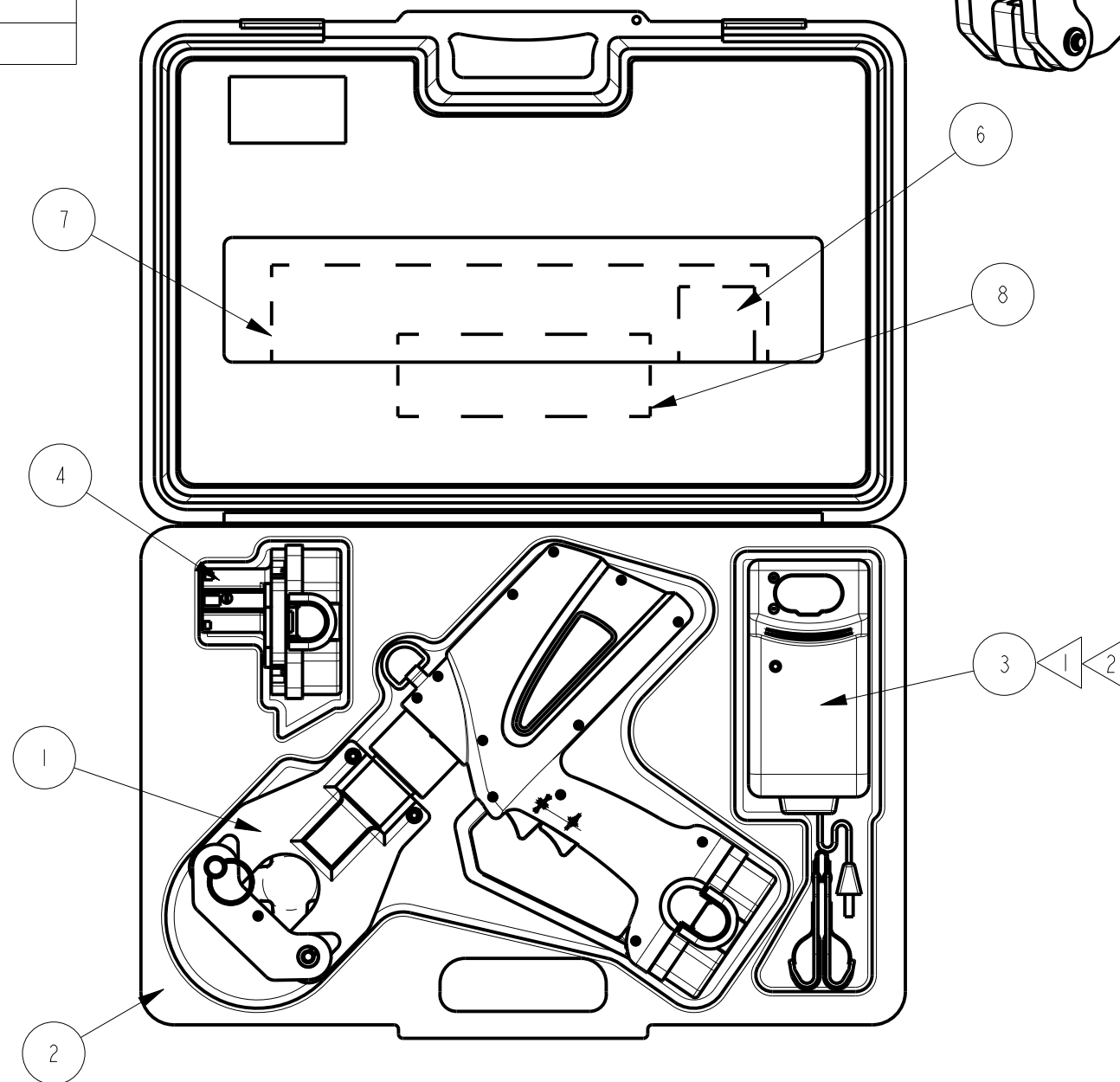
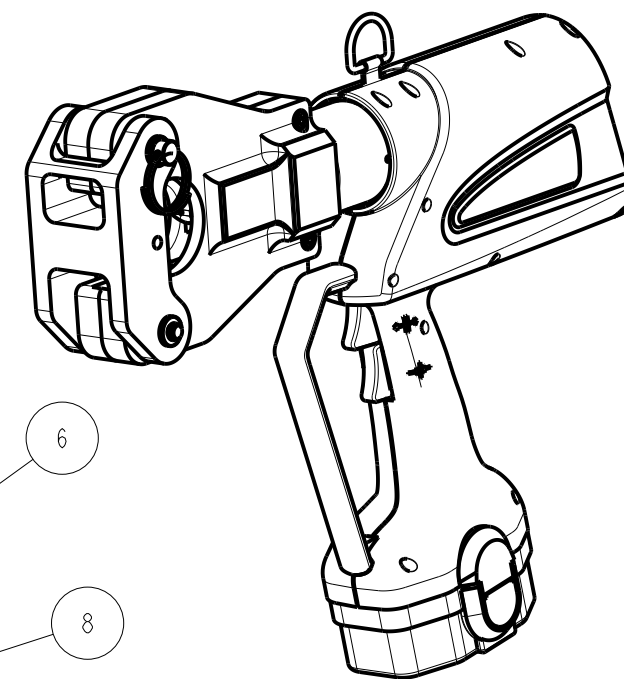
REV.	DATE	DESCRIPTION	ECO	BY	C'H'K.
C	2018-03-22 01:00:00 EDT	DRAWING RELEASED	48447	TRF	CMT

FEATURES AND BENEFITS

FEATURES	BENEFITS
-TRUE ONE-HANDED OPERATION FOR ADVANCE, RETRACT AND HOLD FUNCTION	-EASIER TOOL OPERATION
-CONSISTENT OUTPUT FORCE FROM HIGH SPEED HYDRAULIC PUMP	-RELIABLE COMPRESSION CONNECTIONS
-ROTATABLE HEAD	-ALLOWS INSTALLATION IN MOST POSITIONS
-LONG BATTERY LIFE	-SHORTER CRIMPING CYCLE / INCREASED CRIMPS PER CHARGE
-ERGONOMICALLY BALANCED TOOL	-EASES OPERATION AND HELPS LESSEN FATIGUE
-LARGE HANDLE GRIP WITH TRIGGER GUARD	-EASIER OPERATION WITH GLOVES
-INDUSTRY STANDARD BATTERY AND CHARGER	-RUGGED TIME PROVEN DESIGN AND COMPETITIVE PRICING
-AUDIBLE PRESSURE "POP-OFF" VALVE	-INDICATES PROPERLY COMPLETED CRIMPS
-TWO (2) "HIGH CAPACITY" 18V BATTERIES AND CHARGER	-ALLOWS INTERRUPTION FREE OPERATION BY CHARGING ONE BATTERY WHILE THE OTHER IS IN USE
-USES 18V NiMH BATTERIES	-CHARGING MEMORY IS NO LONGER A CONCERN
-DURABLE PLASTIC CARRY CASE	-PROVIDES SUPERIOR PROTECTION AND STORES ACCESSORIES
-5 YEAR LIMITED WARRANTY ON THE TOOL, 1 YEAR WARRANTY ON THE BATTERIES AND CHARGER	-CUSTOMER SATISFACTION AND TECHNICAL SUPPORT
-DIELESS CRIMP TECHNOLOGY	-EASIER INSTALLATION OF MANY CONNECTORS

NOTES:

- 1 ALL PATRIOT® PRODUCTS ARE AVAILABLE WITH A DC CHARGER PERMITTING THE CHARGING OF 18V DC BATTERIES WITH A 12V SYSTEM. TO ORDER ADD "DC" SUFFIX TO THE CATALOG NUMBER.
- 2 TO ORDER A 12V DC CHARGER SEPARATELY, ORDER CATALOG NUMBER BCT/PATDCCHGR. THIS CHARGER ACCOMODATES BATTERIES FROM 12V-18V.
- 3 PAT81KFT18V IS SUPPLIED WITH ONE (1) BATTERY IN TOOL & ONE (1) SPARE BATTERY IN THE CASE.



TO ORDER BURNDY® PRODUCTS CALL

UNITED STATES:
1-800-346-4175 (LONDONDERRY, NH)

CANADA:
1-800-361-6975 (QUEBEC)
1-800-387-6487 (ALL OTHER PROVINCES)

FOR PRODUCT INFO: <http://www.burndy.com>

PATRIOT® 4 POINT DIELESS TOOL

ITEM NO: --	SCALE: 1:5
CAT. NO: PAT81KFT18V	DRAWING NO
DRAWN BY: P LAPONIUS 01/06/2006	REV
CHECKER: D BOISVERT 01/06/2006	
DSN APPVL: J AYER 01/05/2006	
MFG APPVL: S GONYAW 01/05/2006	
QA APPVL: C MELANSON 01/05/2006	
MKT APPVL: R BROOKS 01/05/2006	
PROD FAM: TOOLS, BATTERY	
PROJECT #: 13204	
DOCUMENT TYPE: Sales	
REL LEVEL: Released	

BURNDY

10058021
SHEET 1 OF 1