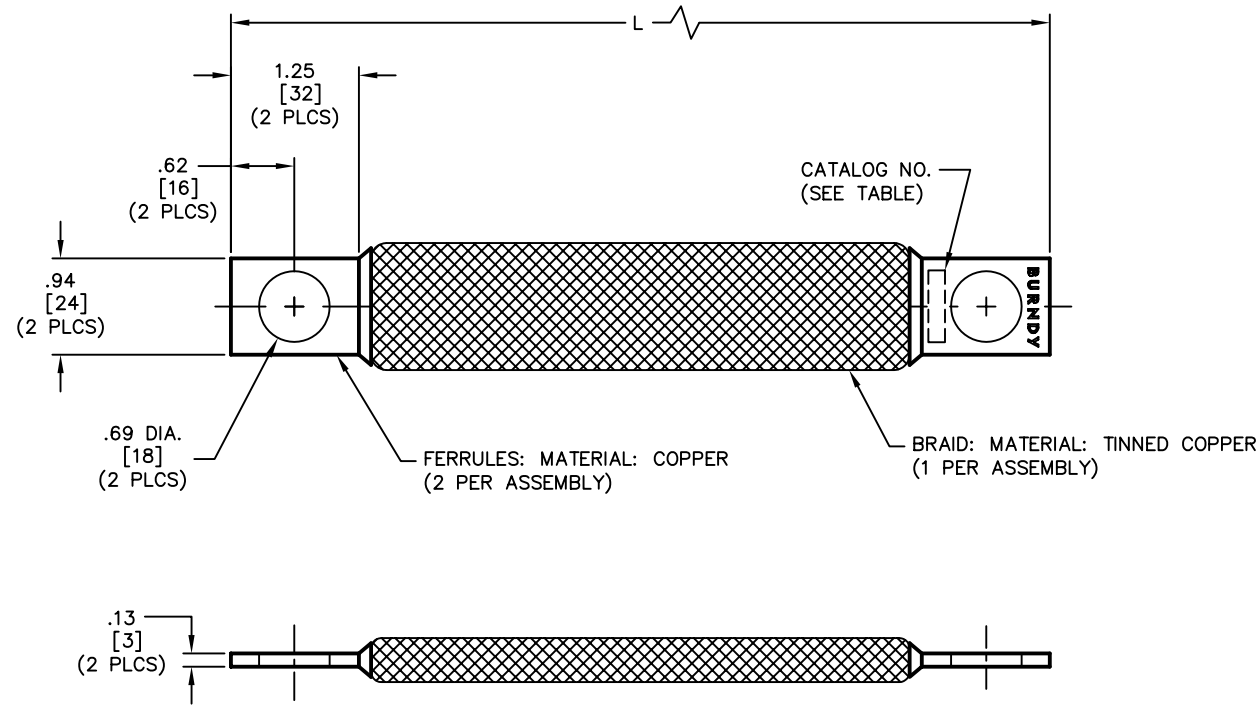


DRAWING NO. 10060680		
CATALOG NUMBER	ITEM NUMBER	L
BD8G158	25021558	8.00 [203]
BD14G158	25021557	14.00 [356]
BD24G158	25006236	24.00 [610]
BD25D25G158	10060675	25.25 [641]
BD30G158	25017854	30.00 [762]
BD36G158	25006233	36.00 [914]

REV.	DATE	DESCRIPTION	ECO	BY	C'K'D.
A	09/14/05	DRAWING RELEASED	11417	RB	PL



NOTES:

1. FINISH: ADDED CATALOG NUMBER FOLLOWED BY "TN" TO INDICATE TIN PLATED FERRULES.
 ADD CATALOG NUMBER FOLLOWED BY "W" TO INDICATE HOT TIN DIPPED FERRULES.
 ADD CATALOG NUMBER FOLLOWED BY "SV" TO INDICATE SILVER PLATED FERRULES.
 ADD CATALOG NUMBER FOLLOWED BY "NK" TO INDICATE NICKEL PLATED FERRULES.
2. APPROXIMATE AMP RATING: 190 INDOOR, 225 OUTDOOR. THIS RATING MAY VARY WITH AMBIENT CONDITIONS, ORIENTATION OF THE BRAID, AND OTHER SERVICE CONDITIONS.
3. DIMENSIONS IN BRACKETS [] ARE IN MILLIMETERS ROUNDED OFF TO THE NEAREST MILLIMETER, UNLESS OTHERWISE NOTED, AND ARE FOR REFERENCE ONLY.

TO ORDER BURNDY*PRODUCTS CALL 1-800-346-4175
 MANCHESTER, NH 03109, USA
 FOR PRODUCT INFO = <http://www.fciconnect.com>

BRAID, FLEXIBLE

ITEM NO: (TABLE)

CAT NO: BD--G158- (TABLE)

SCALE: 1/1

DRAWN BY: R.BOSCHERT 09/14/05
 CHECKER: P.J.ARONIUS 09/15/05
 DSN APPV: J.MICHAUD 09/13/05
 MFG APPV: N/A
 QC APPV: C.ACKERMAN 09/30/05
 MKT APPV: R.BROOKS 09/12/05

FCI

PROJ FAM: ---	SIZE: ---	DRAWING NO: 10060680	REV: ---
PROJECT #	SIZE: C	SHEET 1 OF 1	
DOCUMENT TYPE: Sales	REL LEVEL: AutoCAD		