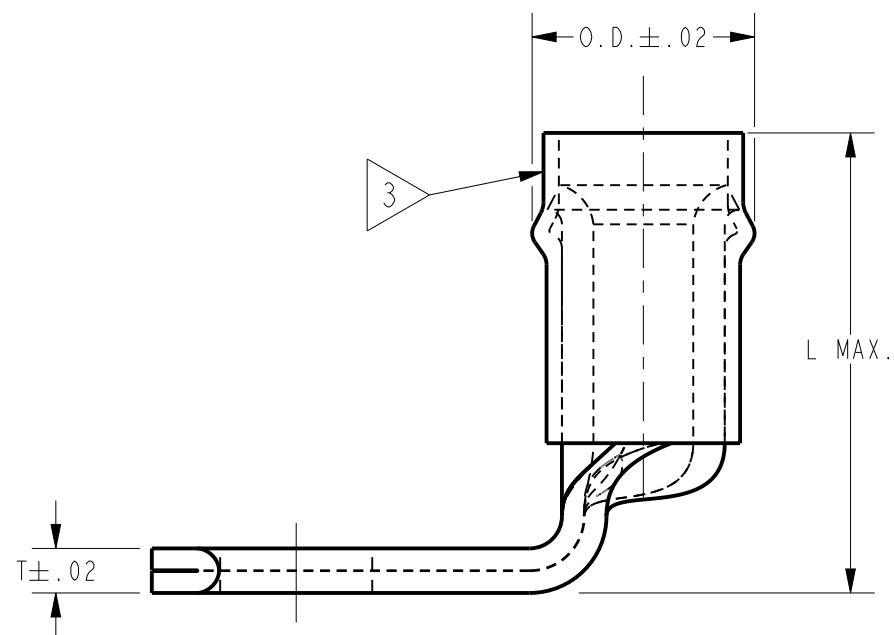
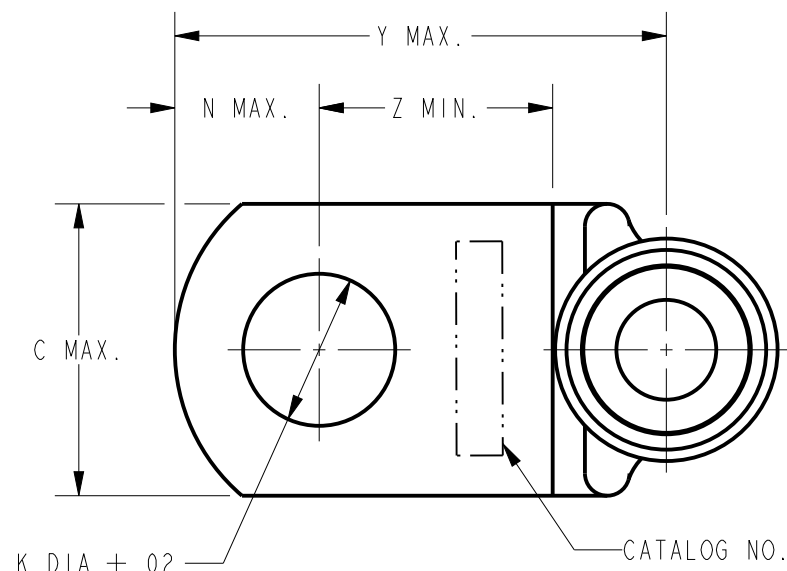


CU CONDUCTOR SIZE	CATALOG NO.	STUD SIZE	INSULATION COLOR	C MAX.	Z MIN.	Y MAX.	L MAX.	O.D.	N MAX.	K DIA.	T	INSTALLATION TOOLING	WIRE STRIP LENGTH
10 - 12 AWG	YAEV10R	8-10	YELLOW	.38 [10]	.25 [6]	.64 [16]	.63 [16]	.29 [7]	.23 [6]	.20 [5]	.06 [2]	MRE1022NV, MR8D94, MR8-33-T1, M8ND WITH N10ET-9 DIE	5/16"
10 - 12 AWG	YAEV10R2	5/16		.55 [14]	.31 [8]	.75 [19]	.71 [18]	.29 [7]	.28 [7]	.33 [8]	.04 [1]		
14 - 16 AWG	YAEV14R	8-10	BLUE	.33 [8]	.21 [5]	.58 [15]	.52 [13]	.24 [6]	.17 [4]	.20 [5]	.04 [1]	MRE1022NV, MR8D94, M8ND WITH N10ET-9 DIE	1/4"
14 - 16 AWG	YAEV14R1	6-8		.33 [8]	.21 [5]	.58 [15]	.52 [13]	.24 [6]	.17 [4]	.17 [4]	.04 [1]		

REV.	DATE	DESCRIPTION	ECO	BY	C'H'K.
F	2020-04-16 00:00:00 EDT	UPDATED AS PER MARKUP	53375	YR	SS



NOTES:

1. MATERIAL: COPPER TERMINAL.
2. FINISH: TIN PLATED TERMINAL.
3. NYLON INSULATING SLEEVE.
4. DIMENSIONS IN BRACKETS [ ] ARE IN MILLIMETERS, ROUNDED OFF TO THE NEAREST MILLIMETER, UNLESS OTHERWISE SPECIFIED, AND ARE FOR REFERENCE ONLY.

TO ORDER BURNDY® PRODUCTS CALL

UNITED STATES:  
1-800-346-4175 (LONDONDERRY, NH)

CANADA:  
1-800-361-6975 (QUEBEC)  
1-800-387-6487 (ALL OTHER PROVINCES)

FOR PRODUCT INFO: <http://www.burndy.com>

INSULUG™

ITEM NO: --

CAT. NO: YAEV--R- (SEE TABLE)

DRAWN BY: R. BOISVERT 11/10/06

CHECKER: P. LAPONIUS 11/10/06

DSN APPVL: J. MICHAUD 11/06/06

MFG APPVL: --

QA APPVL: J. BRODEUR 11/08/06

MKT APPVL: J. SYLVIA 11/06/06

PROD FAM: CM&R COMPRESSION

PROJECT #: --

DOCUMENT TYPE: Sales

REL LEVEL: Released



SCALE: 3:1

DRAWING NO

REV

SIZE 10061947

SHEET 1 OF 1

F

REV: PE0200