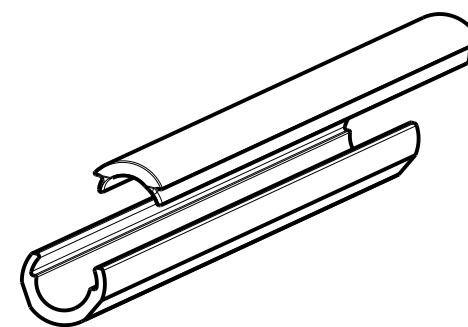


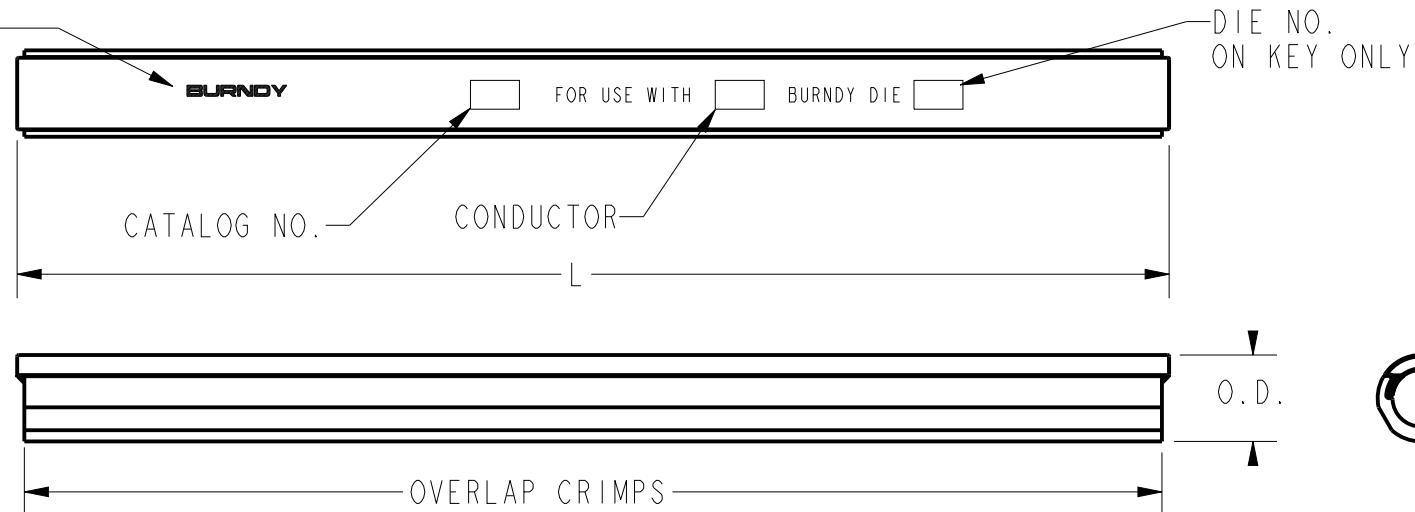
ITEM NUMBER	CATALOG NUMBER	ACCOMMODATES ACCC® CONDUCTOR	L	O.D.	INSTALLATION TOOLING (NOT INCLUDED) OVERLAP CRIMPS	
					BURNDY	
					DIE SETS	TOOL
30016909	YNU160MRACCC	HELSINKI 160, JAIPUR 165 ACCC	22.00 [559]	1.19 [30]	L717WCTC	Y60BHU OR Y60BHU-D HYPRESS™
10061228	YNU32RACCC	LINNET 431 ORIOLE 438 ACCC COPENHAGEN 230 REYKJAVIK 235 ACCC		1.19 [30]	L717W	
10108663	YNU245MRACCC	GLASGOW 245 ACCC		1.30 [33]	L719W	
10061229	YNU36RACCC	HAWK 611 ACCC CASABLANCA 285, LISBON 325 ACCC		1.40 [36]	L720W	
10061230	YNU39RACCC	DOVE 713 ACCC OSLO 330, AMSTERDAM 380 ACCC		1.50 [38]	L722W	
10061231	YNU43RACCC	GROSBEAK 816 ACCC BRUSSELS 430 ACCC	24.00 [610]	1.61 [41]	L724W	
10057908	YNU451RACCC	DRAKE 1020 ACCC STOCKHOLM 470, WARSAW 530, DUBLIN 540 ACCC		1.80 [46]	L725W	
10065620	YNU49RACCC	CARDINAL 1222 ACCC HAMBURG 570, MILAN 590, ROME 610 ACCC VIENNA 650, BUDAPEST 690, PRAGUE 710 ACCC		1.97 [50]	L727W	
10061233	YNU52RACCC	BITTERN 1572 ACCC MUNICH 760, LONDON 780, PARIS 840 ACCC		2.25 [57]	L728W	
30014328	YNU54RACCC	ANTWERP 970 ACCC		2.20 [56]	L728W	

REV.	DATE	DESCRIPTION	ECO	BY	C'H'K.
J	05/03/2013 09:12:00 AM	DRAWING UPDATE AS PER MARKUP	30617	YM	MB



TYPICAL REPAIR SLEEVE
EXPLODED VIEW

TYPICAL LETTERING
BODY AND KEY



INSIDE SURFACE
SEE NOTE #4

NOTES:

1. MATERIAL: ALUMINUM
2. DIMENSIONS IN BRACKETS [] ARE IN MILLIMETERS ROUNDED OFF TO THE NEAREST MILLIMETER, UNLESS OTHERWISE NOTED, AND ARE FOR REFERENCE ONLY.
3. PENETROX™ HT NOT INCLUDED, MAY BE PURCHASED SEPARATELY.
4. CONNECTOR IS INDIVIDUALLY PACKAGED & SEALED IN POLYTUBE.

REPAIR SLEEVE, COMPRESSION CONNECTOR FOR
(ACCC® ALUMINUM CONDUCTOR COMPOSITE CORE)

TO ORDER BURNDY® PRODUCTS CALL
UNITED STATES:
1-800-346-4175 (LONDONDERRY, NH)
CANADA:
1-800-361-6975 (QUEBEC)
1-800-387-6487 (ALL OTHER PROVINCES)
FOR PRODUCT INFO: <http://www.burndy.com>

REPAIR SLEEVE (ACCC®)	
ITEM NO:	SEE TABLE
CAT. NO:	SEE TABLE
DRAWN BY:	Dan Dobrinski/10/2005
CHECKER:	P. WALTZ 1/26/2006
DSN APPVL:	P. WALTZ 1/25/2006
MFG APPVL:	== 1/26/2006
QA APPVL:	J. BRODEUR 1/31/2006
MKT APPVL:	D. HAMILTON 1/26/2006
PROD FAM:	Transmission/YNU
PROJECT #:	13084
DOCUMENT TYPE:	Sales
REL LEVEL:	Released
SCALE:	1:4
DRAWING NO:	10062784
REV:	J
SHEET 1 OF 1	

