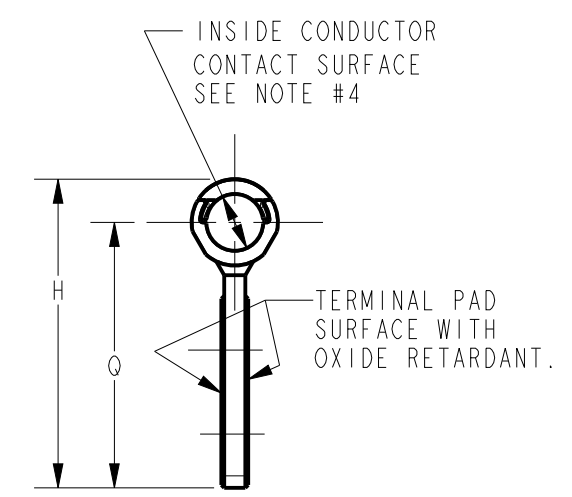
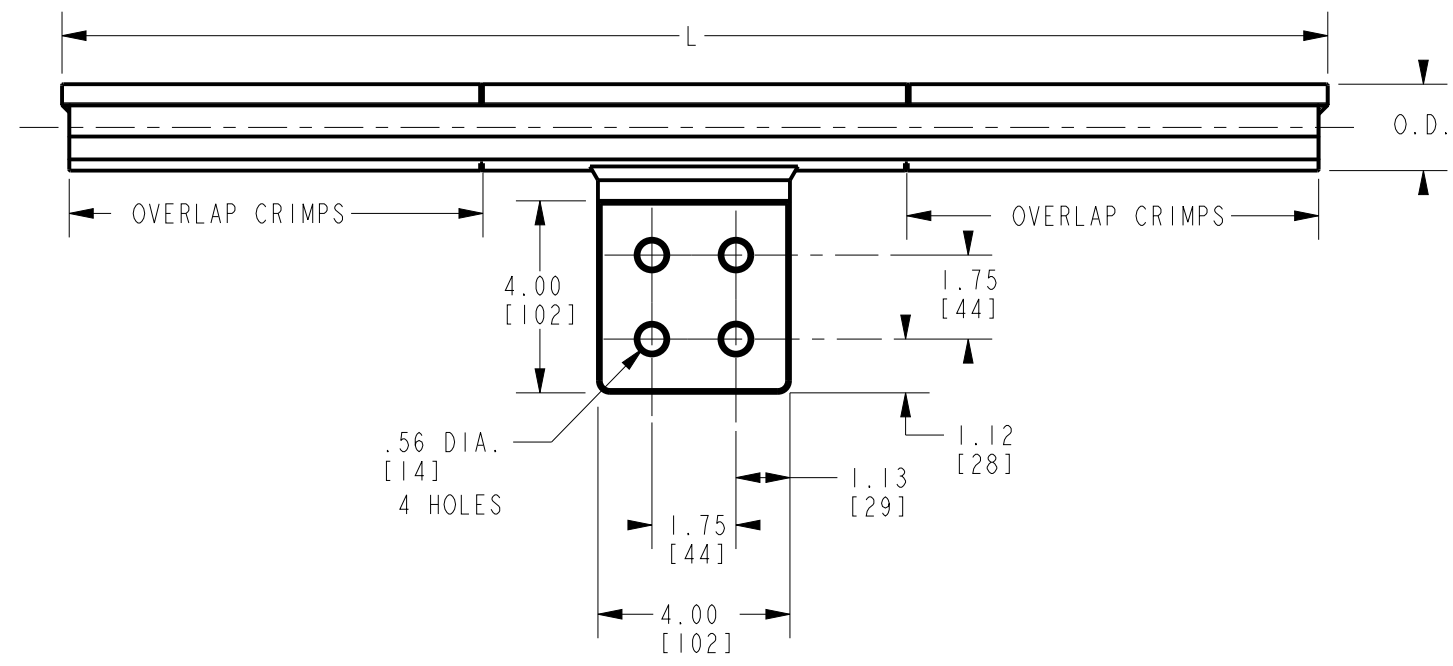
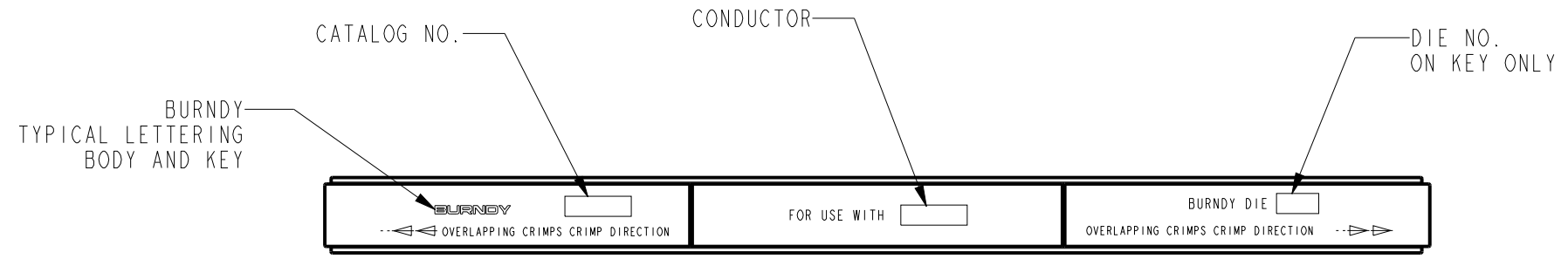


REV.	DATE	DESCRIPTION	ECO	BY	C'H'K.
H	05/02/2013 00:00:00 AM	DRAWING UPDATE AS PER MARKUP	30617	YM	MB



NOTES:

1. MATERIAL: ALUMINUM
2. DIMENSIONS IN BRACKETS [ ] ARE IN MILLIMETERS ROUNDED OFF TO THE NEAREST MILLIMETER, UNLESS OTHERWISE NOTED, AND ARE FOR REFERENCE ONLY.
3. PENETROX™ HT NOT INCLUDED, MAY BE PURCHASED SEPARATELY
4. CONNECTOR IS INDIVIDUALLY PACKAGED & SEALED IN POLYTUBE.
5. REFERENCE: SD066666-01 CONNECTOR INSTALLATION INSTRUCTIONS

TERMINAL TEE TAP, COMPRESSION CONNECTOR FOR (ACCC®) ALUMINUM CONDUCTOR COMPOSITE CORE

TO ORDER BURNDY® PRODUCTS CALL  
 UNITED STATES:  
 1-800-346-4175 (LONDONDERRY, NH)  
 CANADA:  
 1-800-361-6975 (QUEBEC)  
 1-800-387-6487 (ALL OTHER PROVINCES)  
 FOR PRODUCT INFO: <http://www.burndy.com>

TERMINAL TEE TAP (ACCC®)	
ITEM NO:	SEE TABLE ABOVE
CAT. NO:	SEE TABLE ABOVE
DRAWN BY:	Dan Dobrinski/10/2005
CHECKER:	P. WALTZ 1/26/2006
DSN APPVL:	P. WALTZ 1/25/2006
MFG APPVL:	-- 1/26/2006
QA APPVL:	J. BRODEUR 1/31/2006
MKT APPVL:	D. HAMILTON 1/26/2006
PROD FAM:	Transmission/YNU
PROJECT #:	13084
DOCUMENT TYPE:	Sales
REL LEVEL:	Released
SCALE:	1:4
DRAWING NO:	10062785
REV:	H
SHEET 1 OF 2	

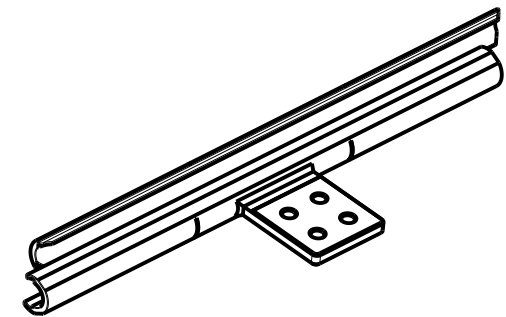


REV: PE0200

BURNDY® PRODUCTS - TERMINAL TEE TAP ACCC®

REV.	DATE	DESCRIPTION	ECO	BY	C'H'K.
H	05/02/2013 00:00:00 AM	DRAWING UPDATE AS PER MARKUP	30617	YM	MB

ITEM NUMBER	CATALOG NUMBER	ACCOMODATES ACCC® CONDUCTOR	L	H	Q	O.D.	INSTALLATION TOOLING (NOT INCLUDED) OVERLAP CRIMPS	
							BURNDY	
							DIE SET	TOOL
30001267	YNTA160MRTACCC	HELSINKI 160, JAIPUR 165 ACCC	24.92 [633]	5.82 [148]	5.23 [133]	1.19 [30]	L717WCTC	Y60BHU OR Y60BHU-D HYPRESS™
10061614	YNTA32RTACCC	LINNET 431 ORIOLE 438 ACCC COPENHAGEN 230, REYKJAVIK 235 ACCC	24.92 [633]	5.82 [148]	5.23 [133]	1.19 [30]	L717W	
10108662	YNTA245MRTACCC	GLASGOW 245 ACCC	25.50 [648]	5.93 [151]	5.28 [134]	1.30 [33]	L719W	
10101502	YNTA36RTACCC	HAWK 611 ACCC CASABLANCA 285, LISBON 325 ACCC	25.50 [648]	6.03 [153]	5.33 [135]	1.40 [36]	L720W	
10061616	YNTA39RTACCC	DOVE 713 ACCC OSLO 330, AMSTERDAM 380 ACCC	26.06 [662]	6.13 [156]	5.38 [137]	1.50 [38]	L722W	
10061617	YNTA43RTACCC	GROSBEAK 816 ACCC BRUSSELS 430 ACCC	26.28 [667]	6.24 [158]	5.44 [138]	1.61 [41]	L724W	
10057907	YNTA451RTACCC	DRAKE 1020 ACCC STOCKHOLM 470, WARSAW 530, DUBLIN 540 ACCC	26.38 [670]	6.43 [163]	5.53 [140]	1.80 [46]	L725W	
10061618	YNTA49RTACCC	CARDINAL 1222 ACCC HAMBURG 570, MILAN 590, ROME 610 ACCC VIENNA 650, BUDAPEST 690, PRAGUE 710 ACCC	26.36 [669]	6.60 [168]	5.62 [143]	1.97 [50]	L727W	
10061619	YNTA52RTACCC	BITTERN 1572 ACCC MUNICH 760, LONDON 780, PARIS 840 ACCC	29.32 [745]	7.00 [179]	5.88 [149]	2.25 [57]	L728W	
10108664	YNTA1050MRTACCC	MADRID 1050 ACCC	31.00 [787]	7.25 [184]	6.13 [156]	2.50 [64]	L735W	



TYPICAL TERMINAL TEE TAP EXPLODED VIEW

REV: PE0200

TO ORDER BURNDY® PRODUCTS CALL  
 UNITED STATES:  
 1-800-346-4175 (LONDONDERRY, NH)  
 CANADA:  
 1-800-361-6975 (QUEBEC)  
 1-800-387-6487 (ALL OTHER PROVINCES)  
 FOR PRODUCT INFO: <http://www.burndy.com>

TERMINAL TEE TAP (ACCC®)	
ITEM NO: SEE TABLE ABOVE	
CAT. NO: SEE TABLE ABOVE	
DRAWN BY: Dan Dobrinski/10/2005	
CHECKER: P. WALTZ 1/26/2006	
DSN APPVL: P. WALTZ 1/25/2006	
MFG APPVL: -- 1/26/2006	
QA APPVL: J. BRODEUR 1/31/2006	
MKT APPVL: D. HAMILTON 1/26/2006	
PROD FAM: Transmission/YNU	
PROJECT #: 13084	SCALE: 1:4
DOCUMENT TYPE: Sales	DRAWING NO
REL LEVEL: Released	10062785
	REV
	H
	SHEET 2 OF 2