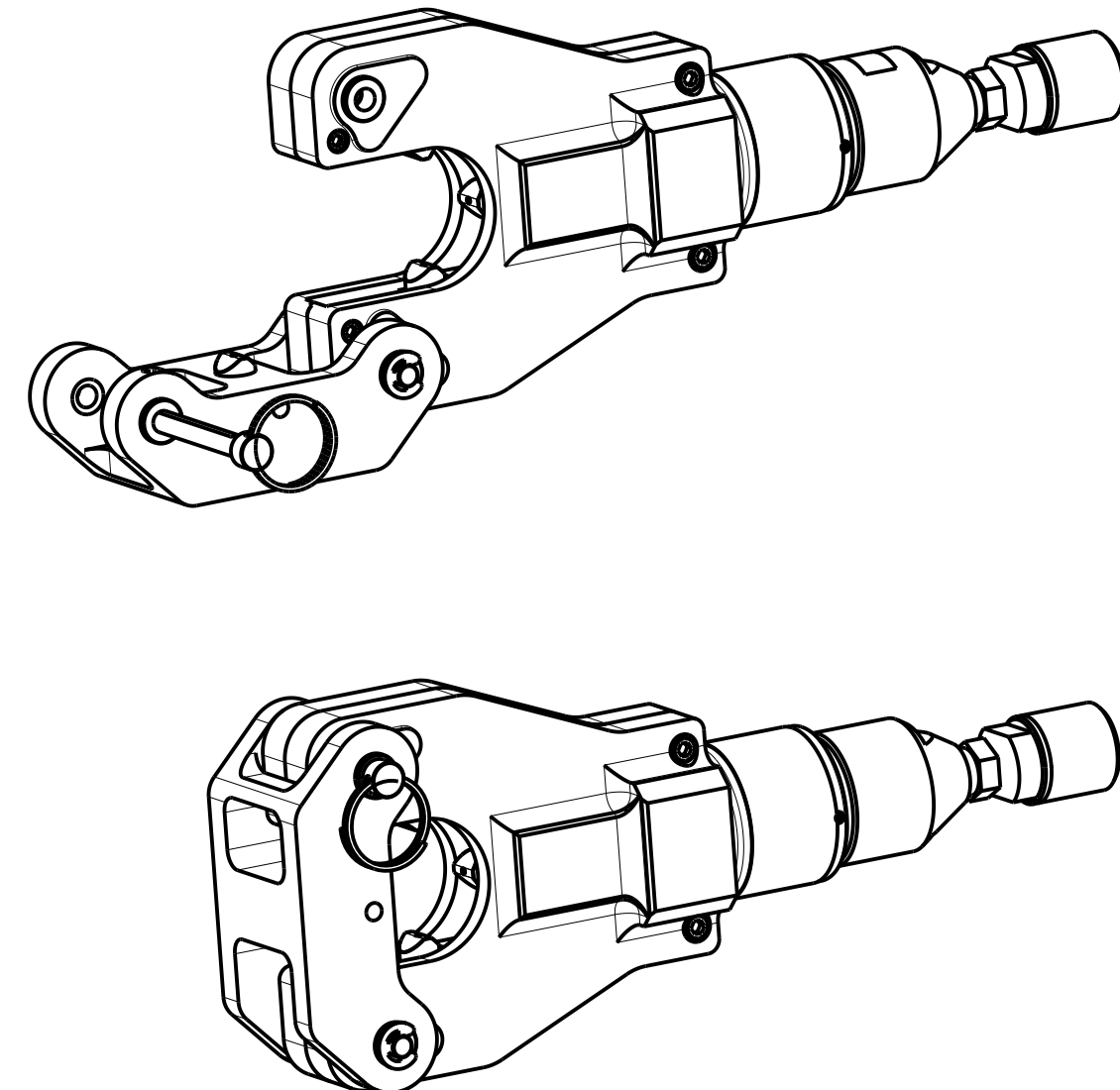
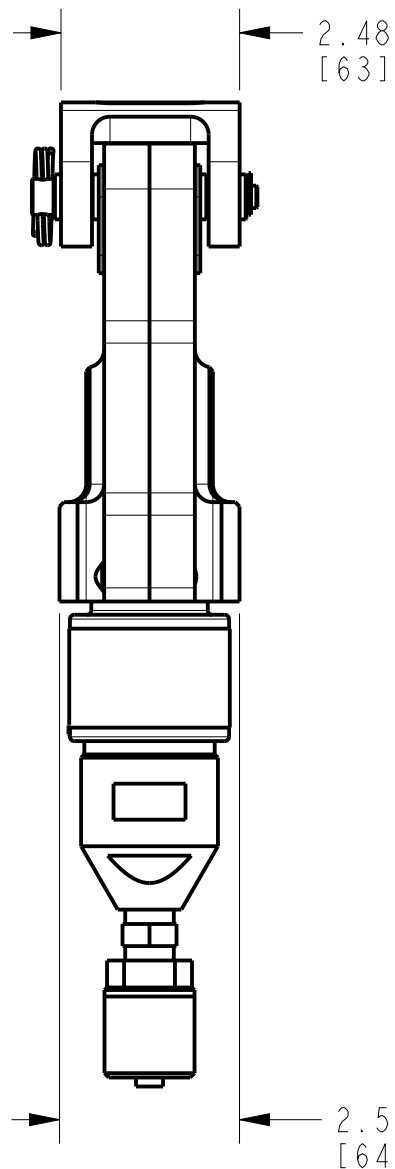
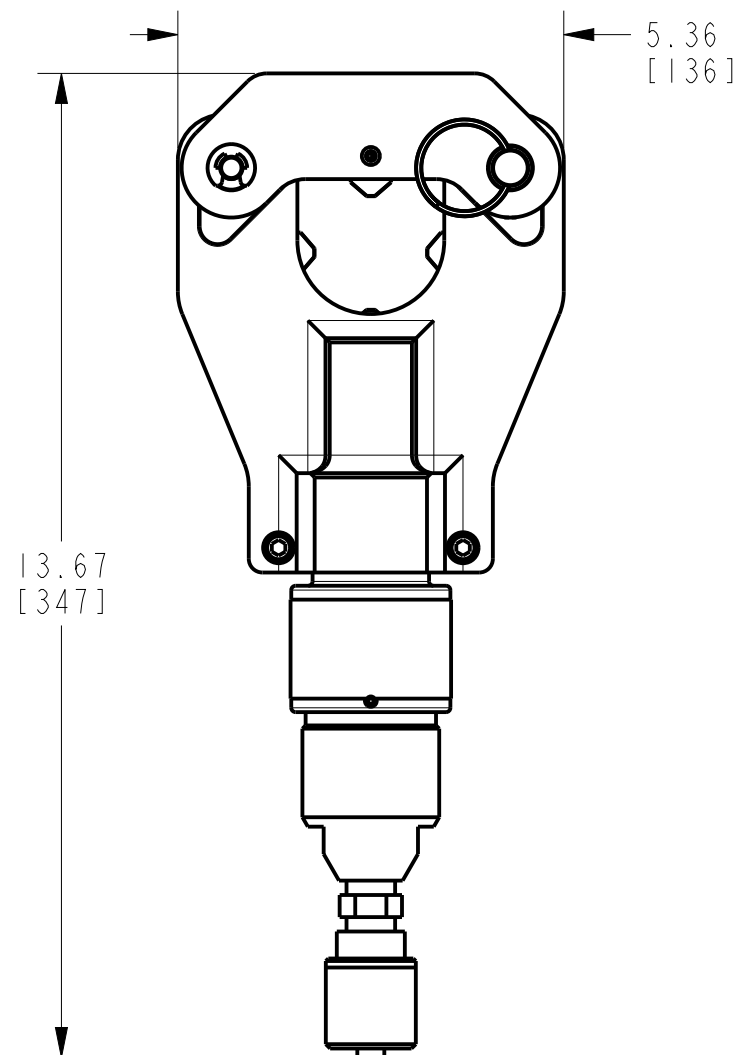


*** BILL OF MATERIAL ***

PT. #	ITEM NO.	CATALOG NO.	QTY.	DESCRIPTION
1	10046730	Y81KFTMBH	1	4 POINT TOOL
2	411250	PT11148	1	3/8 MALE PIPE COUPLING
3	416229	PT94	1	MALE TIP
4	431089	PT11001	1	DUST CAP - FEMALE
5	428087	PT20443801	1	FIVE YEAR WARRANTY CARD
6	10054099	Y81KFTMBHOMI	1	SOMI
7	10054093	PT10054094	1	CARRYING BAG

REV.	DATE	DESCRIPTION	ECO	BY	C'H'K.
D	03/09/2016 00:00:00 AM	DRAWING RELEASED	42094	TRF	MAC



FEATURES AND BENEFITS

Features	Benefits
- Flip latch head	- Provides easy tool removal from continuous conductors.
- Dieless system	- Eliminates the need to purchase and maintain dies.
- Rotational head	- Versatile tool head positioning, allows user access into tight areas with ease.

SPECIFICATIONS - TOOL

Output Force:.....6 TONS (5.4 METRIC TONS)
 Weight:.....8.5 lbs. (3.86 kg)
 Head Width:.....5.4" (138 mm)
 Operating Pressure:.....10,000 psi (68.9 MPa)
 Overall Length:.....13.7" (347 mm)

TO ORDER BURNDY® PRODUCTS CALL
 UNITED STATES:
 1-800-346-4175 (LONDONDERRY, NH)

CANADA:
 1-800-361-6975 (QUEBEC)
 1-800-387-6487 (ALL OTHER PROVINCES)

FOR PRODUCT INFO: <http://www.burndy.com>

DIELESS HYPRESS 4 POINT REMOTE TOOL

ITEM NO: 10046730	
CAT. NO: Y81KFTMBH	
DRAWN BY: P LAPONIUS 01/05/2006	
CHECKER: D BOISVERT 01/05/2006	
DSN APPVL: J AYER 01/06/2006	
MFG APPVL: S GONYAW 01/06/2006	
QA APPVL: C MELANSON 01/06/2006	
MKT APPVL: R BROOKS 01/06/2006	
PROD FAM: TOOLS, HYDRAULIC	SCALE: 3:8
PROJECT #: 13217	DRAWING NO
DOCUMENT TYPE: Sales	REV
REL LEVEL: Released	



REV: PE0200