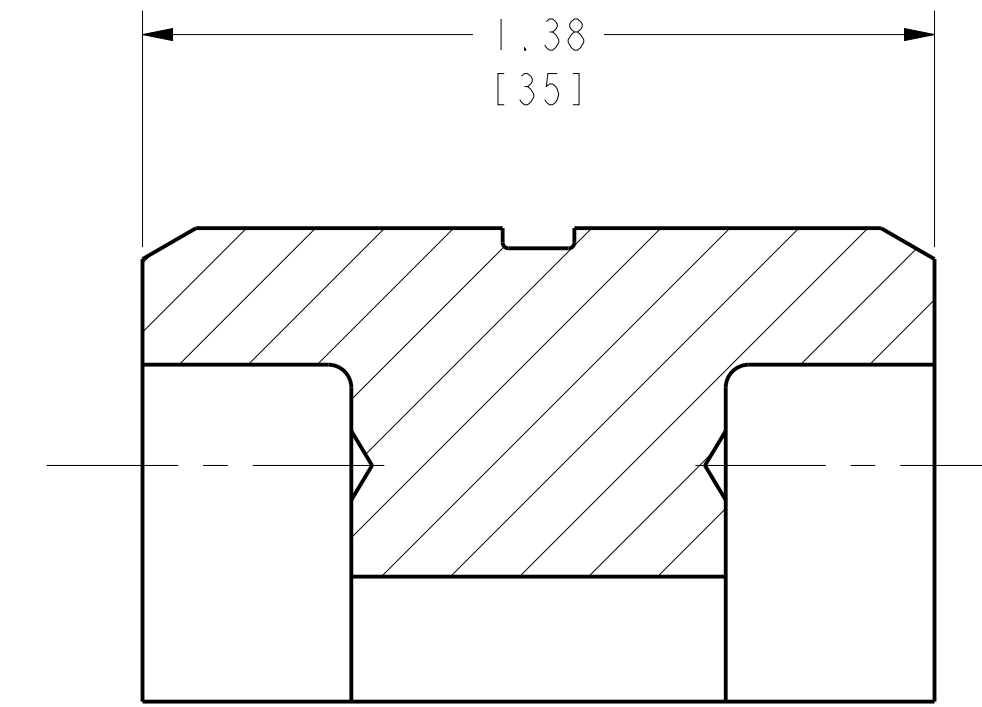
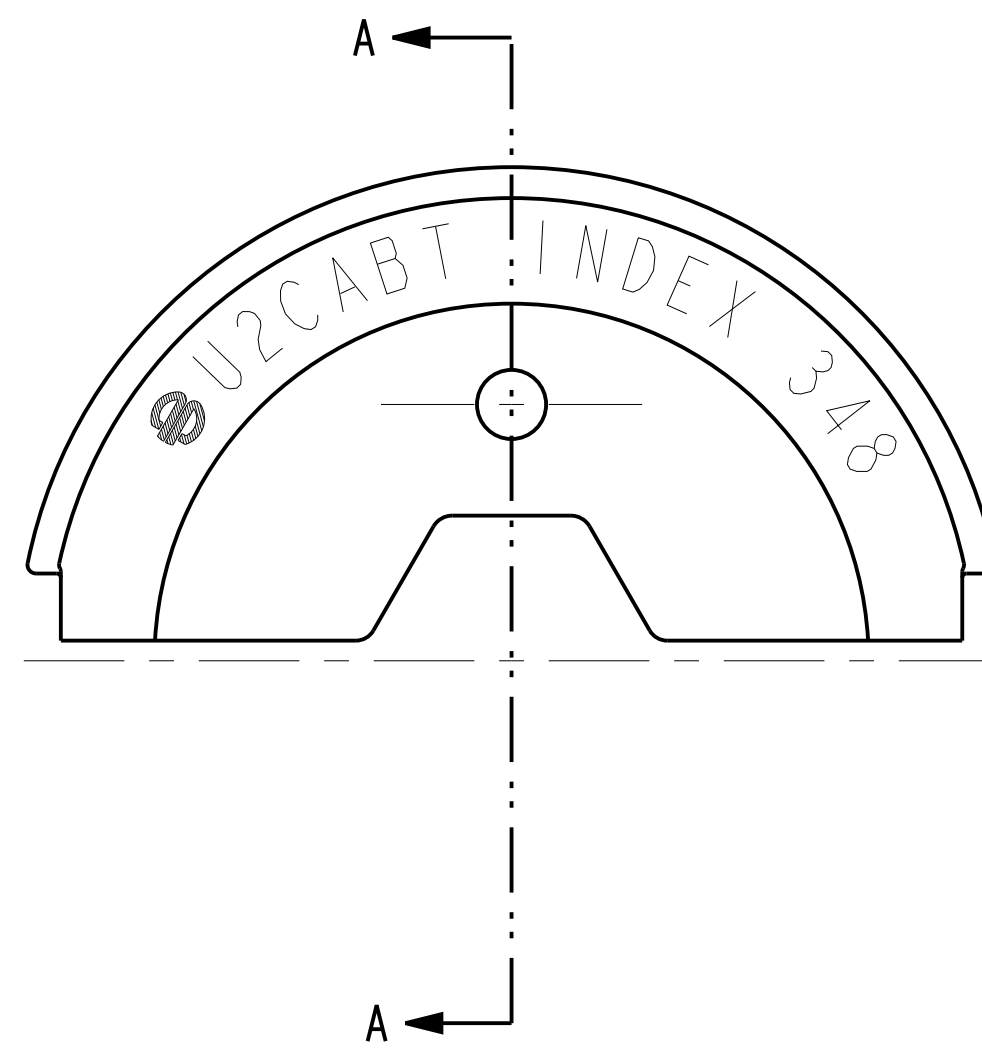
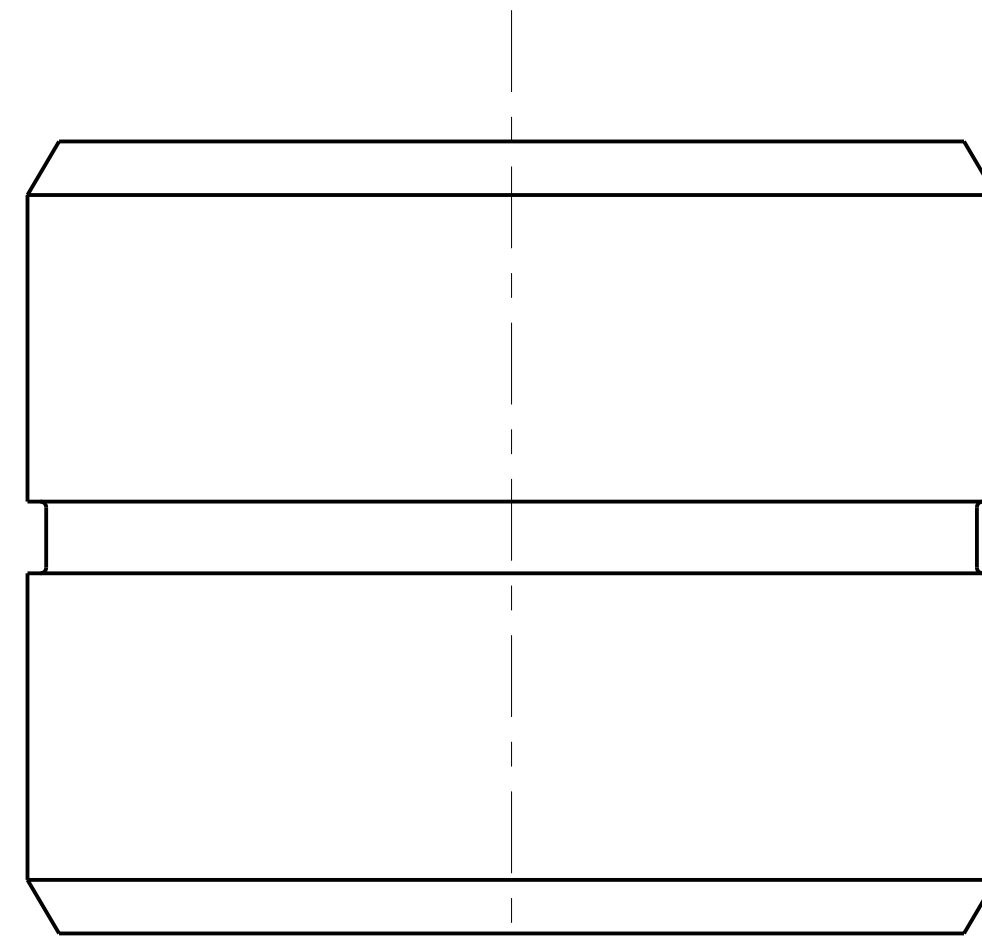
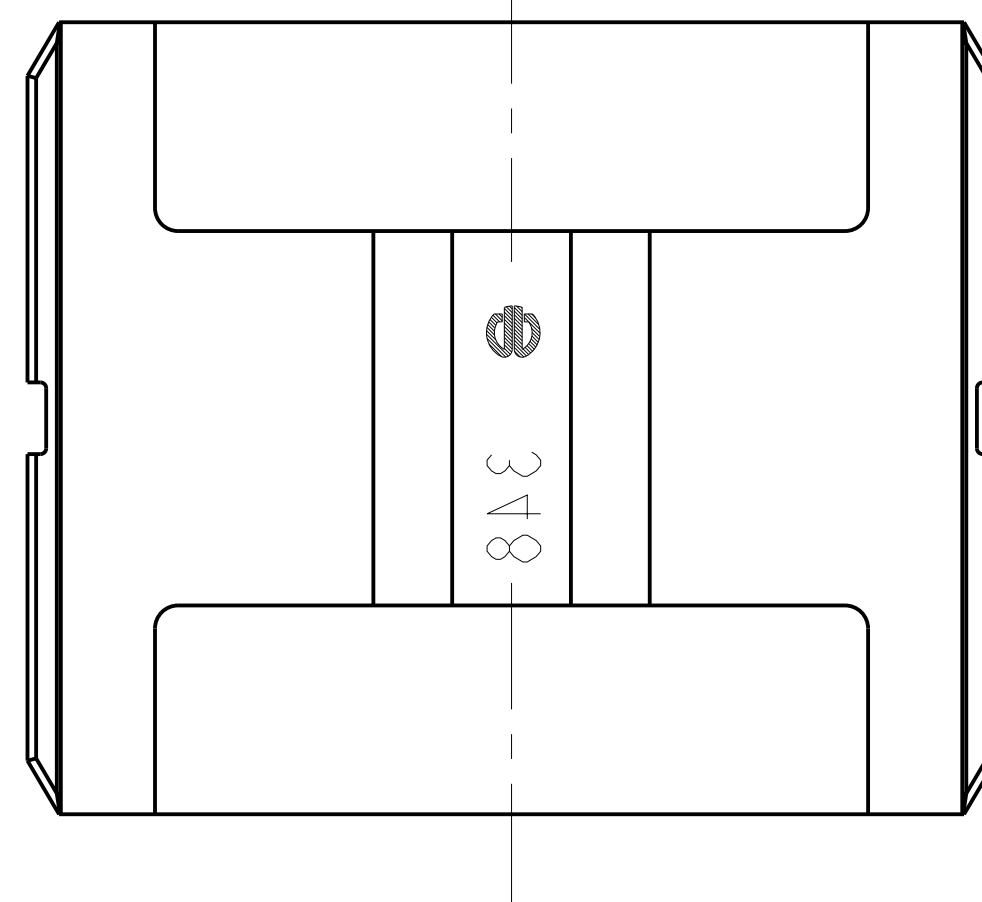
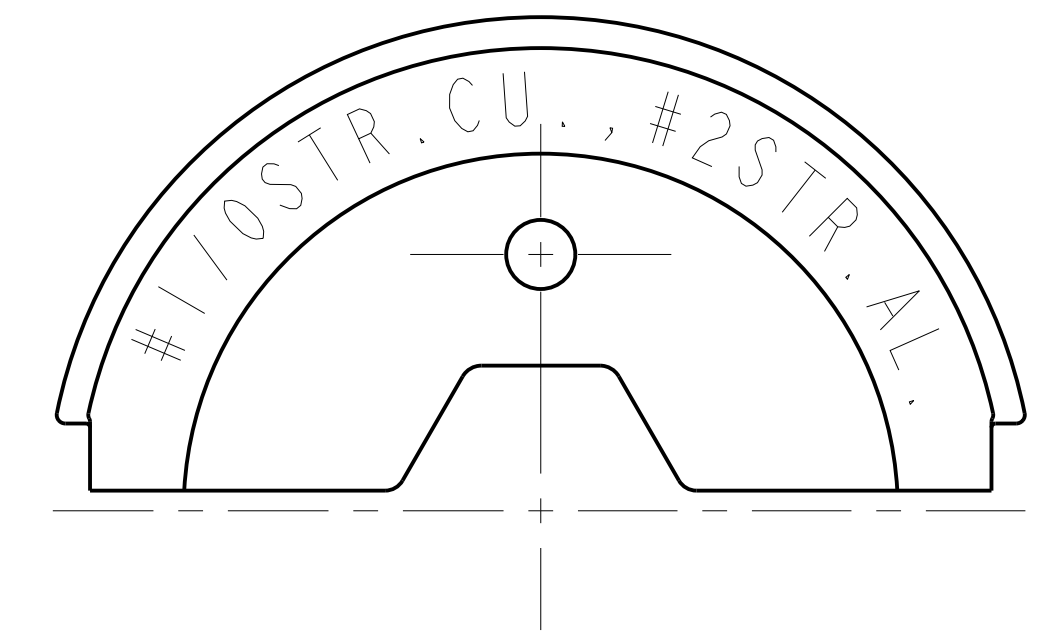


REV	DATE	DESCRIPTION	ECO	BY	C.H.K.
B	08/06/2013 00:00:00 AM	DRAWING RELEASED	32665	VS	MB



SECTION A-A



NOTES:

- 1 CATALOG NUMBER U2CABT CONSISTS OF TWO U2CAB SINGLE DIES AS SHOWN.
- 2 DIMENSIONS IN BRACKETS [] ARE IN MILLIMETERS ROUNDED OFF TO THE NEAREST MILLIMETER, UNLESS OTHERWISE SPECIFIED AND ARE FOR REFERENCE ONLY.

TO ORDER BURNDY® PRODUCTS CALL UNITED STATES 1-800-346-4175 (LONDONDERRY, NH) CANADA: 1-800-361-6975 (QUEBEC) 1-800-387-6487 (ALL OTHER PROVINCES) FOR PRODUCT INFO: http://www.burndy.com		HEXAGONAL BUTTING TWIN DIE	
		ITEM NO: 421295 CAT. NO: U2CABT	SCALE: 3:1
DRAWN BY: P. LAPONIUS 1/16/2006 CHECKER: BM 1/17/2006 DSN APPVL: C. CHADBOURNE 1/12/2006 MFG APPVL: -- -- QA APPVL: J. BRODEUR 1/13/2006 MKT APPVL: P. THERRIEN 1/12/2006		BURNDY	
PROJECT #: -- DOCUMENT TYPE: Sales REL LEVEL: Released	SIZE: D	DRAWING NO: 10065150 SHEET 1 OF 1	REV: B

D

D

C

C

B

B

A

A

REV: PEO200