

REV.	DATE	DESCRIPTION	ECO	BY	C'H'K.
C	2019-09-12 01:00:00 EDT	DRAWING RELEASED	52157	TRF	LNB

CATALOG NO.	QTY	DESCRIPTION
I25X625RLPNHD	1	PIN, COILED SPRING 1/8 X 5/8
USALABELNH	1	LABEL, USA (NH)
PT10054094	1	CARRYING BAG
RHCC245CUALOMI	1	SOMI, CUTTER REMOTE RHCC245CUAL
PT20443801	1	WARRANTY CARD
BUBBLEPAK32424	1	BUBBLE PACK
CTNBCC	1	SHIPPING CTN 15X9X5.5

SPECIFICATION:

INPUT PRESSURE: 10,000 PSI
 OUTPUT FORCE: 7 TONS (6.35 METRIC TONS)
 TOOL WEIGHT: 8.4 LBS (3.8 kg)

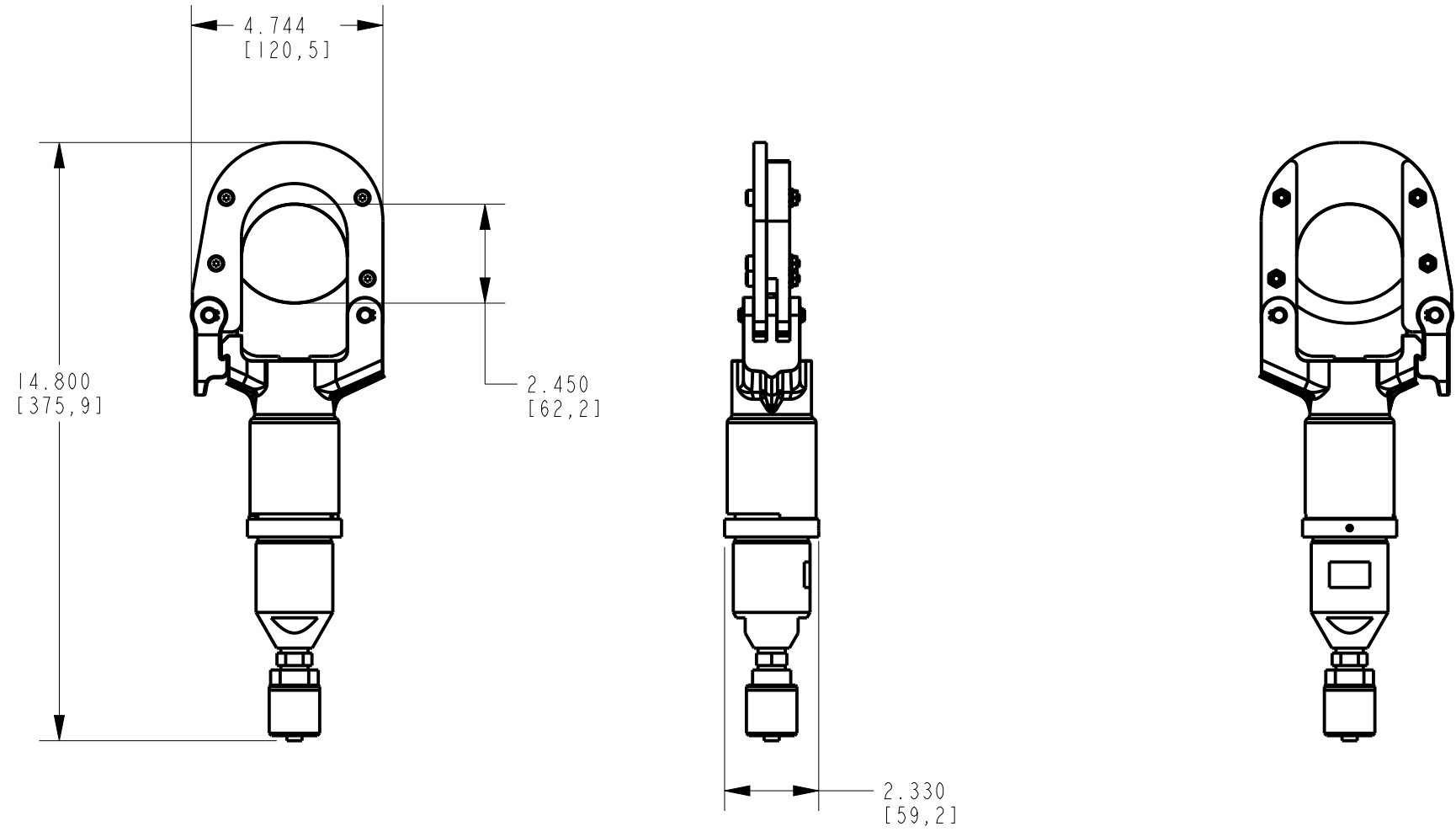
FOR USE ON

COPPER & ALUMINUM UP TO 2.45" O.D. (62 MM) ONLY.

WARNING!

THIS CUTTER IS NOT CAPABLE OF CUTTING THE FOLLOWING:

- ACSR
- GROUND ROD
- REBAR
- SOFT STEEL BOLTS
- STANDARD GUY WIRE
- EHS GUY WIRE



FEATURES AND BENEFITS

- TRUE ONE HANDED OPERATION: USER HAS ONE HAND FREE TO MANIPULATE MATERIAL TO BE CUT
- SPECIAL LATCH HEAD DESIGN: PROVIDES INTERFERENCE FREE CLOSURE FOR MID-SPAN CUTS
- 180-DEGREE HEAD ROTATION: LETS USERS GET INTO TIGHT AREAS EASILY
- 5 YEAR LIMITED WARRANTY ON THE TOOL, EXCLUDING BLADES.

1 READ AND FOLLOW ALL INSTRUCTIONS PROVIDED BY THE OPERATORS MANUAL, AND WARNING LABELS BEFORE USING THIS TOOL.

TO ORDER BURNDY® PRODUCTS CALL
 UNITED STATES:
 1-800-346-4175 (LONDONDERRY, NH)
 CANADA:
 1-800-361-6975 (QUEBEC)
 1-800-387-6487 (ALL OTHER PROVINCES)
 FOR PRODUCT INFO: <http://www.burndy.com>

RHCC245CUAL	
ITEM NO:	10066786
CAT. NO:	RHCC245CUAL
DRAWN BY:	M. FAUCHER 06/15/06
CHECKER:	C. CHADBOURNE 03/20/06
DSN APPVL:	C. CHADBOURNE 04/05/06
MFG APPVL:	B. BENEDICT 03/21/06
QA APPVL:	C. MELANSON 04/19/06
MKT APPVL:	R POIRIER 05/01/06
PROD FAM:	TOOLS, HYDRAULIC
PROJECT #:	--
DOCUMENT TYPE:	Sales
REL LEVEL:	Released
SCALE:	1:4
DRAWING NO	10067187
REV	C
SHEET 1 OF 1	



REV: PE0200