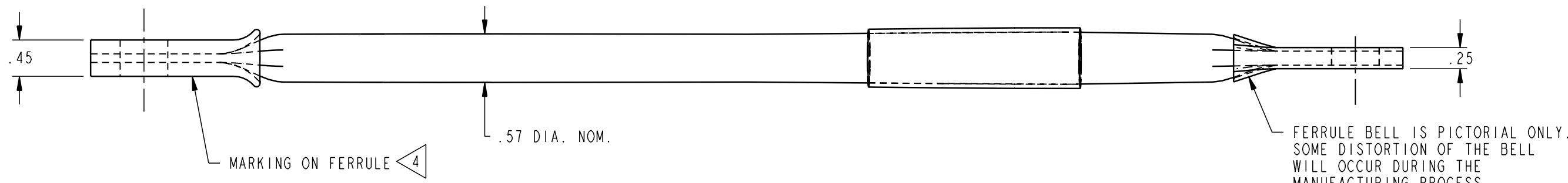
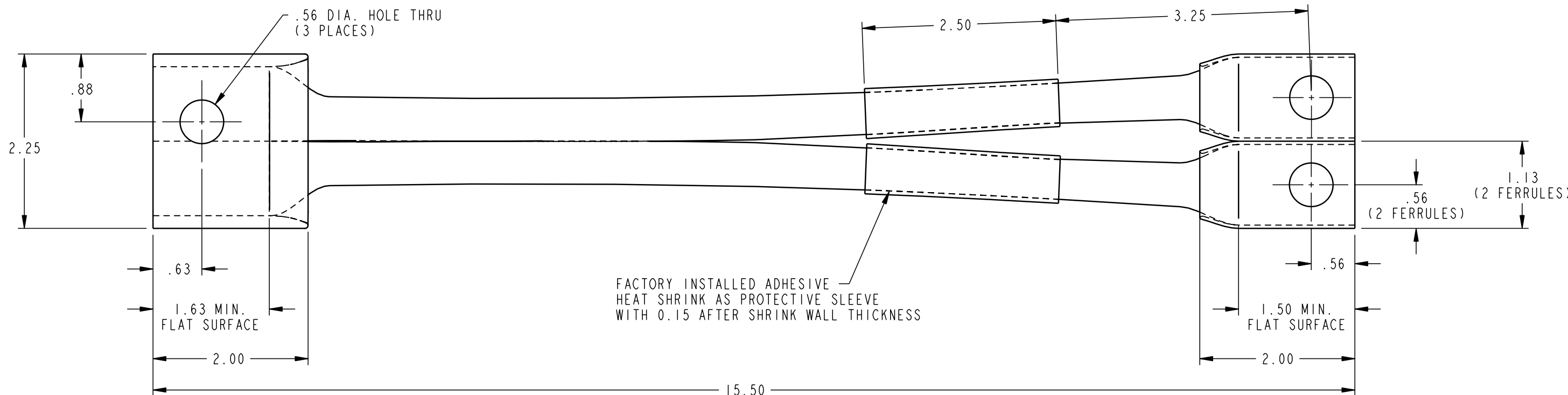


REV.	DATE	DESCRIPTION	ECO	BY	C'H'K.
B	11/21/2008 10:25:00 AM	CHANGE DIM. 3.26 TO 3.25 PER W/U.	17029	RLB	PRL



NOTES:

- 1) ALL DIMENSIONS IN INCHES UNLESS OTHERWISE SPECIFIED.
- 2) MATERIALS:
 FERRULES - COPPER
 ROPE-LAY STRANDED CABLE - TIN-PLATED COPPER
- 3) FINISH: TIN-PLATE THE FERRULES
- 4) MARKINGS ETCHED ONTO SURFACE OF FERRULE:
 CATALOG NUMBER
 MANUFACTURER'S MARK
- 5) ALL SHUNT CONTACT SURFACES TO BE COVERED WITH PENETROX™ E OXIDE INHIBITOR PRIOR TO SHUNT ASSEMBLY (BY BOMBARDIER)
- 6) RECOMMENDED BOLT TORQUE VALUE FOR 1/2"-13 BOLT: 480 IN-LBS
- 7) DESIGN AMPACITY: 750 AMPS DC
- 8) WEIGHT: 2.0 LBS.
- 9) THIS PART REPLACES MNR FLEXIBLE SHOE SHUNT #15M0620001 IN ORDER TO MEET A HIGHER DESIGN AMPACITY.
- 10) THIS PART MUST FIT IN THE MNR CONTACT SHOE MECHANISM ASSEMBLY #15M0620002. PART REPLACEMENT SHOULD NOT REQUIRE MNR CONTACT SHOE MECHANISM DISASSEMBLY.

TO ORDER BURNDY® PRODUCTS CALL		CONT. SHOE SHUNT w/PROTECTIVE SLEEVE	
UNITED STATES:		ITEM NO: 10069260	
1-800-346-4175 (LONDONDERRY, NH)		CAT. NO: CY27L15D5TNG2	
CANADA:		DRAWN BY: PW 05/09/06	
1-800-361-6975 (QUEBEC)		CHECKER: J. PARKER 09/26/08	
1-800-387-6487 (ALL OTHER PROVINCES)		DSN APPVL: J. PARKER 09/10/08	
FOR PRODUCT INFO: http://www.fciconnect.com		MFG APPVL: L. LEAVITT 09/11/08	
		QA APPVL: J. BRODEUR 09/15/08	
		MKT APPVL: D. FAN 09/11/08	
		SCALE: 0.750	
		DRAWING NO	
		PROJECT #:	
		SIZE	
		10069005	
		DOCUMENT TYPE:	
		REL LEVEL: Released	
		DRAWING NO	
		REV	
		B	
		SHEET 1 OF 1	

REV: PE0200