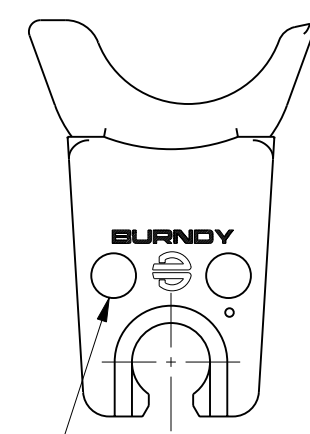
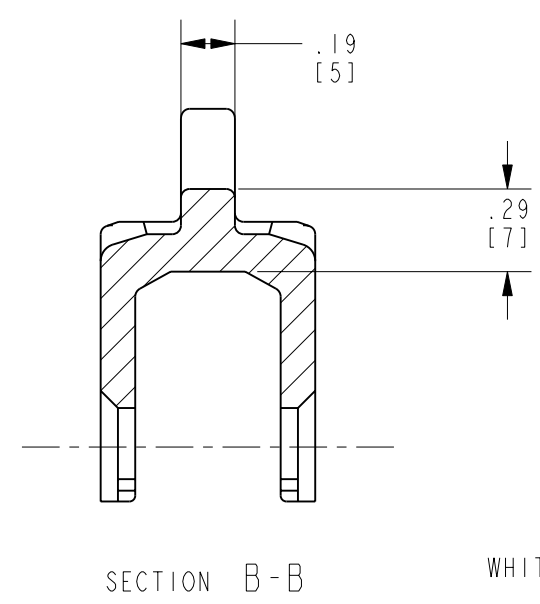
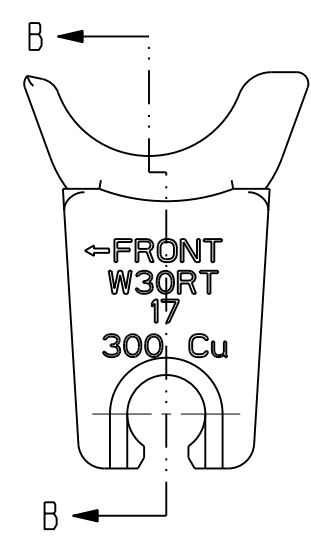
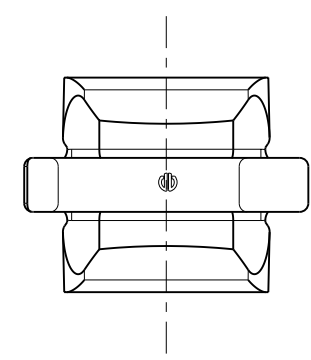


REV.	DATE	DESCRIPTION	ECO	BY	C'H'K.
C	04/16/2015 07:57:00 AM	UPDATED AS PER MARKUP	38805	MG	RM



NOTES:

1. DIMENSIONS IN BRACKETS [] ARE IN MILLIMETERS ROUNDED OFF TO THE NEAREST MILLIMETER, UNLESS OTHERWISE SPECIFIED, AND ARE FOR REFERENCE ONLY.
2. MATERIAL: STAINLESS STEEL
3. CATALOG NUMBER W30RT CONSISTS OF TWO SINGLE DIES.
4. DIE GAGE CAT NO. WPG17

TO ORDER BURNDY® PRODUCTS CALL
 UNITED STATES:
 1-800-346-4175 (LONDONDERRY, NH)
 CANADA:
 1-800-361-6975 (QUEBEC)
 1-800-387-6487 (ALL OTHER PROVINCES)
 FOR PRODUCT INFO: <http://www.burndy.com>

CIRCULAR NON BUTTING W-DIE	
ITEM NO: 464183	3
CAT. NO: W30RT	
DRAWN BY: T. FAUCHER 5/17/2006	
CHECKER: M. RZASA 5/17/2006	
DSN APPVL: C. CHADBOURNE 5/19/2006	
MFG APPVL: -- N/A	
QA APPVL: J. BRODEUR 5/19/2006	
MKT APPVL: B. POIRIER 5/18/2006	
PROD FAM: TOOLS, HYDRAULIC	SCALE: 3:2
PROJECT #: --	DRAWING NO
DOCUMENT TYPE: Sales	10069259
REL LEVEL: Released	B
	SHEET 1 OF 1
	C

REV: PE0200