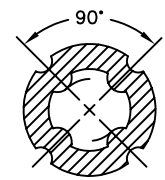
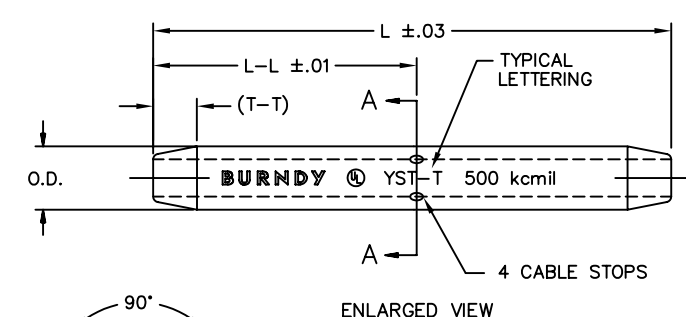
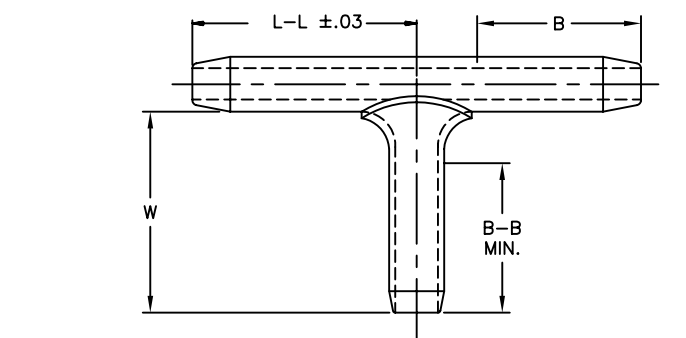
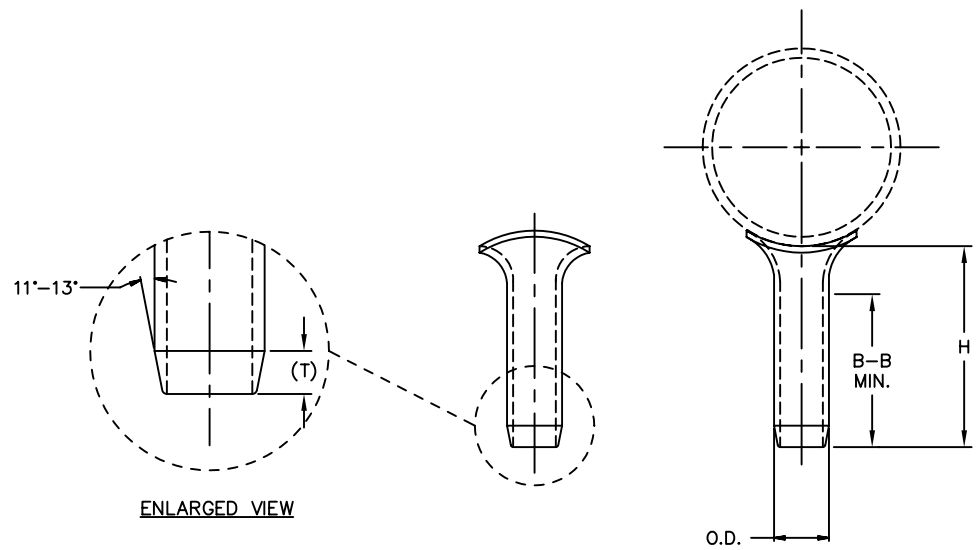


REV.	DATE	DESCRIPTION	ECO	BY	C'K'D.
D	03/18/08	CHG. C34 PROJECT BACK	15552	RB	RB

CATALOG NUMBER	CONDUCTOR RUN & TAP	O.D.	B MIN.	B-B MIN.	H	L	L-L	T	(T-T)	W MIN.	INSTALLATION TOOLING			DIELESS INSTALLATION TOOLING			WIRE STRIP LENGTH			
											Y35, Y39, Y750, Y46			Y35, Y39, Y750, Y46			RUN AND TAP		RUN AND TAP	
											DIE NUMBER # OF CRIMPS	COLOR CODE	DIE INDEX	HYDRAULIC 4-POINT	MECHANICAL HYTOOL™	HYDRAULIC HYPRESS™	RUN	TAP		
																			RUN AND TAP	
YST6C6CT	#6 STR (.184)	.29 [7]	1.13 [29]	1.13 [29]	1.36 [35]	3.19 [81]	1.60 [41]	---	---	1.34 [34]	U6CRT (1)	BLUE	7				1-3/16	1-3/16		
YST4C4CT	#4 STR (.232)	.34 [9]	1.13 [29]	1.13 [29]	1.36 [35]	3.25 [83]	1.62 [41]	---	---	1.34 [34]	U4CRT (1)	GRAY	8				1-3/16	1-3/16		
YST2C2CT	#2 STR (.291)	.41 [10]	1.23 [31]	1.23 [31]	1.50 [38]	3.56 [90]	1.78 [45]	---	---	---	U2CRT (1)	BROWN	10				1-5/16	1-5/16		
YST1C1CT	#1 STR (.330)	.46 [12]	1.38 [35]	1.38 [35]	1.63 [41]	3.75 [95]	1.88 [48]	---	---	1.61 [41]	U1CRT (1)	GREEN	11				1-7/16	1-7/16		
YST2525T	#1/0 STR (.375)	.51 [13]	1.34 [34]	1.34 [34]	1.56 [40]	3.81 [97]	1.91 [49]	---	---	---	U25RT (1)	PINK	12	PAT81KFT-18V (1)	MY29-3 (2) MY29-11 (2) (2 CRIMPS PER END)			1-7/16	1-7/16	
YST2626T	#2/0 STR (.419)	.56 [14]	1.50 [38]	1.50 [38]	1.73 [44]	4.12 [105]	2.06 [52]	---	---	1.71 [43]	U26CRT (1)	BLACK	13				1-11/16	1-11/16		
YST2727T	#3/0 STR (.470)	.62 [16]	1.50 [38]	1.50 [38]	1.79 [45]	4.12 [105]	2.06 [52]	---	---	1.77 [45]	U27RT (1)	ORANGE	14	Y81KFTMBH (1)				1-11/16	1-11/16	
YST2828T	#4/0 STR (.528)	.69 [18]	1.79 [45]	1.79 [45]	1.95 [50]	4.54 [115]	2.27 [58]	.18 [5]	.18 [5]	1.94 [49]	U28RT (1)	PURPLE	15		Y644HS (1)			1-13/16	1-13/16	
YST2929T	250 kcmil (.575)	.75 [19]	1.86 [47]	1.86 [47]	2.02 [51]	4.69 [119]	2.34 [59]	.22 [6]	.22 [6]	2.00 [51]	U29RT (2)	YELLOW	16		(1 CRIMP PER END)			1-15/16	1-15/16	
YST3030T	300 kcmil (.630)	.81 [21]	2.20 [56]	2.20 [56]	2.50 [64]	5.92 [150]	2.96 [75]	.24 [6]	.24 [6]	2.48 [62]	U30RT (2)	WHITE	17					2-3/16	2-3/16	
YST3131T	350 kcmil (.681)	.88 [22]	2.20 [56]	2.20 [56]	2.60 [66]	6.15 [156]	3.08 [78]	.23 [6]	.23 [6]	2.58 [66]	U31RT (4)	RED	18	Y81KFT (2)				2-3/16	2-3/16	
YST3232T	400 kcmil (.728)	.95 [24]	2.35 [60]	2.35 [60]	3.71 [94]	5.90 [150]	2.95 [75]	.23 [6]	.23 [6]	3.69 [94]	U32RT (4)	BLUE	19		---			2-7/16	2-7/16	
YST3434T	500 kcmil (.814)	1.06 [27]	2.65 [67]	2.65 [67]	3.10 [79]	6.99 [178]	3.49 [89]	.40 [10]	.40 [10]	3.09 [78]	U34RT (4)	BROWN	20	PAT81KFT-18V (2)				2-5/16	2-5/16	
YST3636T	600 kcmil (.893)	1.19 [30]	3.19 [81]	3.19 [81]	3.75 [95]	8.78 [223]	4.39 [112]	.50 [13]	.50 [13]	3.73 [95]	U36RT (4)	GREEN	22	Y81KFTMBH (2)				3-3/16	3-3/16	
YST3939T	750 kcmil (.893)	1.30 [33]	3.29 [84]	3.29 [84]	3.87 [98]	8.94 [227]	4.47 [114]	.41 [10]	.41 [10]	3.85 [98]	U39RT (4)	BLACK	24					3-5/16	3-5/16	
YST4444T	1000 kcmil (1.152)	1.49 [38]	3.66 [93]	3.66 [93]	4.18 [106]	9.94 [252]	4.97 [126]	.66 [17]	.66 [17]	4.16 [106]	U44RT (4)	WHITE	27					3-11/16	3-11/16	



NOTES:

- MATERIAL: COPPER.
- FINISH: TIN PLATE.
- DIMENSIONS IN BRACKETS [] ARE IN MILLIMETERS.
- THE MAXIMUM CABLE SIZE CRIMPED BY THE Y35 IS 400 kcmil COPPER.
- USE ADAPTOR CAT. NO. (P-UADP) WITH "U" DIES IN Y46 HYPRESS.
- FOR ADDITIONAL TOOLING, REFERENCE BURNDY CATALOG INSTALLATION TOOL INDEX.
- SHOWN INSTALLED WITH NEST AND INDENTOR.

TO ORDER BURNDY® PRODUCTS CALL 1-800-346-4175
MANCHESTER, NH 03109, USA
FOR PRODUCT INFO = <http://www.burndy.com>

COPPER COMPRESSION TEE CONNECTOR - EQUAL SIZED RUN & TAP

ITEM NO: N/A

CAT NO: YST----T (TABLE)

SCALE: 1/1

DRAWN BY: P LAPONIUS 11/28/06

CHECKER: D SHABILIA 11/29/06

DSN APPVL: D SHABILIA 11/28/06

MFG APPVL: ---

QC APPVL: J BRODEUR 11/28/06

MKT APPVL: J SYLVIA 11/28/06

PROD FAM: ---

PROJECT #: ---

DOCUMENT TYPE: Sales

REL LEVEL: AutoCAD

DRAWING NO: 10074700

REV: D

SHEET 1 OF 1