

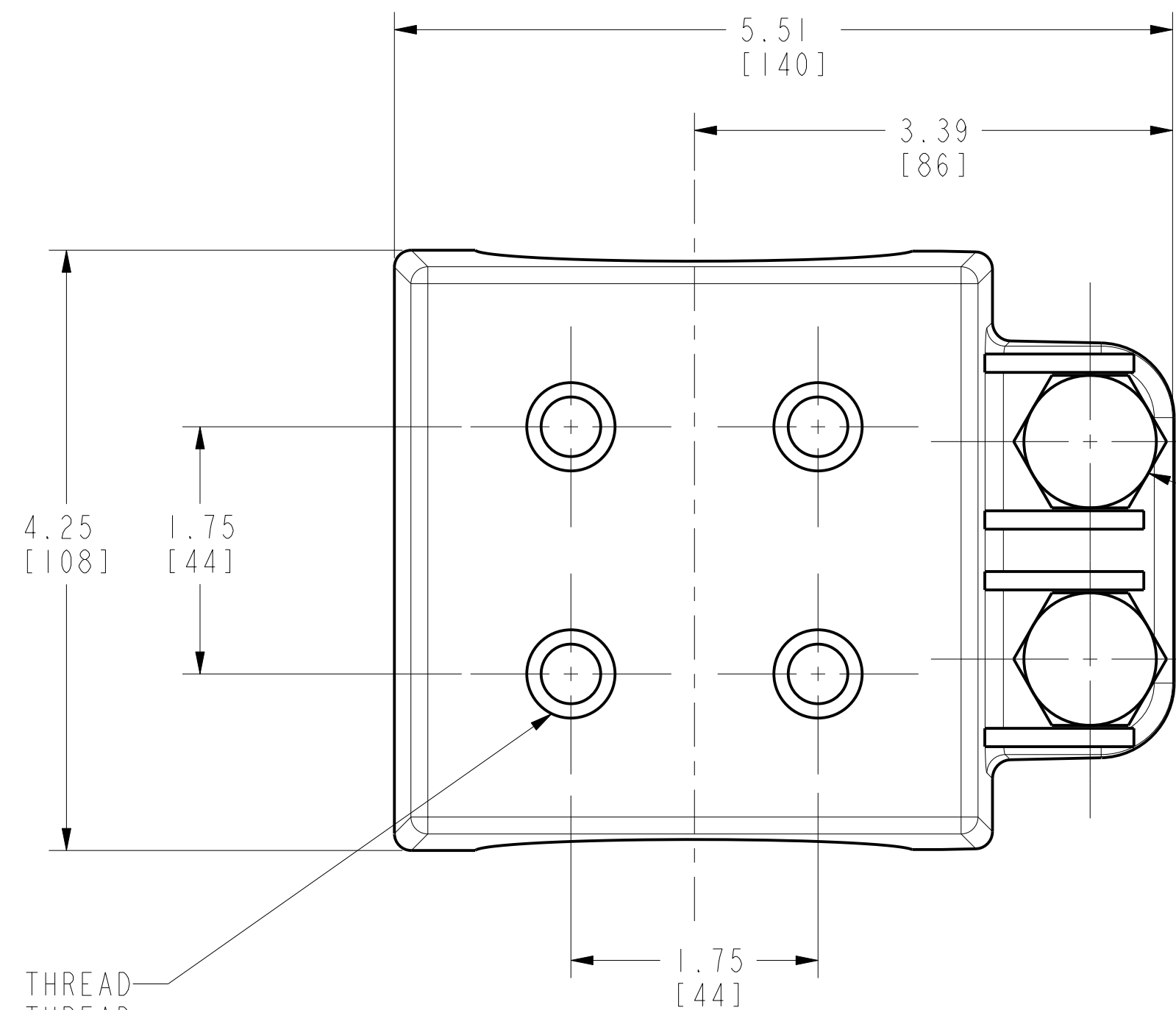
REV	DATE	DESCRIPTION	EC#	BY	C'H'K.
C	2021-10-22 00:00:00 EDT	DRAWING RELEASED	211021013658	MM	NJS

D

C

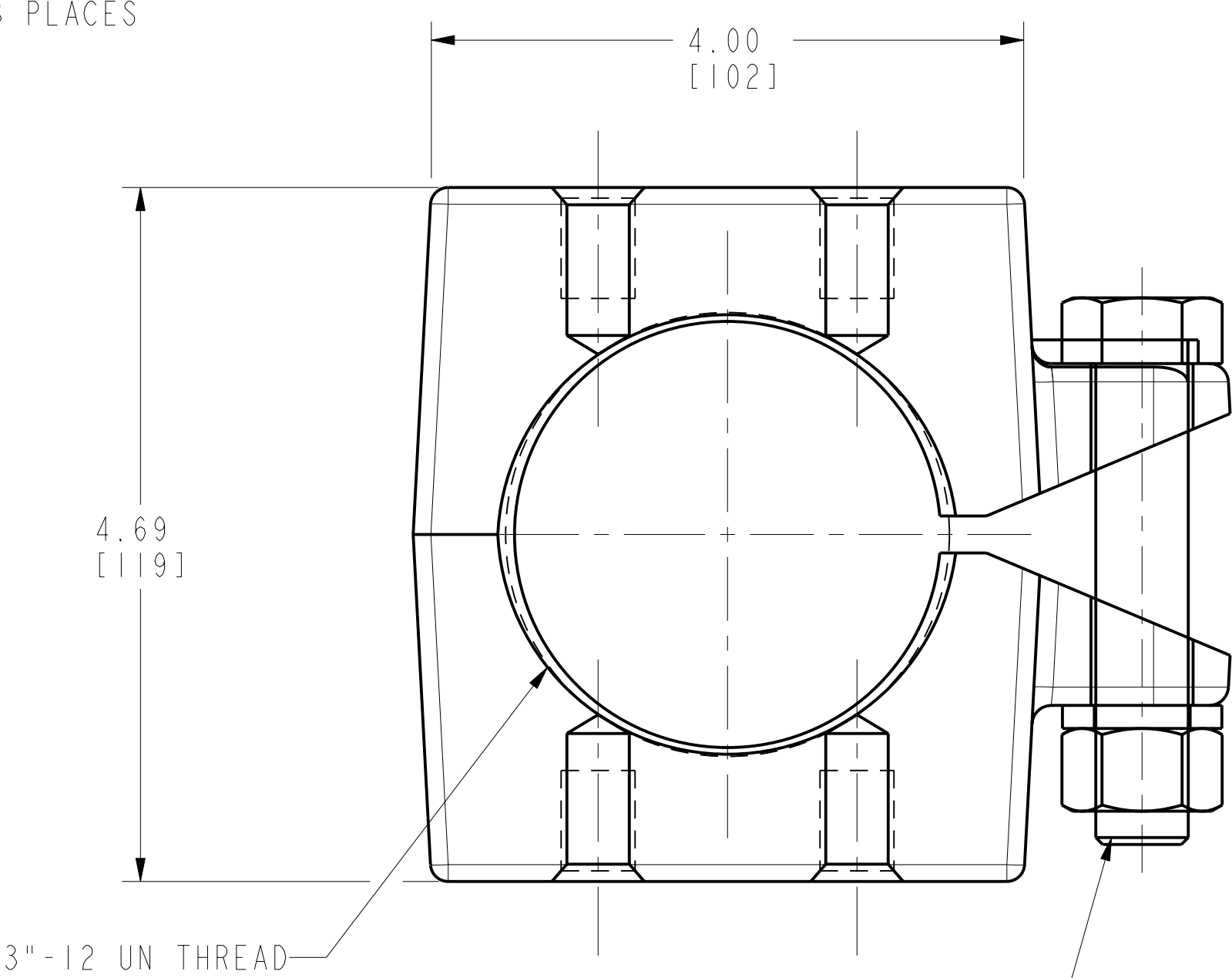
B

A

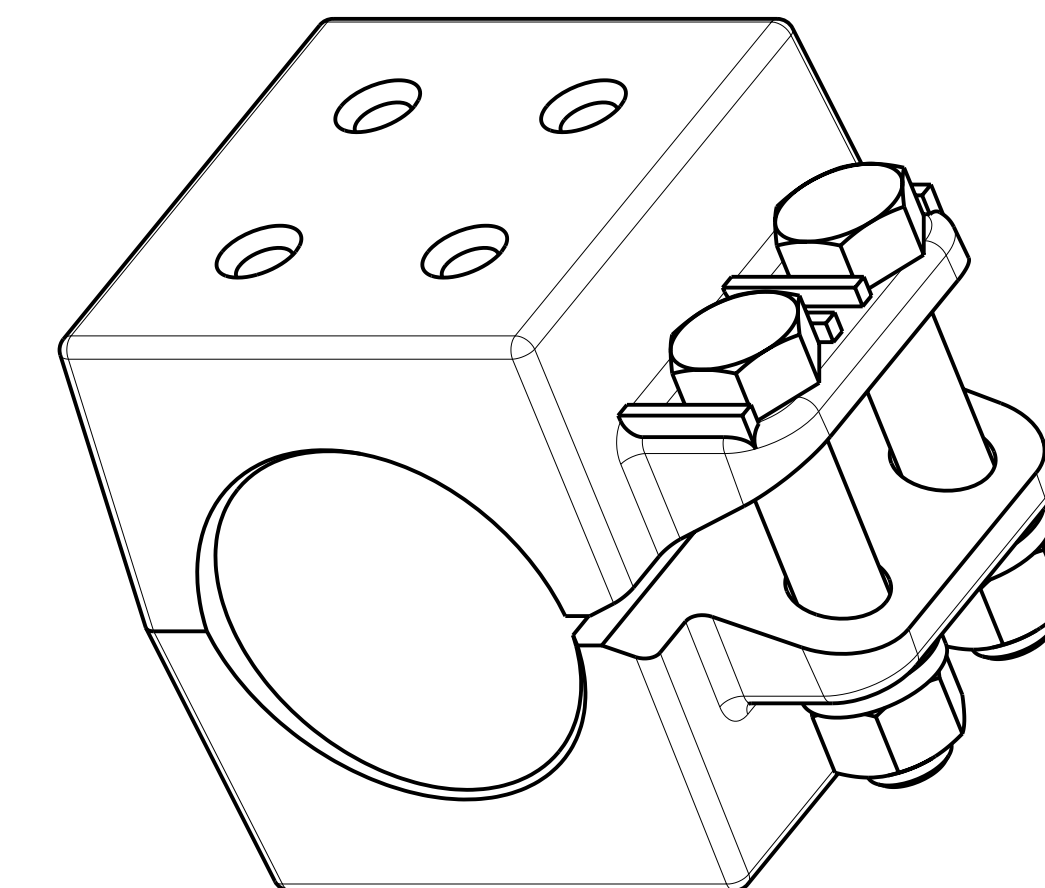


SILICON BRONZE HARDWARE
5/8 BOLT, NUT AND SPLIT WASHER

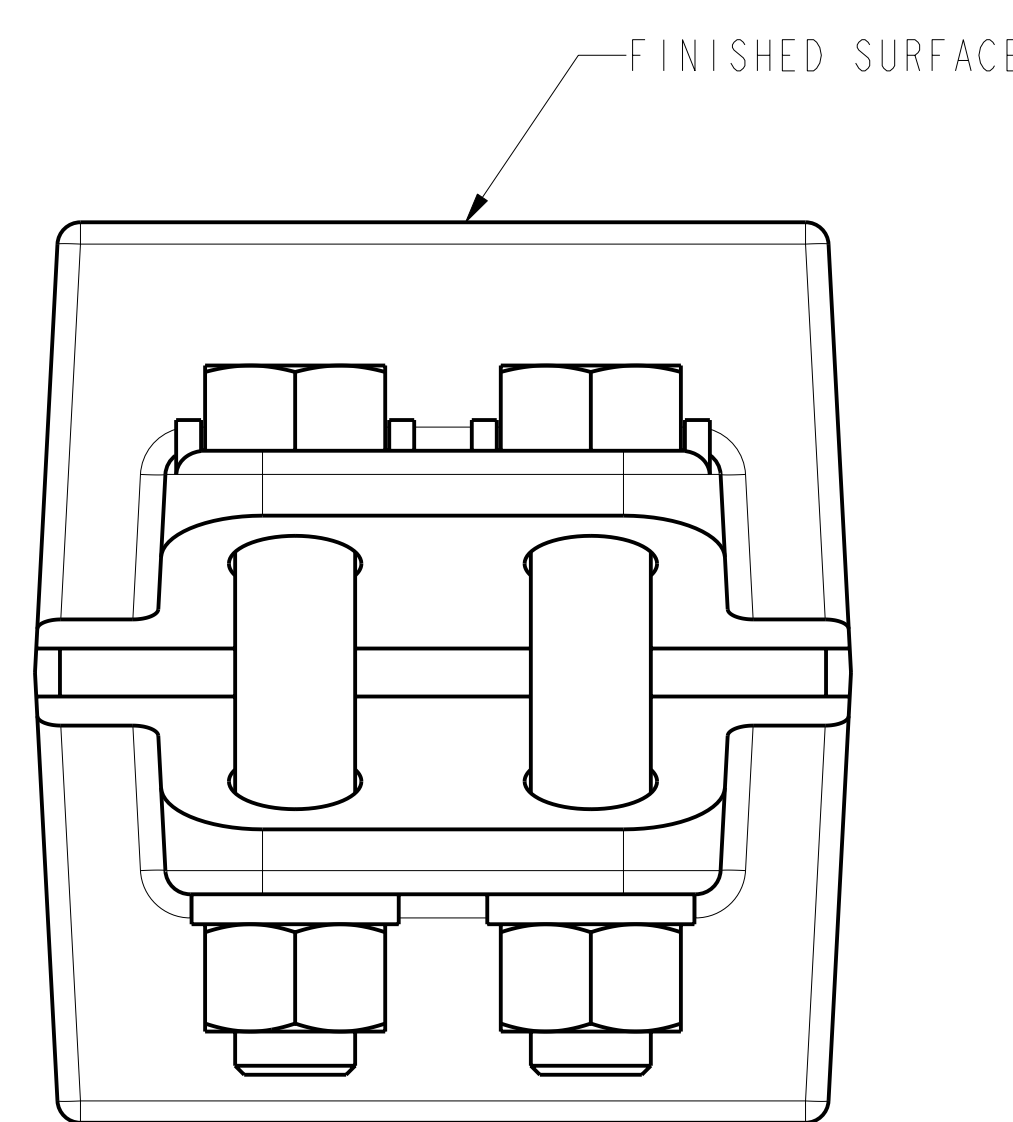
1/2-13UNC THREAD
.75 [19] EFFECTIVE THREAD
8 PLACES



FIRST THREAD HAS BEEN
PEENED OVER TO SECURE
NUT TO BOLT



3D VIEW



FINISHED SURFACE

FINISHED SURFACE

NOTES:

- MATERIAL:
- CONNECTOR, CAST COPPER ALLOY
- HARDWARE, SILICON BRONZE
- DIMENSIONS IN BRACKETS [] DENOTES METRIC UNITS [SI UNITS] AND ARE ROUNDED TO THE NEAREST WHOLE NUMBER. UNLESS OTHERWISE SPECIFIED THESE UNITS SHALL BE USED FOR REFERENCE ONLY.

3 CLAMPING HARDWARE HAS BEEN SELECTED TO PROVIDE THE REQUIRED FORCE WHEN TIGHTENED TO THE RECOMMENDED TORQUE. TO REDUCE OR GREATLY EXCEED THE RECOMMENDED TORQUE CAN ADVERSELY AFFECT THE PERFORMANCE OF THE CONNECTOR.

RECOMMENDED TIGHTENING TORQUE: 5/8-11 660 INCH POUNDS

TO ORDER BURNDY@PRODUCTS CALL		STUD TERMINAL, 3"-12	
UNITED STATES: 1-800-346-4175 (LONDONDERRY, NH)		ITEM NO: 10074701	SCALE: 1:1
CANADA: 1-800-361-6975 (QUEBEC) 1-800-387-6487 (ALL OTHER PROVINCES)		CAT. NO: FD70DD50X13	
FOR PRODUCT INFO: http://www.burndy.com		DRAWN BY: R LAVOIE 12/01/06	
		CHECKER: R LAVOIE 01/22/07	
		DSN APPVL: -- --	
		MFG APPVL: -- --	
		QA APPVL: -- --	
		MKT APPVL: M THERRIEN 11/08/21	
		PROD FAM: SUBSTATION	DRAWING NO
		PROJECT #: --	10074873
		DOCUMENT TYPE: Sales	SHEET 1 OF 1
		REL LEVEL: Released	C



REV: CREO_08/10/21

D

C

B

A