

ASSEMBLY CAT NO.	FIG	NO OF OUTLETS	'L' APPROX OVERALL LENGTH
ZM425	1	4	8.00 [203]
ZM625	1	6	11.50 [292]
ZM825	1	8	15.00 [381]
ZM1025	1	10	18.50 [470]
ZM1225	1	12	22.00 [559]
ZM1425	1	14	25.50 [648]
ZM1625	1	16	29.00 [737]
ZM2025	2	20	36.00 [914]
ZM2425	2	24	43.00 [1092]
ZM425B	1	4	8.00 [203]
ZM625B	1	6	11.50 [292]
ZM825B	1	8	15.00 [381]
ZM1025B	1	10	18.50 [470]
ZM1225B	1	12	22.00 [559]
ZM1425B	1	14	25.50 [648]
ZM1625B	1	16	29.00 [737]
ZM2025B	2	20	36.00 [914]

REV.	DATE	DESCRIPTION	ECO	BY	C'K'D
C	11/14/18	ADDED ITEM ZM2425 TO TABLE	50318	RB	VS

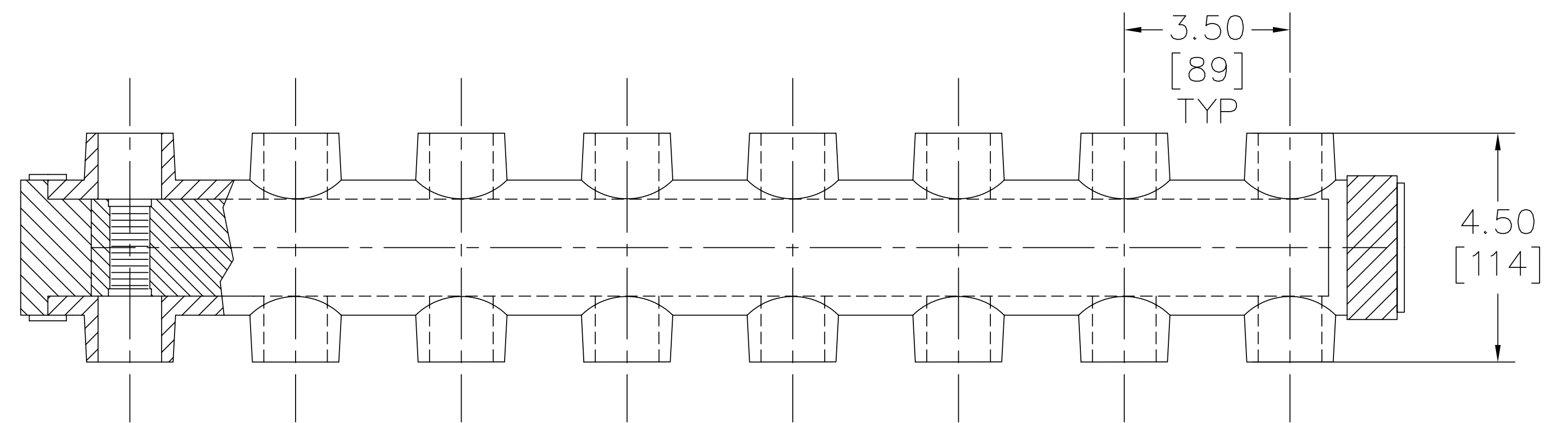
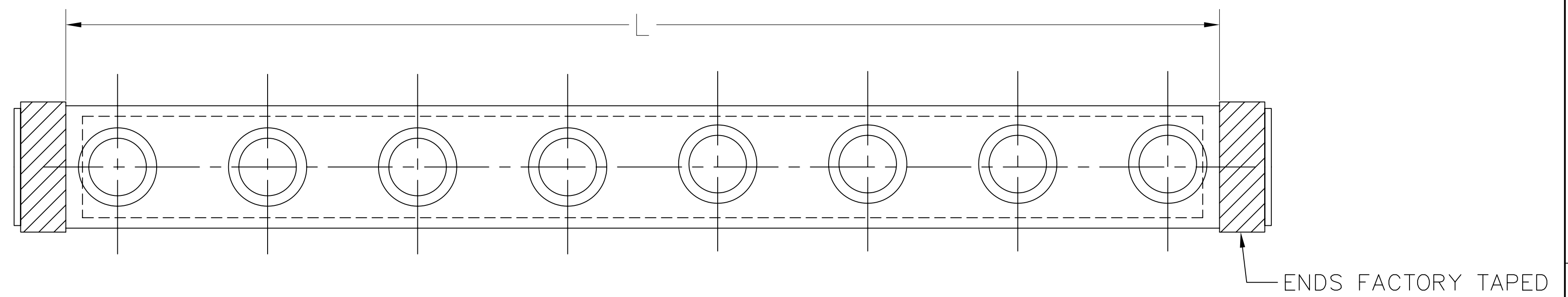


FIGURE 1

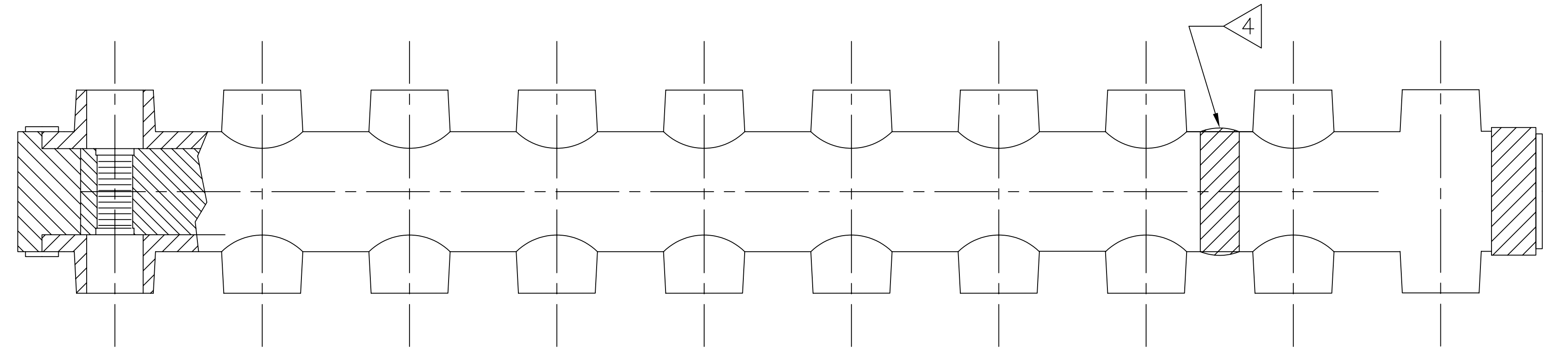


FIGURE 2

NOTES:

- MATERIAL: TIN PLATED COPPER WITH INSULATED GLOVE. 4
- CAPACITY: 2000-2500 AMPS.
- ACCOMMODATES: OUTLET RANGE "A" = #6 STR CU - 600 kcmil CU.
OUTLET RANGE "B" = #2 STR CU - 1,000 kcmil CU.
- 4 INSULATED GLOVES WITH MORE THAN 16 OUTLETS ARE JOINED WITH TAPE BY THE FACTORY. THIS TAPE PROVIDES A WATERTIGHT JOINT.
- DIMENSIONS IN BRACKETS [] ARE IN MILLIMETERS ROUNDED OFF TO THE NEAREST MILLIMETER, UNLESS OTHERWISE NOTED, AND ARE FOR REFERENCE ONLY.

TO ORDER BURNDY® PRODUCTS CALL UNITED STATES: 1-800-346-4175 (LONDONDERRY, NH) CANADA: 1-800-361-6975 (QUEBEC) 1-800-387-6487 (ALL OTHER PROVINCES) FOR PRODUCT INFO: http://www.burndy.com		MOLE™	
		ITEM NO: (TABLE)	
		CAT NO: ZM--25 & ZM--25B (TABLE)	
		SCALE: 1/2	
		DRAWN BY: P LAPONIUS 12/22/06	
		CHECKER: J MICHAUD 12/28/06	
		DSN APPVL: R MACDONALD 12/22/06	
		MFG APPVL: -- --	
		QC APPVL: J BRODEUR 12/28/06	
		MKT APPVL: D HAMILTON 12/22/06	
		PROJ FAM: --	DRAWING NO
		PROJECT #: --	10075453
		DOCUMENT TYPE: Sales	REV
		REL LEVEL: AutoCAD	C
		SIZE	D
		SHEET 1 of 1	