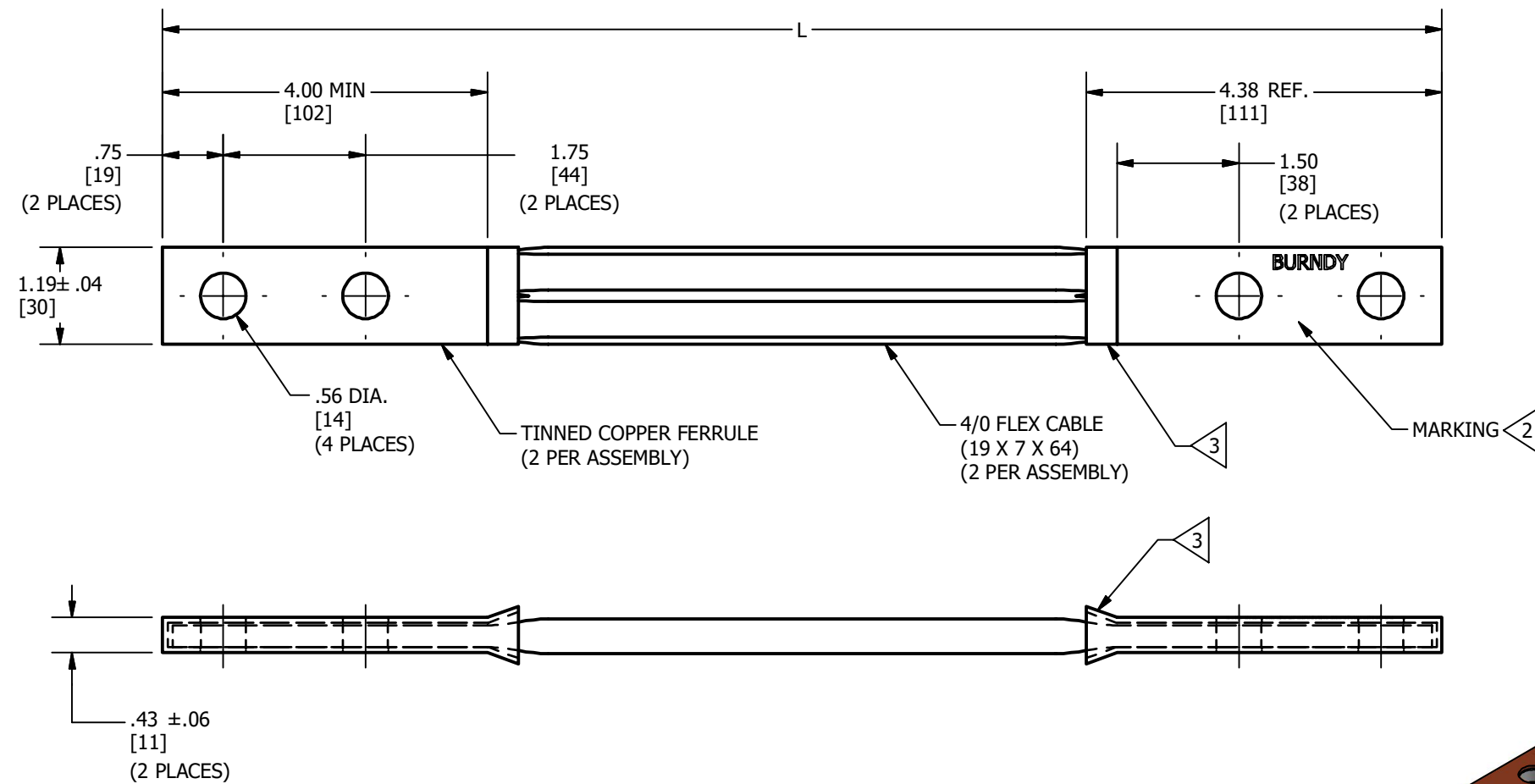


CATALOG NO.	LENGTH-LONGUEUR "L"	HQ SAP NO.	HQ ARTICLE NO.
C2Y4/OL10D63CG1	10.63 (270 mm)	--	--
C2Y4/OL15D75CG1	15.75 (400 mm)	--	--
C2Y4/OL18D58CG1	18.58 (472 mm)	1123190	255A
C2Y4/OL23D62CG1	23.62 (600 mm)	1128916	255B
C2Y4/OL25D60CG1	25.60 (650 mm)	1128917	255C
C2Y4/OL27D56CG1	27.56 (700 mm)	1128918	255D
C2Y4/OL31D50CG1	31.50 (800 mm)	1128919	255E
C2Y4/OL53D15CG1	53.15 (1350 mm)	--	--
C2Y4/OL55D12CG1	55.12 (1400 mm)	--	--
C2Y4/OL84CG1	84.00 (2134 mm)	--	--
C2Y4/OL96CG1	96.00 (2438 mm)	--	--
C2Y4/OL144CG1	144.00 (3658 mm)	--	--

REV	DATE	DESCRIPTION	ECO	BY	C'HK.
J	06/19/2020	UPDATED AS PER MARKUP	53757	PB	RG



NOTES:

1. MATERIAL:
 FERRULE: COPPER C11000, TIN PLATED
 CABLE: 4/0 FLEX (19 x 7 x 64) TIN COATED
 MATÉRIEL :
 EMBOUT-MANCHON : CUIVRE ÉTAMÉ
 CÂBLE : 4/0 FLEXIBLE (19 X 7 X 64 torons en cuivre étamé).

- 2 MARKING:
 - BURNDY
 - CATALOG NO.
 IMPRESSION :
 - BURNDY
 - NO. CATALOGUE

- 3 BELL END ONLY APPLIED ON TOP AND BOTTOM SIDE SURFACE MUST BE FLAT
 L ÉVASEMENT DE L EMBOUT-MANCHON SE FAIT SUR LE DESSUS ET LE DESSOUS
 DE LA TRESSE SEULEMENT. LES CÔTÉS SONT PLATS AUCUN ÉVASEMENT.

4. MAXIMUM PRESSURE TO AVOID ANY VOID ON THE FERRULES.
 L EMBOUT-MANCHON NE DOIT MONTRER AUCUNS INTERSTICE.

5. UNLESS OTHERWISE SPECIFIED
 À MOINS D INDICATION CONTRAIRE

GENERAL TOLERANCE:
 0.X = ± 0.05 [1.27]
 0.XX = ± 0.03 [0.76]

RÉF: HYDRO QUÉBEC #G400-40110-022-01-B-HQ-1

SHUNT, 4/0 X 2, NEMA

TO ORDER BURNDY® PRODUCTS CALL
 UNITED STATES
 1-800-346-4175 (LONDONDERRY, NH)
 CANADA:
 1-800-387-6487
 FOR PRODUCT INFO: <http://www.burndy.com>

ITEM NO: SEE TABLE	DRAWN BY: D.FAN 05/22/2007	
CAT. NO: SEE TABLE	CHECKER: --	
DSN APRVL: D.FAN 05/22/2007	MFG APRVL: --	
QA APRVL: --	MKT APRVL: --	
PROD FAM: --	PROJECT #: --	DRAWING NO
DOCUMENT TYPE: SALES	REL LEVEL: Released	10078319
		B
		J