

*** BILL OF MATERIAL ***

PT. #	ITEM NO.	CATALOG NO.	QTY.	DESCRIPTION
1	10078377	Y4PC834MBH	1	4 POINT TOOL (C-HEAD)
2	411250	PT11148	1	3/8 MALE PIPE COUPLING
3	416229	PT94	1	MALE TIP
4	431089	PT11001	1	DUST CAP - FEMALE
5	428087	PT20443801	1	FIVE YEAR WARRANTY CARD
6	10078934	Y4PC834MBHOM1	1	SOMI
7	10054093	PT10054094	1	CARRYING BAG

SPECIFICATIONS - TOOL

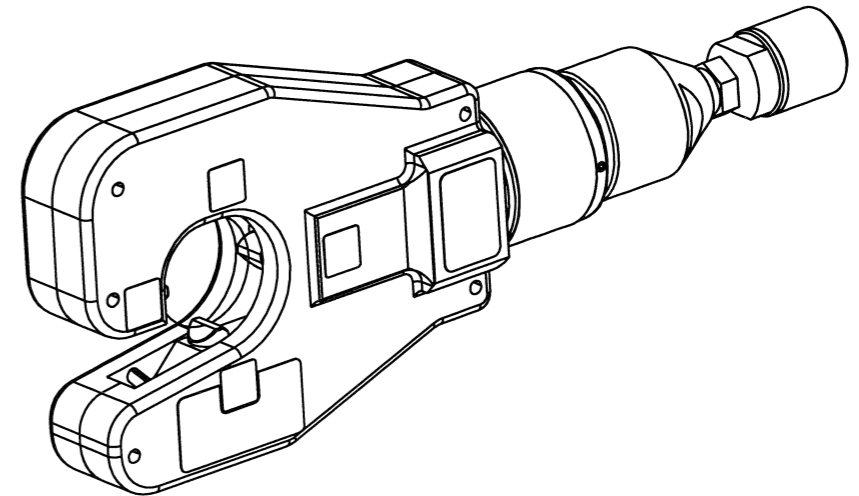
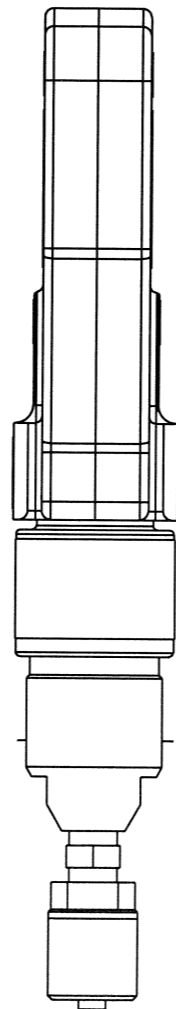
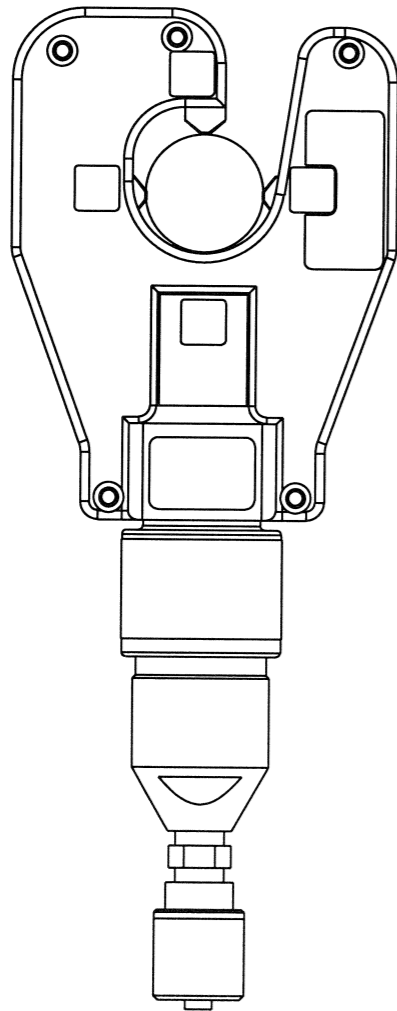
Output Force:.....6 TONS (5.4 METRIC TONS)
 Weight:.....8.35 lbs. (3.7 kg)
 Head Width:.....5.4" (138 mm)
 Operating Pressure:.....10,000 psi (68.9 MPa)
 Overall Length:.....13.9" (354 mm)

REV.	DATE	DESCRIPTION	ECO	BY	C'H'K.
A	8/13/2007 3:56:00 PM	RELEASED	14679	ATM	JWA

FEATURES AND BENEFITS

Features	Benefits
- Dieless system	- Eliminates the need to purchase and maintain dies.
- Rotational head	- Versatile tool head positioning, allows user access into tight areas with ease.

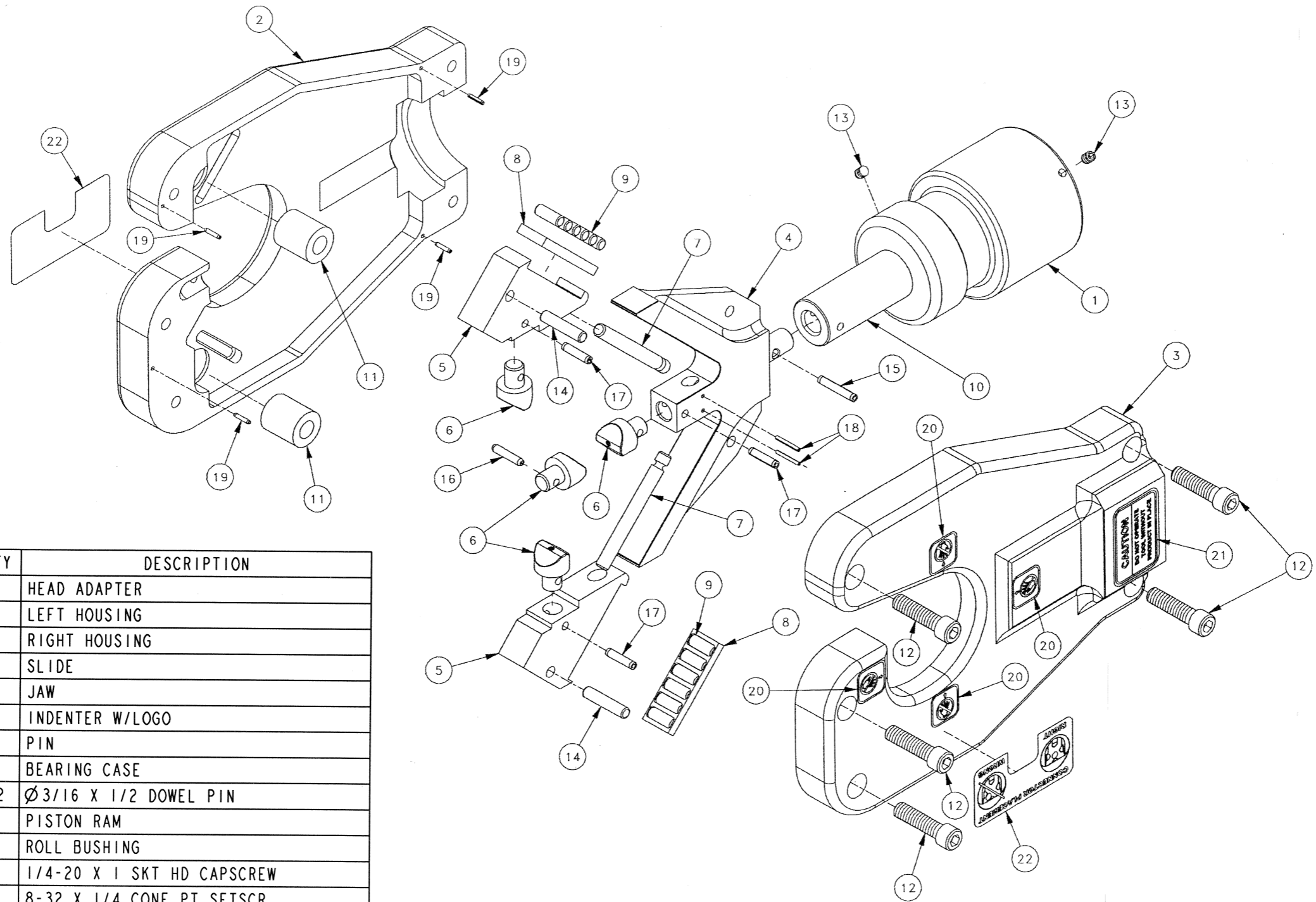
**FOR TOOL SERVICE CENTER USE ONLY.
 DISTRIBUTION TO BE APPROVED BY
 FCI LITTLETON TOOL SERVICE CENTER.**



REV: PE0200

TO ORDER BURNDY PRODUCTS CALL 1-800-346-4175 MANCHESTER, NH 03109, USA FOR PRODUCT INFO = http://www.fciconnect.com			
4 POINT C-HEAD REMOTE TOOL			
ITEM NO: 10078377			
CAT. NO: Y4PC834MBH			
DRAWN BY: A MONTMINY	05/23/2007	FCI BURNDY PRODUCTS	SCALE: 3:8
CHECKER:		
DSN APPVL: J AYER	07/25/2007		
MFG APPVL: W BENEDICT	08/13/2007		
QA APPVL: J BRODEUR	07/26/2007	PROJECT #: 13389	SIZE
MKT APPVL: R ROBICHEAU	08/08/2007	DOCUMENT TYPE: Sales	DRAWING NO
PROD FAM: TOOLS, HYDRAULIC		REL LEVEL: Released	REV
	B		10078379
			A
			SHEET 1 OF 2

REV.	DATE	DESCRIPTION	ECO	BY	C'H'K.
A	8/13/2007 3:56:00 PM	RELEASED	14679	ATM	JWA



ITEM	CATALOG NO.	QTY	DESCRIPTION
1	RPHCI34DI5	1	HEAD ADAPTER
2	RPHCI34D22	1	LEFT HOUSING
3	RPHCI34D23	1	RIGHT HOUSING
4	RPHCI34DI8	1	SLIDE
5	RPHCI34DI9	2	JAW
6	RPHCI34D21	4	INDENTER W/LOGO
7	RPHCI34DI0	2	PIN
8	RPHCI34DI1	2	BEARING CASE
9	RP6DI003	12	Ø 3/16 X 1/2 DOWEL PIN
10	PT10047194	1	PISTON RAM
11	RPHCI34DI2	2	ROLL BUSHING
12	RPDI079	5	1/4-20 X 1 SKT HD CAPSCREW
13	RPDI749	2	8-32 X 1/4 CONE PT SETSCR
14	19X88STDWL	2	Ø 3/16 X 7/8 DOWEL PIN
15	RP6DI011	1	Ø 1/8 X 3/4 SPRING PIN
16	RP6DI052	1	Ø 1/8 X 5/8 SPRING PIN
17	RP6DI023	3	Ø 1/8 X 9/16 SPRING PIN
18	RP6DI328	2	Ø 1/16 X 1/2 COILED PIN
19	062X31RLPN	4	Ø 1/16 X 5/16 SPRING PIN
20	RPPHI02DWL	8	WARNING LABEL
21	RPHCI34DCL	2	CAUTION LABEL
22	RPHCI34DPL	2	PLACEMENT LABEL

TO ORDER BURNDY PRODUCTS CALL 1-800-346-4175
 MANCHESTER, NH 03109, USA
 FOR PRODUCT INFO = <http://www.fciconnect.com>

4 POINT C-HEAD REMOTE TOOL

ITEM NO: 10078377
 CAT. NO: Y4PC834MBH

DRAWN BY: A MONTMINY	05/23/2007	FCI BURNDY PRODUCTS
CHECKER: --	--	
DSN APPVL: J AYER	07/25/2007	
MFG APPVL: W BENEDICT	08/13/2007	
QA APPVL: J BRODEUR	07/26/2007	
MKT APPVL: R ROBICHEAU	08/08/2007	SCALE: 3:8
PROD FAM: TOOLS, HYDRAULIC	DRAWING NO	REV
PROJECT #: 13389	SIZE	10078379
DOCUMENT TYPE: Sales	B	SHEET 2 OF 2
REL LEVEL: Released		A

REV: PE0200