

REV.	DATE	DESCRIPTION	ECO	BY	C'H'K.
C	04/27/2017 09:24:00 AM	LOGO UPDATE	46590	BK	MB

*** BILL OF MATERIAL ***

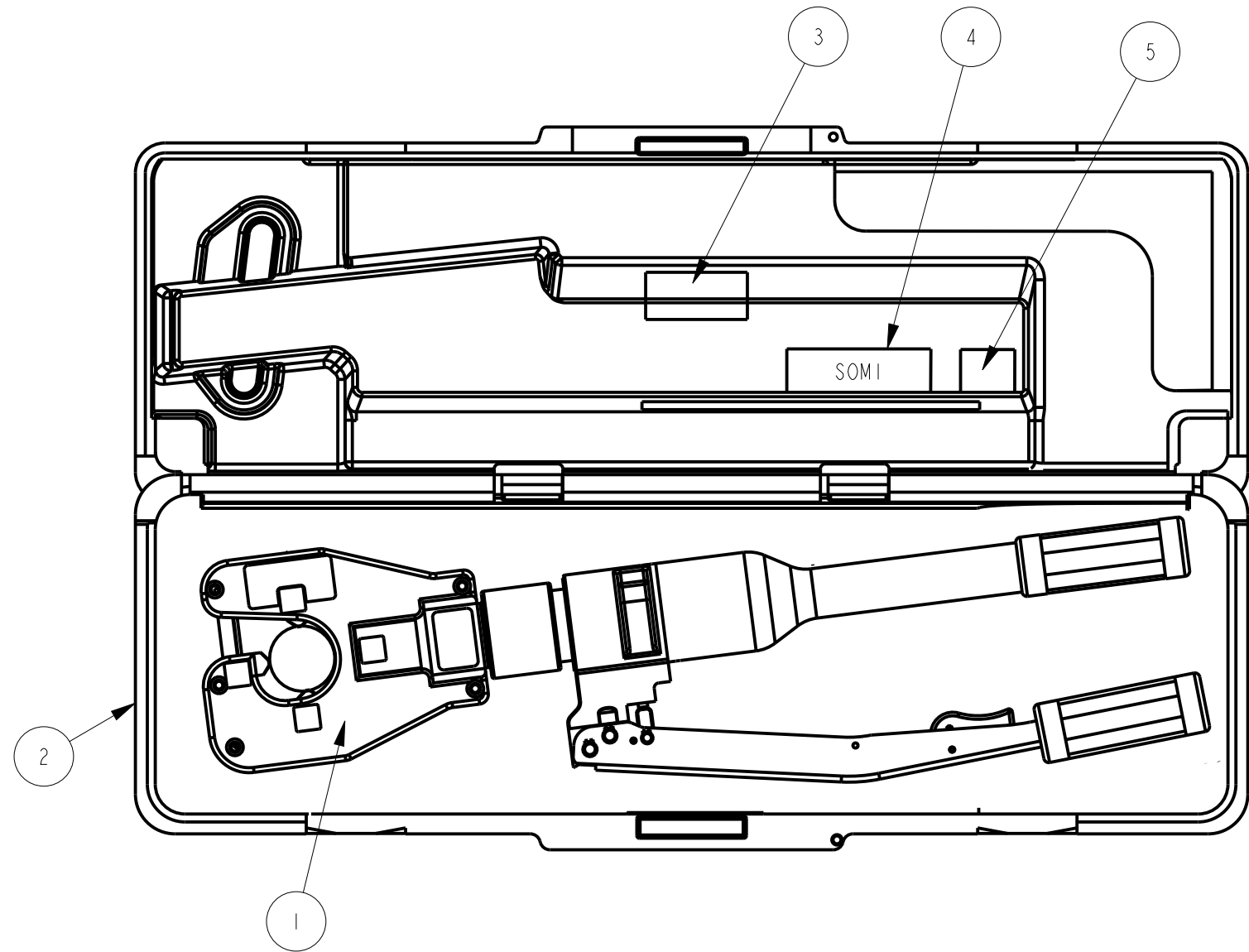
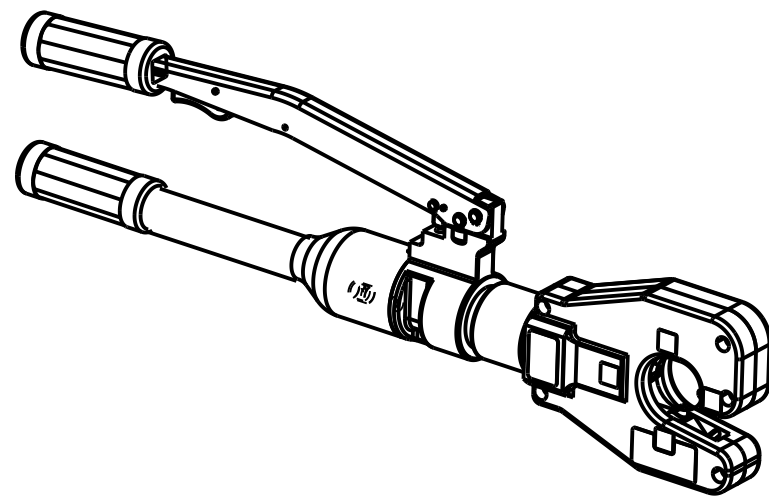
PT. #	ITEM NO.	CATALOG NO.	QTY.	DESCRIPTION
1	10078363	Y4PC834	1	SELF CONTAINED 4 POINT TOOL
2	10050732	PT10050733	1	CARRY CASE Y81KFT
3	10078703	PT10078704	1	LABEL, CASE OUTER Y4PC834
4	10078933	Y4PC834OMI	1	SOMI, Y4PC834
5	428087	PT20443801	1	FIVE YEAR WARRANTY CARD

SPECIFICATIONS - TOOL

Output Force:.....6 TONS (5.4 METRIC TONS)
 Weight:.....11.85 lbs. (5.38 kg)
 Length.....25.6" (651 mm)
 Height.....7.7" (196 mm)
 Width.....2.5" (64 mm)

FEATURES AND BENEFITS

Features	Benefits
- Dieless system	- Eliminates the need to purchase and maintain dies.
- 360 Degree rotational head	- Versatile tool head positioning, allows user access into tight areas with ease.
- "Pop-off" pressure relief valve	- Provides audible indication that crimp is complete.
- Comfort grip handles	- Helps ease fatigue with continuous use.
- High speed ram advance	- Provides faster crimp.
- Handle trigger drain	- Convenient ram retraction.



TO ORDER BURNDY® PRODUCTS CALL

UNITED STATES:
1-800-346-4175 (LONDONDERRY, NH)

CANADA:
1-800-361-6975 (QUEBEC)
1-800-387-6487 (ALL OTHER PROVINCES)

FOR PRODUCT INFO: <http://www.burndy.com>

4 POINT C-HEAD SELF CONTAINED	
ITEM NO: 10078363	
CAT. NO: Y4PC834	
DRAWN BY: A MONTMINY 05/23/2007	
CHECKER: --	
DSN APPVL: J AYER 07/25/2007	
MFG APPVL: W BENEDICT 08/13/2007	
QA APPVL: J BRODEUR 07/26/2007	
MKT APPVL: R ROBICHAU 08/08/2007	
PROD FAM: TOOLS, HYDRAULIC	SCALE: 1:4
PROJECT #: 13389	DRAWING NO
DOCUMENT TYPE: Sales	10080934
REL LEVEL: Released	B
	SHEET 1 OF 2
	C



E-LINE CONNECTORS

Wire Size	Expanded Wire Range	Aluminum			Copper		
		Offset Cat.No.	Center-formed Cat.No.	No.of Crimps	Offset Cat.No.	Center-formed Cat.No.	No.of Crimps
#8 AWG	#8 AWG	YA8CA-T-E		1			
#6 AWG	#6 AWG						
#4 AWG	#6 - #4						
#2 AWG	#6 - #2	YA2CA-T-E	YAC2CA-T-E	1			
#1 AWG	#6 - #1						
1/0 AWG	#6 - 1/0	YA25A-T-E		1	YA25L-T-E	YAC25L-T-E	1
2/0 AWG	#4 - 2/0	YA26A-T-E		2	YA26L-T-E	YAC26L-T-E	1
3/0 AWG	#2 - 3/0	YA27A-T-E	YAC27A-T-E	2			
4/0 AWG	#1 - 4/0	YA28A-T-E		2			
250 kcmil	1/0 - 250						
300 kcmil	2/0 - 300	YA30A-T-E		2	YA30L-T-E	YAC30L-T-E	2
350 kcmil	3/0 - 350	YA31A-T-E	YAC31A-T-E	2			
400 kcmil	4/0 - 400	YA32A-T-E		4			
500 kcmil	4/0 - 500	YA34A-T-E		4	YA34L-T-E		2
500 kcmil	4/0 - 500				YA342L-T-E		2
600 kcmil	250 - 600	YA36A-T-E		4	YA36L-T-E		2
600 kcmil	250 - 600				YA362L-T-E		2
700 kcmil	350 - 700						
750 kcmil	500 - 750	YA39A-T-E		4	YA39L-T-E		2
750 kcmil	500 - 750				YA392L-T-E		2

COPPER CONNECTORS

Nominal Flex Wire Size	Standard Barrel				Long Barrel			
	Expanded Range	Terminal	Splice	# Crimps	Expanded Range	Terminal	Splice	# Crimps
#8 AWG	#8 AWG	YAV8CL-	YSV8CL-	1	#8 AWG	YAV8C-	YSV8C-	1
#6 AWG	#6 AWG	YAV6CL-	YSV6CL-	1	#6 AWG	YAV6C-	YSV6C-	1
#4 AWG	#6 - #4 AWG	YAV4CL-	YSV4CL-	1	#6 - #4 AWG	YAV4C-	YSV4C-	1
#2 AWG	#4-#2 AWG	YAV2CL-	YSV2CL-	1	#6 - #2 AWG	YAV2C-	YSV2C-	1
#1 AWG	#4-#1 AWG	YAV1CL-	YSV1CL-	1	#4 - #1 AWG	YAV1C-	YSV1C-	1
1/0 AWG	#4-1/0 AWG	YAV25L-	YSV25L-	1	#6 - 1/0 AWG	YAV25-	YSV25-	2
2/0 AWG	#2 - 2/0 AWG	YAV26L-	YSV26L-	1	#4 - 2/0 AWG	YAV26-	YSV26-	2
3/0 AWG	#1 - 3/0 AWG	YAV27L-	YSV27L-	1	#2 - 3/0 AWG	YAV27-	YSV27-	2
4/0 AWG	1/0 - 4/0 AWG	YAV28L-	YSV28L-	1	#1 - 4/0 AWG	YAV28-	YSV28-	2
250 kcmil	3/0 - 250	YAV29L-	YSV29L-	1	1/0 - 250	YAV29-	YS29-	2
300 kcmil	4/0 - 313.1	YA32L-	YS32L-	1	2/0 - 313.1	YA32-	YS32-	2
350 kcmil	250 - 373.7	YA34L-	YS34L-	1	3/0 - 373.7	YA34-	YS34-	2
450 kcmil	250 - 444.4	YA36L-	—	1	4/0 - 444.4	YA36-	—	2
500 kcmil	373.7 - 535.3	YA38L-	—	1	4/0 - 535.3	YA38-	—	2
600 kcmil	373.7 - 600	YA39L-	—	2	250 - 600	YA39-	—	3
650 kcmil	444.4 - 646	YA40L-	—	2	373.3 - 646	YA40-	—	3
750 kcmil	535.3 - 777.7	YA44L-	—	2	535.3 - 777.7	YA44-	—	3

Note: Number of crimps listed is "per side" when referring to splices.

COPPER CONDUCTOR (Flex Only)

COPPER CONNECTORS

Wire Size	Expanded Range	Standard Barrel			Long Barrel		
		Terminal	Splice	# Crimps	Terminal	Splice	# Crimps
#8 AWG	#8 AWG	YA8CL-	YS8CL-	1	YA8C-	YS8C-	1
#6 AWG	#6 AWG	YA6CL-	YS6CL-	1	YA6C-	YS6C-	1
#4 AWG	#6 - #4	YA4CL-	YS4CL-	1	YA4C-	YS4C-	1
#2 AWG	#6-#2	YA2CL-	YS2CL-	1	YA2C-	YS2C-	2
#1 AWG	#6-#1	YA1CL-	YS1CL-	1	YA1C-	YS1C-	2
1/0 AWG	#6-1/0	YA25L-	YS25L-	1	YA25-	YS25-	2
2/0 AWG	#4 - 2/0	YA26L-	YS26L-	1	YA26-	YS26-	2
3/0 AWG	#2 - 3/0	YA27L-	YS27L-	2	YA27-	YS27-	2
4/0 AWG	#1 - 4/0	YA28L-	YS28L-	2	YA28-	YS28-	2
250 kcmil	1/0 - 250	YA29L-	YS29L-	2	YA29-	YS29-	2
300 kcmil	2/0 - 300	YA30L-	YS30L-	2	YA30-	YS30-	3
350 kcmil	3/0 - 350	YA31L-	YS31L-	2	YA31-	YS31-	3
400 kcmil	4/0 - 400	YA32L-	YS32L-	2	YA32-	YS32-	3
500 kcmil	4/0 - 500	YA34L-	YS34L-	2	YA34-	YS34-	4
600 kcmil	250 - 600	YA36L-	—	2	YA36-	—	4
700 kcmil	350-700	YA38L-	—	3	YA38-	—	4
750 kcmil	500-750	YA39L-	—	3	YA39-	—	4
800 kcmil	500-800	YA40L-	—	3	YA40-	—	4
1000 kcmil	750-1000	YA44L-	—	3	YA44-	—	4

Note: Number of crimps listed is "per side" when referring to splices.

COPPER CONDUCTOR (Code & Compact)

AYP/APO CONNECTORS

Wire Size	Expanded Range	ALUMINUM & COPPER CONDUCTOR (Code & Compact)		
		Pin Straight	Pin Offset	# Crimps
#6 AWG	#6 AWG	AYP6	—	1
#4 AWG	#4 AWG	AYP4	—	1
#2 AWG	#4 - #2 AWG	AYP2	—	1
#1 AWG	#2 - #1 AWG	AYP1	—	1
1/0 AWG	#2 - 1/0 AWG	AYP1/0	—	1
2/0 AWG	#1 - 2/0 AWG	AYP2/0	AYP02/0	2
3/0 AWG	1/0 - 3/0 AWG	AYP3/0	AYP03/0	2
4/0 AWG	2/0 - 4/0 AWG	AYP4/0	AYP04/0	2
250 kcmil	3/0 - 250 kcmil	AYP250	AYP0250	2
300 kcmil	4/0 - 300 kcmil	AYP300	AYP0300	2
350 kcmil	250 - 350 kcmil	AYP350	AYP0350	2
400 kcmil	350 - 500 kcmil	AYP400	AYP0400	2
500 kcmil	350 - 500 kcmil	AYP500	AYP0500	2
600 kcmil	400 - 600 kcmil	AYP600	AYP0600	3
750 kcmil	500 - 750 kcmil	AYP750	AYP0750	3

ALUMINUM CONNECTORS

Wire Size	Expanded Range	ALUMINUM & COPPER CONDUCTOR (Code & Compact)		
		Terminal	Splice	# Crimps
#8 AWG	#8 AWG	YA8CA-	YS8CA-	1
#6 AWG	#6 AWG	YA6CA-	YS6CA-	1
#4 AWG	#6 - #4 AWG	YA4CA-	YS4CA-	1
#2 AWG	#6-#2 AWG	YA2CA-	YS2CA-	2
#1 AWG	#6-#1 AWG	YA1CA-	YS1CA-	2
1/0 AWG	#6-1/0 AWG	YA25A-	YS25A-	2
2/0 AWG	#4 - 2/0 AWG	YA26A-	YS26A-	2
3/0 AWG	#2 - 3/0 AWG	YA27A-	YS27A-	2
4/0 AWG	#1 - 4/0 AWG	YA28A-	YS28A-	2
250 kcmil	1/0 - 250	YA29A-	YS29A-	2
300 kcmil	2/0 - 300	YA30A-	YS30A-	2
350 kcmil	3/0 - 350	YA31A-	YS31A-	3
400 kcmil	4/0 - 400	YA32A-	YS32A-	4
500 kcmil	4/0 - 500	YA34A-	YS34A-	4
600 kcmil	250 - 600	YA36A-	—	4
750 kcmil	500-750	YA39A-	—	4

Note: Number of crimps listed is "per side" when referring to splices.

4 POINT C-HEAD EXPANDED WIRE RANGES

TO ORDER BURNDY® PRODUCTS CALL		4 POINT C-HEAD SELF CONTAINED	
UNITED STATES: 1-800-346-4175 (LONDONDERRY, NH)		ITEM NO: 10078363	
CANADA: 1-800-361-6975 (QUEBEC) 1-800-387-6487 (ALL OTHER PROVINCES)		CAT. NO: Y4PC834	
FOR PRODUCT INFO: http://www.burndy.com		DRAWN BY: A MONTMINY 05/23/2007	
		CHECKER: -- --	
		DSN APPVL: J AYER 07/25/2007	
		MFG APPVL: W BENEDICT 08/13/2007	
		QA APPVL: J BRODEUR 07/26/2007	
		MKT APPVL: R ROBICHAU 08/08/2007	
		SCALE: 1:4	
		DRAWING NO	
		PROJECT #: 13389	
		DOCUMENT TYPE: Sales	
		REL LEVEL: Released	
		DRAWING NO	
		SIZE	
		10080934	
		SHEET 2 OF 2	

REV: PE0200