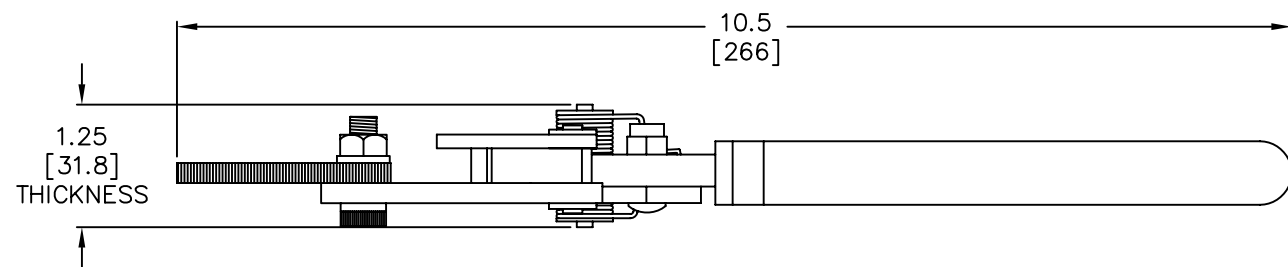
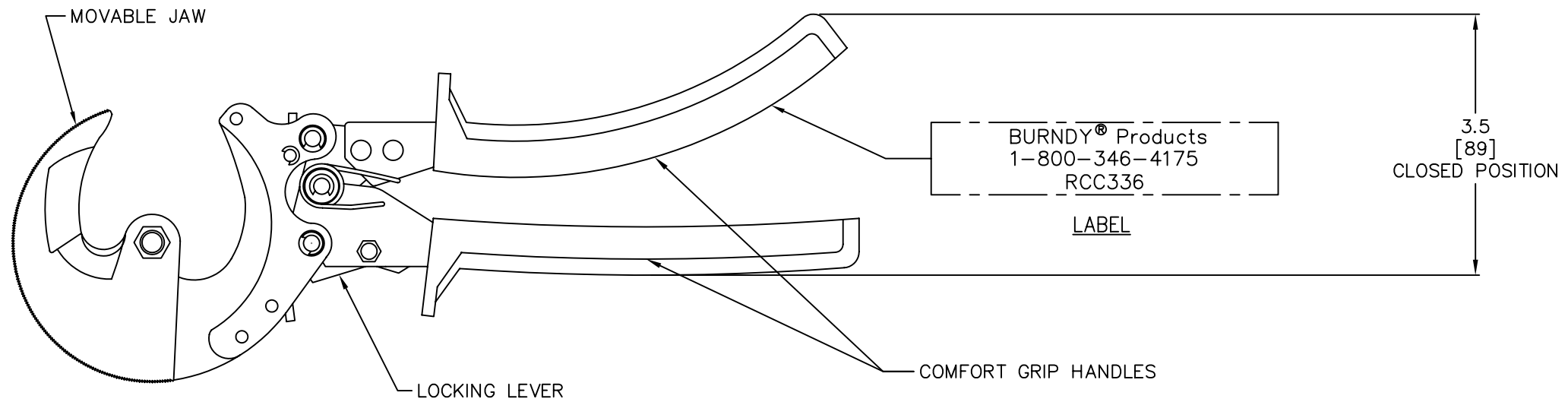


DRAWING NO.
10082457

REV.	DATE	DESCRIPTION	ECO	BY	C'K'D.
B	10/1/07	CHNG'D CUTTING CAPACITY FROM 400 KCMIL AL. TO 500 KCMIL AL. & INSUL DIA. TO 1.25	15052	PL	DG



CUTTING CAPACITY	
!WARNING DO NOT CUT ENERGIZED LINE	
ACSR – 336 kcmil	
COPPER – 350 kcmil	
ALUMINUM – 500 kcmil	
MAX. INSULATION DIA. – 1.25 IN. [32]	

NOTES:

READ AND FOLLOW ALL INSTRUCTIONS PROVIDED BY THE OPERATOR'S MANUAL AND WARNING LABELS BEFORE USING THIS TOOL.

DIMENSIONS IN BRACKETS [] ARE IN MILLIMETERS ROUNDED OFF TO THE NEAREST MILLIMETER, UNLESS OTHERWISE SPECIFIED. DIMENSIONS ARE FOR REFERENCE ONLY.

SPECIFICATIONS

WEIGHT: 1.2 LBS. [0.5 KG].

JAWS:
PATENTED HIGH STRENGTH STEEL, AND REPLACEABLE. YIELDING MINIMUM CONDUCTOR DISTORTION.

HANDLES:
STEEL WITH COMFORT GRIP DESIGN AND ERGONOMIC HANDLE ENDS PROVIDES A POSITIVE ANTI-SLIP GRIP.

STEEL HANDLE MATERIAL.

TYPE OF MECHANISM: HAND DRIVEN RATCHET.

TO ORDER BURNDY PRODUCTS CALL 1-800-346-4175
MANCHESTER, NH 03109, USA
FOR PRODUCT INFO = <http://www.burndy.com>

CABLE CUTTER

ITEM NO: 10082221

CAT NO: RCC336

SCALE: 1/1	
DRAWN BY: P LAPONIUS	9/13/07
CHECKER: D GIORANO	9/25/07
DSN APPVL: J LEFAVOUR	9/26/07
MFG APPVL: T BONINA	9/26/07
QC APPVL: J BRODEUR	9/26/07
MKT APPVL: --	--
PROD FAM: --	--
PROJECT #: --	SIZE
DOCUMENT TYPE: Sales	C
REL LEVEL: AutoCAD	

BURNDY

TO ORDER BURNDY® PRODUCTS CALL
UNITED STATES:
1-800-346-4175 (LONDONDERRY, NH)
CANADA:
1-800-361-6975 (QUEBEC)
1-800-387-6487 (ALL OTHER PROVINCES)
FOR PRODUCT INFO: <http://www.burndy.com>

DRAWING NO	REV
10082457	B
SHEET 1 OF 1	