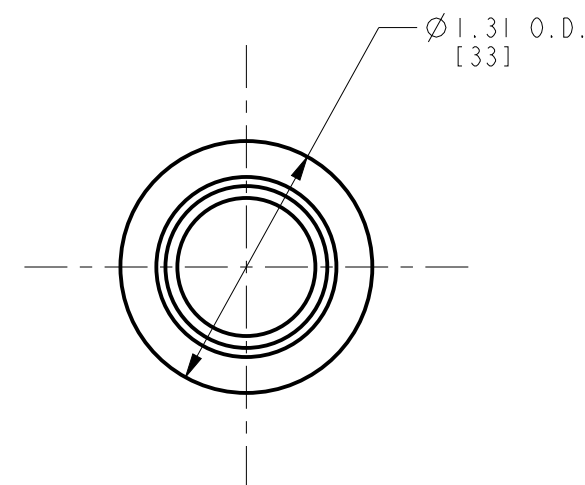
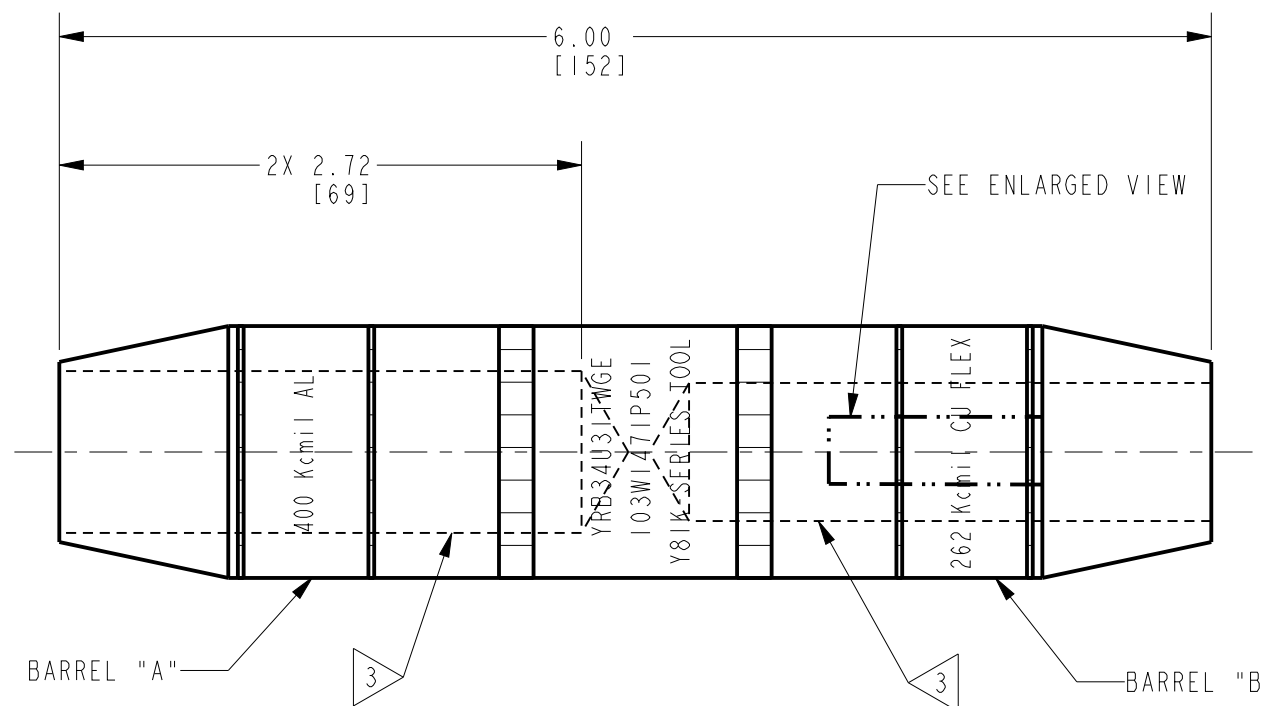


CONDUCTORS ACCOMMODATED

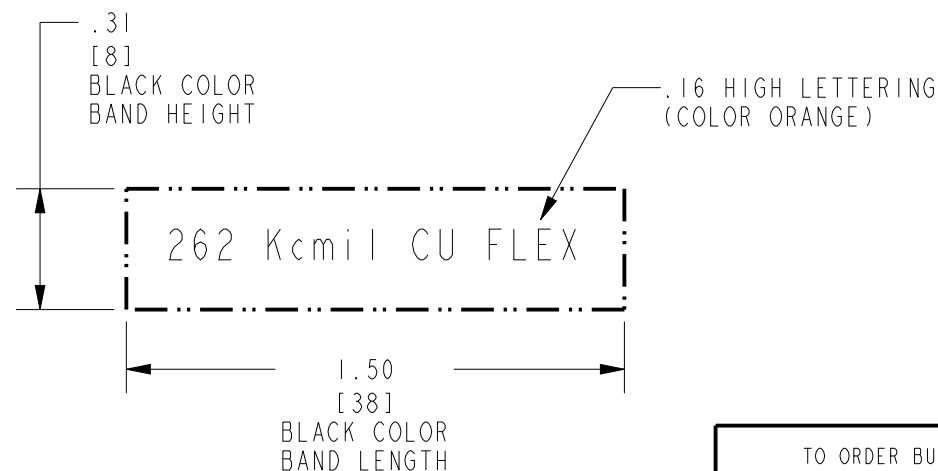
BARREL "A" ALUMINUM 8,000 SERIES CONDUCTORS			BARREL "B" COPPER CONDUCTORS
CONCENTRIC	COMPRESSED	COMPACT	
400-37 STR, CLASS A&B (.728 DIA.)	400-37 STR, CLASS A&B (.706 DIA.)	400-37 STR, CLASS A&B (.659 DIA.)	262.6 (650/24) DLO (.660 DIA.)
400-61 STR, CLASS C (.729 DIA.)	400-61 STR, CLASS C (.707 DIA.)	400-61 STR, CLASS C (.659 DIA.)	
400-91 STR, CLASS D (.729 DIA.)	400-91 STR, CLASS D (.707 DIA.)	400-91 STR, CLASS D (.659 DIA.)	

REV.	DATE	DESCRIPTION	ECO	BY	C'H'K.
B	05/05/2017 00:00:00 AM	LOGO UPDATED	46675	CV	MB



NOTES:

1. MATERIAL: ALUMINUM
2. FINISH: TIN PLATED
3. BARRELS ARE PARTIALLY FILLED WITH PENETROX™ A13 AND SEALED.
4. SCRATCH BRUSHING OF ALL ALUMINUM CONDUCTORS BEFORE MAKING INSTALLATION IS RECOMMENDED.
5. NOT FOR USE WITH COPPER TO COPPER APPLICATIONS.
6. DIMENSIONS IN BRACKETS [] ARE MILLIMETERS ROUNDED OFF TO THE NEAREST MILLIMETER UNLESS OTHERWISE SPECIFIED, AND ARE FOR REFERENCE ONLY.
7. CRIMP WITH Y81K-SERIES 4 POINT TOOL (2 CRIMPS PER END).
8. WIRE STRIP LENGTH = 2-13/16".
9. OPTIONAL: Y750-/PAT750 - PLATFORM TOOLS USING U34ART DIE SET.



ENLARGED BAND VIEW
(3 AROUND CIRCUMFERENCE)

TO ORDER BURNDY® PRODUCTS CALL
 UNITED STATES:
 1-800-346-4175 (LONDONDERRY, NH)
 CANADA:
 1-800-361-6975 (QUEBEC)
 1-800-387-6487 (ALL OTHER PROVINCES)
 FOR PRODUCT INFO: <http://www.burndy.com>

HYREDUCER™	
ITEM NO:	10082050
CAT. NO:	YRB34U31TWGE
DRAWN BY:	R. BOISVERT 06/23/08
CHECKER:	J. MICHAUD 06/24/08
DSN APPVL:	J. MICHAUD 05/21/08
MFG APPVL:	M. SMITH 05/21/08
QA APPVL:	J. BRODEUR 05/21/08
MKT APPVL:	J. SYLVIA 05/20/08
PROD FAM:	--
PROJECT #:	--
DOCUMENT TYPE:	Sales
REL LEVEL:	Released
SCALE:	1:1
DRAWING NO	10082901
REV	B
SHEET 1 OF 1	



REV: PE0200