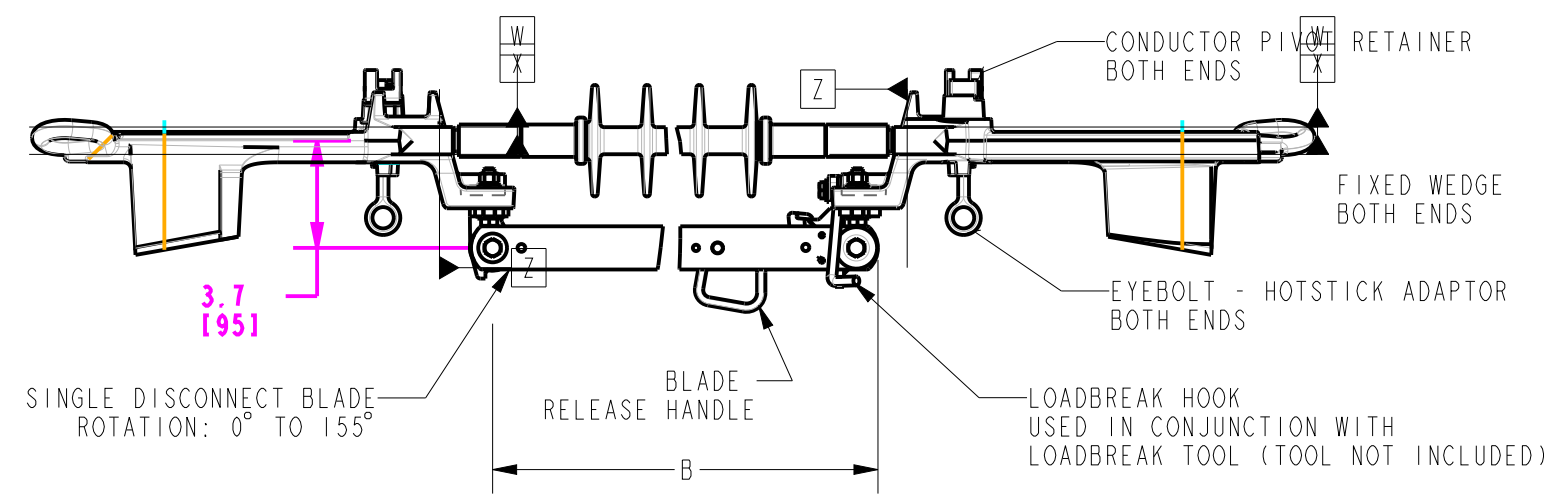
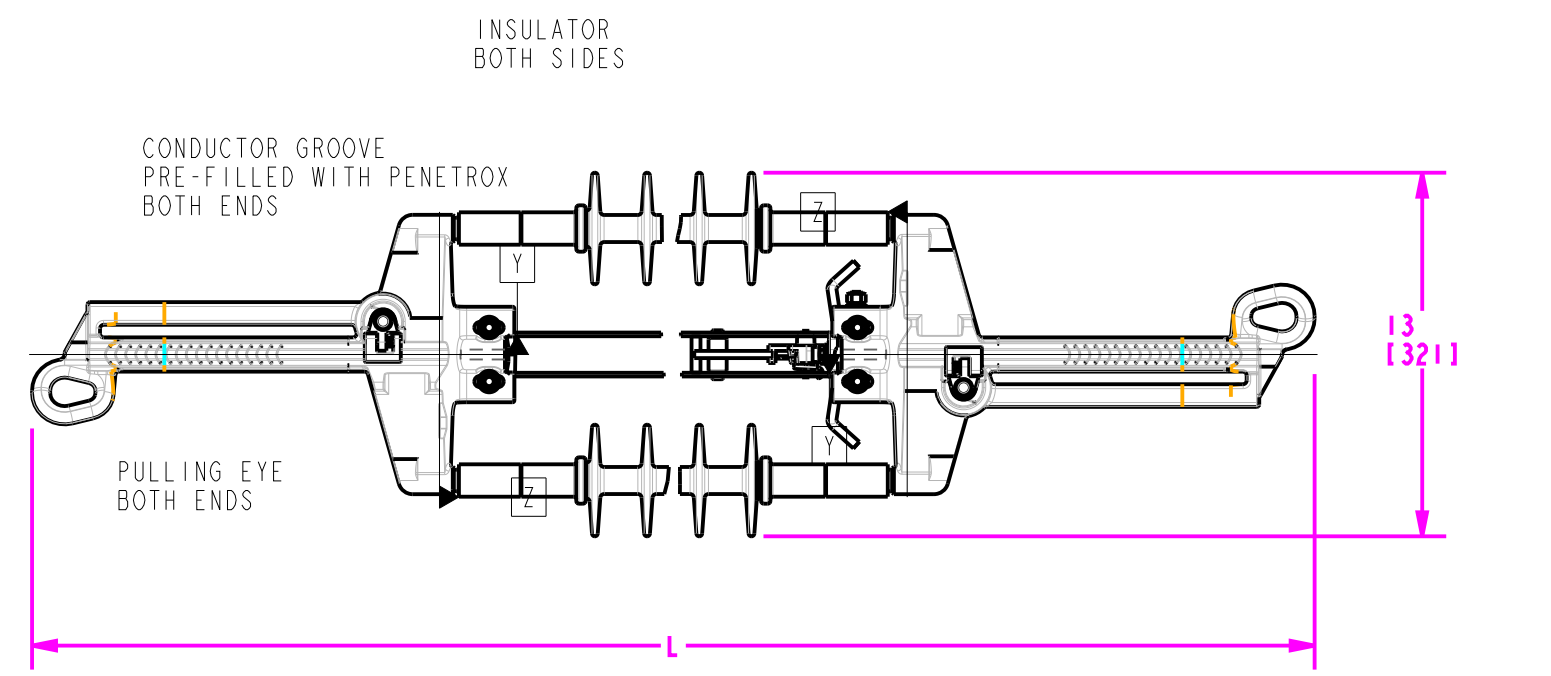


REV.	DATE	DESCRIPTION	ECO	BY	C'H'K.
G	10/27/2015 00:00:00 AM	ADD COLUMN ON SHEET 2 PER W/U.	41906	RB	BK



NOTES:

- SUPPLIED WITH (2) CONNECTOR SHELLS (SEE TABLE) INDIVIDUALLY PACKAGED IN POLYBAG WITH PENETROX (NOT SHOWN). BOOSTER AND INSTALLATION TOOLING NOT INCLUDED.
- MATERIAL
CAST HIGH-CONDUCTIVITY ALUMINUM CONNECTOR BODY AND ALUMINUM CONNECTOR SHELL, COPPER BLADE, BRASS FITTINGS, SILICONE FIBERGLASS RODS AND STAINLESS STEEL HARDWARE.
- RATINGS
VOLTAGE: (SEE TABLE)
FREQUENCY: 60 HERTZ
BASIC IMPULSE INSULATION LEVEL (BIL) : (SEE TABLE)
- CONTINUOUS CURRENT
ALLOWABLE RATING : 900 AMPERE RMS
PER ANSI C37-32.3.1.1 1990 : 800 AMPERE RMS
- SHORT TIME CURRENT
MOMENTARY CURRENT : 40,000 AMPERE RMS, ASYMMETRICAL
THREE SECOND CURRENT : 25,000 AMPERE RMS, SYMMETRICAL
- STRENGTH
BODY STRENGTH : 10,000 LBS.
PULLING EYE STRENGTH : 6,000 LBS.
- IN-LINE SWITCH CAN BE INSTALLED WITH AND WITHOUT HOT STICK TOOLING. FOR REPLACEMENT CONNECTOR SHELLS (SEE TABLE).
- DIMENSIONS IN BRACKETS [] DENOTES METRIC UNITS [SI UNITS] AND ARE ROUNDED TO THE NEAREST WHOLE NUMBER. UNLESS OTHERWISE SPECIFIED THESE UNITS SHALL BE USED FOR REFERENCE ONLY.

TO ORDER BURNDY® PRODUCTS CALL		IN-LINE SWITCH, WEJTAP APPLIED DEVICE													
UNITED STATES: 1-800-346-4175 (LONDONDERRY, NH)		ITEM NO: SEE TABLE ABOVE													
CANADA: 1-800-361-6975 (QUEBEC) 1-800-387-6487 (ALL OTHER PROVINCES)		CAT. NO: SEE TABLE ABOVE													
FOR PRODUCT INFO: http://www.burndy.com		<table border="1"> <tr> <td>DRAWN BY: D.DOBROINSKI</td> <td>10/23/07</td> </tr> <tr> <td>CHECKER: P.CHAN</td> <td>11/16/07</td> </tr> <tr> <td>DSN APPVL: P.CHAN</td> <td>01/08/08</td> </tr> <tr> <td>MFG APPVL: --</td> <td>--</td> </tr> <tr> <td>QA APPVL: M.HERRICK</td> <td>01/03/08</td> </tr> <tr> <td>MKT APPVL: D.HAMILTON</td> <td>12/21/08</td> </tr> </table>		DRAWN BY: D.DOBROINSKI	10/23/07	CHECKER: P.CHAN	11/16/07	DSN APPVL: P.CHAN	01/08/08	MFG APPVL: --	--	QA APPVL: M.HERRICK	01/03/08	MKT APPVL: D.HAMILTON	12/21/08
DRAWN BY: D.DOBROINSKI	10/23/07														
CHECKER: P.CHAN	11/16/07														
DSN APPVL: P.CHAN	01/08/08														
MFG APPVL: --	--														
QA APPVL: M.HERRICK	01/03/08														
MKT APPVL: D.HAMILTON	12/21/08														
SCALE: 3:20		DRAWING NO													
PROJECT #: --		10083326													
DOCUMENT TYPE: Sales		SHEET 1 OF 2													
REL LEVEL: Released		G													

REV: PE0200

BURNDY® PRODUCTS - WEJTAP APPLIED DEVICE TABLE (WAD)


REV.	DATE	DESCRIPTION	ECO	BY	C'H'K.
G	10/27/2015 00:00:00 AM	ADD COLUMN ON SHEET 2 PER M/U.	41906	RB	BK

ITEM NUMBER	CATALOG NUMBER	CONDUCTOR DIA. RANGE	ACCOMMODATES CONDUCTOR		SEE NOTE #3		REPLACEMENT CONNECTOR SHELL		DIMENSIONS	
			ACSR SIZE AWG OR Kcmil	AAC SIZE Kcmil	kV AC MAX	(BIL)	CATALOG NO.	REQ'D.	L	B
50007058	WAD10-15	.398"-.502"	1/0 - 6/1 2/0 - 6/1 3/0 - 6/1	2/0 3/0	15	110 kV	WADRT1	2	45 [1140]	13.4 [340]
50007062	WAD10-29				29	150 kV	WADRT1	2	49 [1250]	17.9 [455]
50010106	WAD10-35				35	200 kV	WADRT1	2	54 [1370]	22.4 [569]
10102534	WAD40-15	.552"-.609"	4/0 - 6/1 266.8 - 18/1	4/0 250 266.8 7 & 19 STR. 336 COMPACT	15	110 kV	WADRT1	2	45 [1140]	13.4 [340]
10102535	WAD40-29				29	150 kV	WADRT1	2	49 [1250]	17.9 [455]
10102536	WAD40-35				35	200 kV	WADRT1	2	54 [1370]	22.4 [569]
10075559	WAD336-15	.642"-.723"	266.8 (26/7) 266.8 (30/7) 336.4 (18/1) 336.4 (26/7)	397.5 336.4 350 477 COMPACT	15	110 kV	WADRT2	2	45 [1140]	13.4 [340]
10083897	WAD336-29				29	150 kV	WADRT2	2	49 [1250]	17.9 [455]
10083898	WAD336-35				35	200 kV	WADRT2	2	54 [1370]	22.4 [569]
10083899	WAD477-15	.741"-.814"	336.4 (30/7) 397.5 (18/1) 397.5 (26/7) 397.5 (30/7) 477 (18/1)	477 500 556 COMPACT	15	110 kV	WADRT1	2	45 [1140]	13.4 [340]
10083900	WAD477-29				29	150 kV	WADRT1	2	49 [1250]	17.9 [455]
10083901	WAD477-35				35	200 kV	WADRT1	2	54 [1370]	22.4 [569]
10083902	WAD556-15	.846"-.883"	477 (24/7) 477 (26/7) 477 (30/7) 556.5 (18/1)	556.5	15	110 kV	WADRT2	2	45 [1140]	13.4 [340]
10083903	WAD556-29				29	150 kV	WADRT2	2	49 [1250]	17.9 [455]
10083904	WAD556-35				35	200 kV	WADRT2	2	54 [1370]	22.4 [569]
10102538	WAD795-15	.953"-1.040"	556.5 (26/7) 556.5 (30/7) 636 (24/7) 636 (26/7) 795 (36/1)	795	15	110 kV	WADRT3	2	45 [1140]	13.4 [340]
10102539	WAD795-29				29	150 kV	WADRT3	2	49 [1250]	17.9 [455]
10102540	WAD795-35				35	200 kV	WADRT3	2	54 [1370]	22.4 [569]

TO ORDER BURNDY® PRODUCTS CALL
 UNITED STATES:
 1-800-346-4175 (LONDONDERRY, NH)
 CANADA:
 1-800-361-6975 (QUEBEC)
 1-800-387-6487 (ALL OTHER PROVINCES)
 FOR PRODUCT INFO: <http://www.burndy.com>

IN-LINE SWITCH, WEJTAP APPLIED DEVICE
 ITEM NO: SEE TABLE ABOVE
 CAT. NO: SEE TABLE ABOVE
 DRAWN BY: D. DOBRINSKI 10/23/07
 CHECKER: P. CHAN 11/16/07
 DSN APPVL: P. CHAN 01/08/08
 MFG APPVL: --
 QA APPVL: M. HERRICK 01/03/08
 MKT APPVL: D. HAMILTON 12/21/08
 PROD FAM: IN-LINE SWITCH
 PROJECT #: --
 DOCUMENT TYPE: Sales
 REL LEVEL: Released

SCALE: 3:20
 DRAWING NO: 10083326
 REV: G
 SHEET 2 OF 2



REV: PE0200