

FIGURE 2

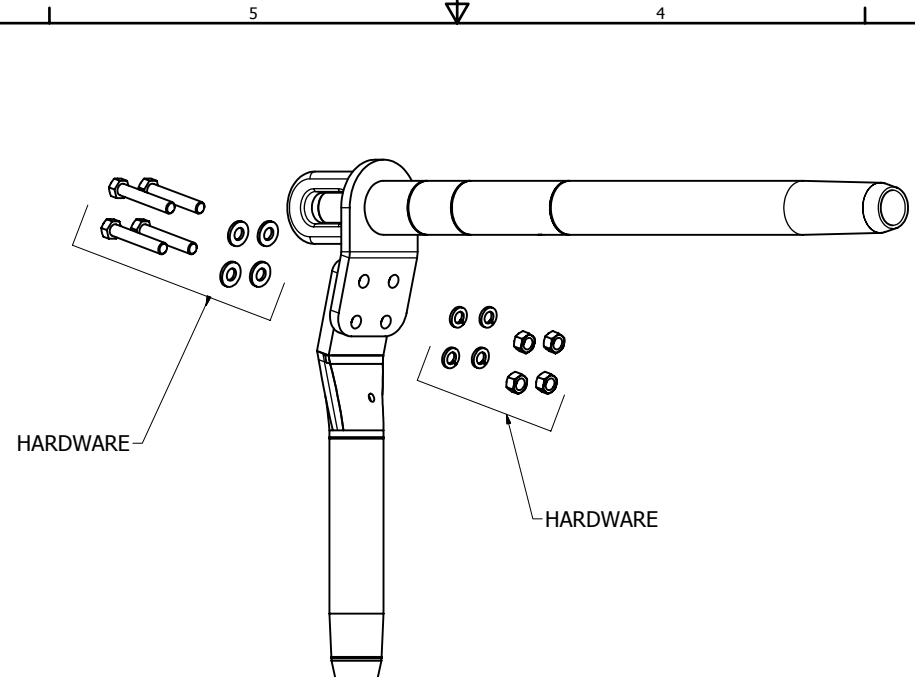
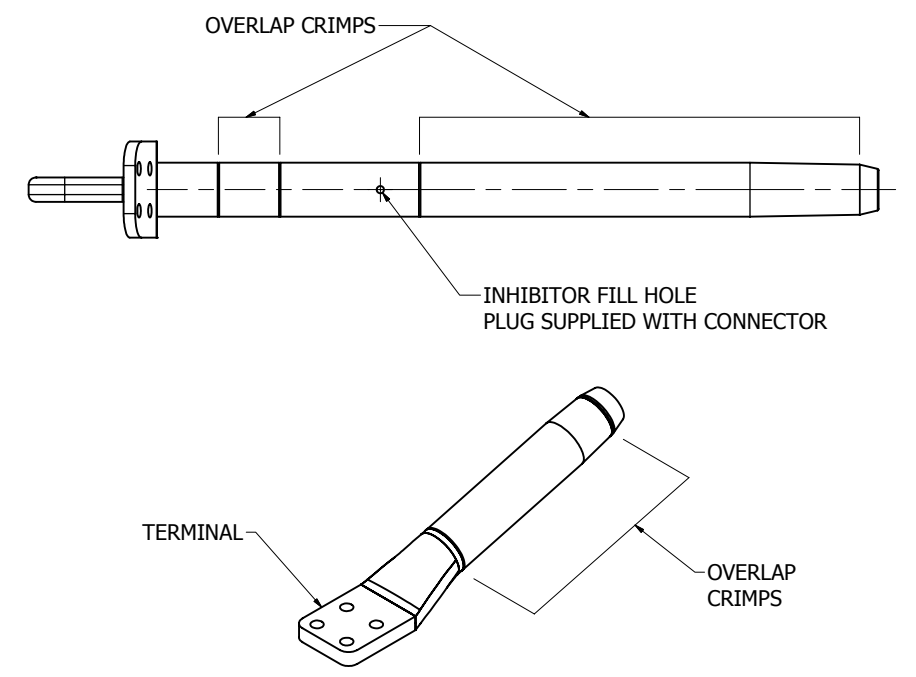


FIGURE 1



BURNDY FULL TENSION ACSS EHV DEAD END KITS															
ACSS CONDUCTORS				DEAD END KITS			KITS CONTAINS (REFERENCE SALES DRAWINGS FOR INSTALLATION TOOLING, INSTALLATION TOOLING NOT INCLUDED)								
ACSS CONDUCTOR CODE NAME	KCMIL	STRANDING	CONDUCTOR O.D. INCHES[MM]	KIT CATALOG NUMBER	KIT ITEM NUMBER	FIGURE	ALUMINUM DEAD ENO ASSY.			SHIELDING CAP		TERMINAL			
							CATALOG NUMBER	COMPONENT SALES DRAWING	QTY	CATALOG NUMBER	QTY	CATALOG NUMBER	MOUNTING HARDWARE CATALOG NUMBER	COMPONENT SALES DRAWING	QTY
LINNET	336.4	26/7	0.720 [18]	YTW32RT34REKHT	30011125	1	YTW32RT34REKHTNT	10097737	1	NA	NA	BYNA32RT15HHT	TMH9	10092588	1
ORIOLE	336.4	30/7	0.741 [19]	YTW32RT33REKHT	30011123	1	YTW32RT33REKHTNT		1	NA	NA	BYNA32RT15HHT	TMH9		1
IBIS	397.5	26/7	0.783 [20]	YTW34RT34REKHT	30011141	1	YTW34RT34REKHTNT		1	NA	NA	BYNA34RT15HHT	TMH9		1
FLICXER	477.0	24/7	0.846 [21]	YTW36RT362REKHT	30011161	1	YTW36RT362REKHTNT		1	NA	NA	BYNA36RT15HHT	TMH9		1
HAWK	477.0	26/7	0.858 [22]	YTW36RT36REKHT	10085265	1	YTW36RT36REKHTNT		1	NA	NA	BYNA36RT15HHT	TMH9		1
				YTW36RT36REKHTSSDN	50079506	1	YTW36RT36REKHTNTSSDN		1	NA	NA	BYNA36RT15HHTSSDN	TMH354		1
PARAKEET	556.5	24/7	0.914 [23]	YTW39RT43REKHT	30011178	1	YTW39RT43REKHTNT		1	NA	NA	BYNA39RT15HHT	TMH9		1
DOVE	556.5	26/7	0.927 [24]	YTW39RT43REKHT	30011178	1	YTW39RT43REKHTNT		1	NA	NA	BYNA39RT15HHT	TMH9		1
				YTW39RT43REKHTSSDN	30011178	1	YTW39RT43REKHTNTSSDN		1	NA	NA	BYNA39RT15HHTSSDN	TMH354		1
PEACOCK	605	24/7	0.953 [24]	YTW43RT43REKHT	30011193	1	YTW43RT43REKHTNT	1	NA	NA	BYNA43RT15HHT	TMH9	1		

NOTES:

- MATERIAL
  - CONNECTOR EYE, STEEL ALLOY
  - CONNECTOR TUBE ASSEMBLY, TERMINAL AND SHIELDING CAPS, ALUMINUM ALLOY, NO-OX-ID COATED
  - HARDWARE: BOLTS, FLAT WASHERS AND NUTS, ALUMINUM ALLOY
  - RESILIENT WASHERS, GALVANIZED STEEL
  - RUBBER GASKET
- RECOMMENDED TIGHTENING TORQUE:  
ALUMINUM HARDWARE: 1/2-13 300 INCH POUNDS.
- DESIGNED FOR CORONA FREE OPERATION TO 230 KV FOR CORONA FREE OPERATION ABOVE 230 KV UP TO 550 KV SHIELDING CAPS ARE REQUIRED - SHIELDING CAPS AND HARDWARE SUPPLIED WITH KIT (AS SHOWN).
- DIMENSIONS IN BRACKETS [ ] DENOTES METRIC UNITS [SI UNITS] AND ARE ROUNDED TO THE NEAREST WHOLE NUMBER. UNLESS OTHERWISE SPECIFIED THESE UNITS SHALL BE USED FOR REFERENCE ONLY.

REV	DATE	DESCRIPTION	ECO	BY	CHK.
J	01/23/2015	FOCUS REQUEST FPN1701080	45839	CV	MB

TO ORDER BURNDY® PRODUCTS CALL		FULL TENSION, ACSS EHV DEADEND KITS	
UNITED STATES 1-800-346-4175 (LONDONDERRY, NH)		ITEM NO: SEE TABLE	
CANADA: 1-800-361-6975 (QUEBEC) 1-800-387-6487 (ALL OTHER PROVINCES)		CAT. NO: SEE TABLE	
FOR PRODUCT INFO: <a href="http://www.burndy.com">http://www.burndy.com</a>		DRAWN BY: D.DOBROINSKI 5/2/2008	
		CHECKER: PW 5/1/2008	
		DSN APRVL: P.WALTZ	
		MFG APRVL: --	
		QA APRVL: --	
		MKT APRVL: D.HAMILTON	
		PROD FAM: TRANSMISSION	
		PROJECT #: --	
		DOCUMENT TYPE: SALES	
		REL LEVEL: Released	
		SIZE: D	
		DRAWING NO: 10085264	
		SHEET 1 OF 2	
		REV: J	

BURNDY FULL TENSION ACSS EHV DEAD END KITS															
ACSS CONDUCTORS				DEAD END KITS			KITS CONTAINS (REFERENCE SALES DRAWINGS FOR INSTALLATION TOOLING, INSTALLATION TOOLING NOT INCLUDED)								
ACSS CONDUCTOR CODE NAME	Kcmil	STRANDING	CONDUCTOR O.D. INCHES[MM]	KIT CATALOG NUMBER	KIT ITEM NUMBER	FIGURE	ALUMINUM DEAD END ASSY.			SHIELDING CAP		TERMINAL			
							CATALOG NUMBER	COMPONENT SALES DRAWING	QTY	CATALOG NUMBER	QTY	CATALOG NUMBER	MOUNTING HARDWARE CATALOG NUMBER	COMPONENT SALES DRAWING	QTY
SQUAB	605	26/7	0.966 [25]	YTW43RT43REKHT	30011193	1	YTW43RT43REKHTNT		1	NA	NA	BYNA43RT15HHT	TMH4		1
ROOK	636	24/7	0.977 [25]	YTW43RT43REKHT	30011193	1	YTW43RT43REKHTNT		1	NA	NA	BYNA43RT15HHT	TMH4		1
GROSBEAK	636	26/7	0.991 [25]	YTW43RT43REKHT	30011193	1	YTW43RT43REKHTNT		1	NA	NA	BYNA43RT15HHT	TMH4		1
FLAMINGO	666.6	24/7	1.000 [25]	YTW43RT43REKHT	30011193	1	YTW43RT43REKHTNT		1	NA	NA	BYNA43RT15HHT	TMH4		1
STARLING	715.5	26/7	1.051 [27]	YTW451RT48REKHT	10088945	1	YTW451RT48REKHTNT		1	NA	NA	BYNA451RT15HHT	TMH24		1
CUCKOO	795	24/7	1.092 [28]	YTW451RT45REKHT	30011214	1	YTW451RT45REKHTNT		1	NA	NA	BYNA451RT15HHT	TMH24		1
DRAKE	795	26/7	1.107 [28]	YTW451RT48REKHT	10088945	1	YTW451RT48REKHTNT		1	NA	NA	BYNA451RT15HHT	TMH24		1
TERN	795	45/7	1.063 [27]	YTW451RT481REKHT	10105685	1	YTW451RT481REKHTNT		1	NA	NA	BYNA451RT15HHT	TMH24		1
CONDOR	795	54/7	1.092 [28]	YTW451RT45REKHT	30011214	1	YTW451RT45REKHTNT		1	NA	NA	BYNA451RT15HHT	TMH24		1
BUZZARD	850.8	45/7	1.100 [28]	YTW451RT462REKHT	50055060	1	YTW451RT462REKHTNT		1	NA	NA	BYNA451RT15HHT	TMH24		1
RUDDY	900	45/7	1.131 [29]	YTW48RT481REKHT	10105683	1	YTW48RT481REKHTNT		1	NA	NA	BYNA49RT15HHT	TMH24		1
RAIL	954	45/7	1.165 [30]	YTW48RT481REKHT	10105683	1	YTW48RT481REKHTNT		1	NA	NA	BYNA49RT15HHT	TMH24		1
CARDINAL	954	54/7	1.196 [30]	YTW48RT48REKHT	10108659	1	YTW48RT48REKHTNT		1	NA	NA	BYNA49RT15HHT	TMH24		1
ORTOLAN	1033.5	45/7	1.212 [31]	YTW49RT483REKHT	10109093	1	YTW49RT483REKHTNT		1	NA	NA	BYNA49RT15HHT	TMH24		1
CURLEW	1033.5	54/7	1.245 [31]	YTW49RT50REKHT	30011268	1	YTW49RT50REKHTNT		1	NA	NA	BYNA49RT15HHT	TMH24		1
BLUEJAY	1113	45/7	1.258 [32]	YTW49RT483REKHT	10109093	1	YTW49RT483REKHTNT	10097737	1	NA	NA	BYNA49RT15HHT	TMH24	10092588	1
FINCH	1113	54/19	1.292 [33]	YTW52RT50REKHT	10085271	1	YTW52RT50REKHTNT		1	NA	NA	BYNA52RT15HHT	TMH9		1
				YTW52RT50REKHTSC	10085263	2			STS44A4NCG2	2	BYNA52RT15HT	TMH22		1	
BUNTING	1192.5	45/7	1.302 [33]	YTW52RT521REKHT	25018312	1	YTW52RT521REKHTNT		1	NA	NA	BYNA52RT15HHT	TMH9		1
BITTERN	1272	45/7	1.345 [34]	YTW52RT521REKHT	25018312	1	YTW52RT521REKHTNT		1	NA	NA	BYNA52RT15HHT	TMH9		1
PHEASANT	1272	54/19	1.381 [35]	YTW52RT56REKHT	10104946	1	YTW52RT56REKHTNT		1	NA	NA	BYNA52RT15HHT	TMH9		1
DIPPER	1351.5	45/7	1.386 [35]	YTW52RT521REKHT	25018312	1	YTW52RT521REKHTNT		1	NA	NA	BYNA52RT15HHT	TMH9		1
MARTIN	1351.5	54/19	1.424 [36]	YTW52RT56REKHT	10104946	1	YTW52RT56REKHTNT		1	NA	NA	BYNA52RT15HHT	TMH9		1
NUTHATCH	1510.5	45/7	1.465 [37]	YTW549RT521REKHT	30011307	1	YTW549RT521REKHTNT		1	NA	NA	BYNA56RT15HHT	TMH9		1
PARROT	1510.5	54/19	1.505 [38]	YTW549RT56REKHT	30011310	1	YTW549RT56REKHTNT		1	NA	NA	BYNA56RT15HHT	TMH9		1
LAPWING	1590	45/7	1.504 [38]	YTW549RT549REKHT	10104948	1	YTW549RT549REKHTNT		1	NA	NA	BYNA56RT15HHT	TMH9		1
FALCON	1590	54/19	1.544 [39]	YTW56RT590REKHT	10104947	1	YTW56RT590REKHTNT		1	NA	NA	BYNA56RT15HHT	TMH9		1
CHUKAR	1780	84/19	1.601 [41]	YTW58RT58REKHT	10103095	1	YTW58RT58REKHTNT		1	NA	NA	BYNA58RT15HHT	TMH9		1
BLUEBIRD	2156	84/19	1.762 [45]	YTW59RT59REKHT	30011353	1	YTW59RT59REKHTNT		1	NA	NA	BYNA59RT15HHT	TMH9		1
KIWI	2167	72/7	1.735 [44]	YTW59RT591REKHT	30011351	1	YTW59RT591REKHTNT		1	NA	NA	BYNA59RT15HHT	TMH9		1

REV	DATE	DESCRIPTION	ECO	BY	C'HK.
J	01/23/2015	FOCUS REQUEST FPN1701080	45839	CV	MB

TO ORDER BURNDY® PRODUCTS CALL		FULL TENSION, ACSS EHV DEADEND KITS	
UNITED STATES 1-800-346-4175 (LONDONDERRY, NH)		ITEM NO: SEE TABLE	
CANADA: 1-800-361-6975 (QUEBEC) 1-800-387-6487 (ALL OTHER PROVINCES)		CAT. NO: SEE TABLE	
FOR PRODUCT INFO: <a href="http://www.burndy.com">http://www.burndy.com</a>		DRAWN BY: D.DOBROINSKI 5/2/2008	
		CHECKER: PW 5/1/2008	
		DSN APRVL: P.WALTZ	
		MFG APRVL: --	
		QA APRVL: --	
		MKT APRVL: D.HAMILTON	
		PROD FAM: TRANSMISSION	
		PROJECT #: --	
		DRAWING NO: 10085264	
		DOCUMENT TYPE: SALES	
		REL LEVEL: Released	
		SIZE: D	
		SHEET 2 OF 2	
		REV: J	

