

REV.	DATE	DESCRIPTION	ECO	BY	C.H.K.
D	08/04/2015 12:14:00 PM	REPLACING THE HANDLE 10079415 TO 50024492	40743	AS	MB

PATRIOT®

BATTERY ACTUATED TOOL - HYDRAULIC SELF CONTAINED -
11 TON OUTPUT FORCE

SPECIFICATIONS

- OUTPUT FORCE: 11 TONS
- TOOL WEIGHT: 20.4 LBS
- LENGTH: 21.4 INCHES
- WIDTH: 3.7 INCHES
- HEIGHT: 12.8 INCHES
- OPERATING VOLTAGE: 18V-DC
- RECHARGE TIME: < 45 MINUTES

FEATURES

- 11 TON OUTPUT FORCE.
- STATE OF THE ART C-HEAD CUTTING HEAD DESIGN.
- HEAD ROTATES 355°.
- DURABLE HIGH IMPACT CARRYING CASE.
- 5 YEAR LIMITED WARRANTY ON THE TOOL.
- 1 YEAR WARRANTY ON THE BATTERY.
- Ni-MH BATTERY ELIMINATES VOLTAGE DEPRESSION (MEMORY ISSUES).

BENEFITS

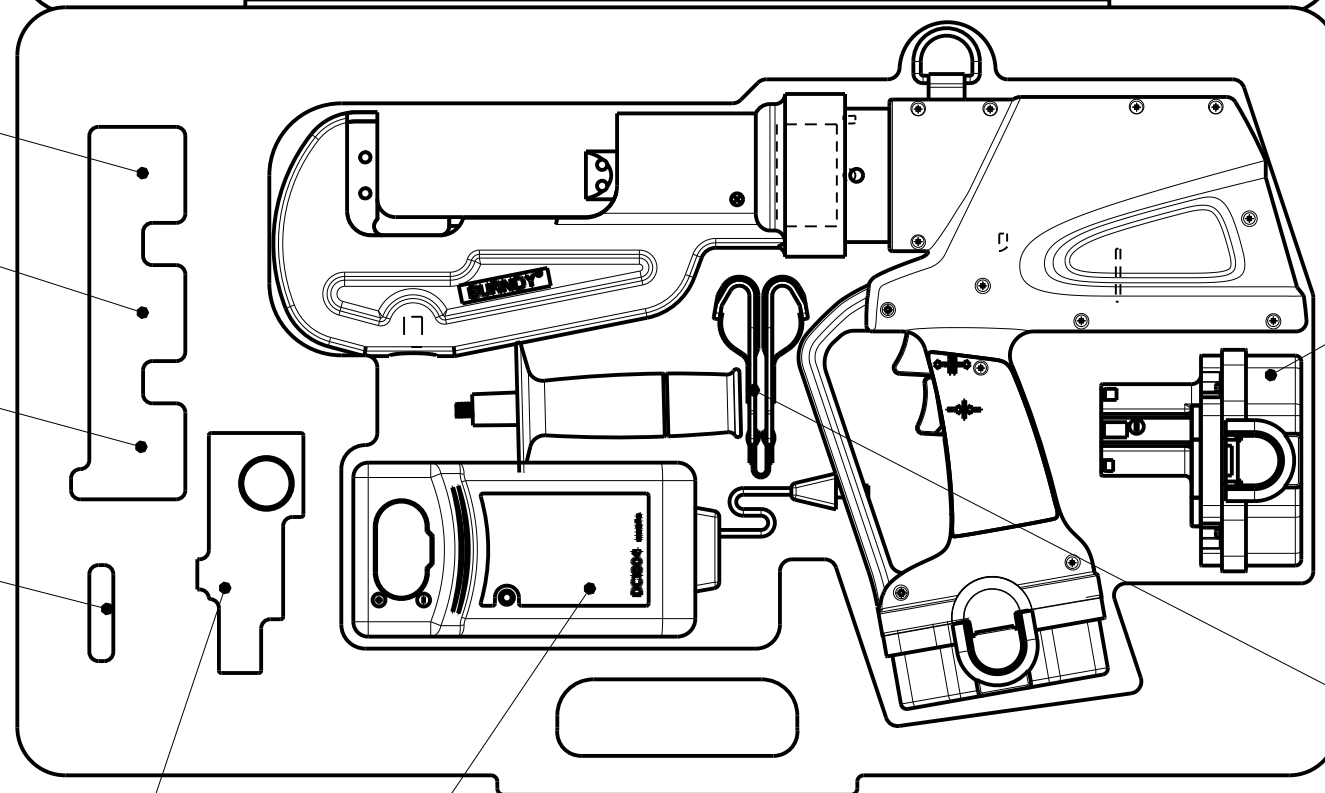
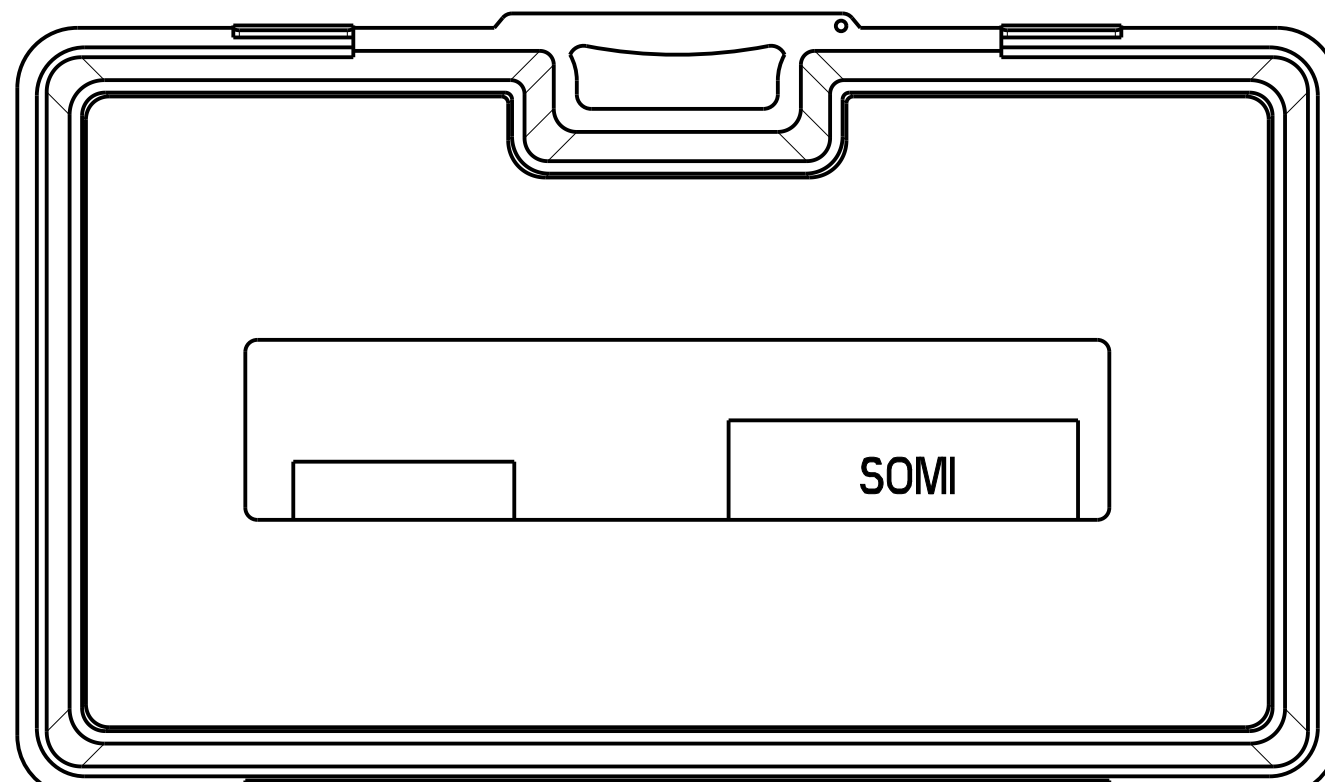
- VERSATILE TOOL HEAD POSITIONING LETS USER GET INTO TIGHT AREAS.
- LESS DOWN TIME DUE TO HIGH CAPACITY, HIGH VOLTAGE 18 VOLT BATTERY.
- SMOOTHER, QUIETER, MORE EFFICIENT TOOL OPERATION.

NOTES:

- THERE ARE SEVERAL BUYING OPTIONS THAT RESULT IN MANY DIFFERENT INDIVIDUAL CATALOG NUMBERS SUCH AS BUYING THE TOOL WITH SPECIFIC BLADES - FOR EXAMPLE PATHCC10ACSR18V. THE CHART ON SHEET 2 PROVIDES A LIST OF ALL AVAILABLE PATHCC10-18V MODELS AND WHAT IS INCLUDED WITH EACH MODEL.
- THE PATHCC10-18V SERIES TOOL ACCOMODATES FOUR DIFFERENT INTERCHANGEABLE BLADE TYPES AS SHOWN IN THE TABLE BELOW.

BLADE TABLE			
BLADE CATALOG NO.	CUTTING MATERIAL	MAX OD	
HCCACSR	ACSR	1590 KCMIL	
HCCCUAL	COPPER & ALUMINUM	1 1/2"	(38 MM)
	GROUND ROD	5/8"	(16 MM)
HCCSOL	REBAR	1/2"	(13 MM)
	SOFT STEEL BOLTS	5/8"	(16 MM)
HCCGUY	STANDARD GUY WIRE	9/16"	(14 MM)
	EHS GUY WIRE	9/16"	(14 MM)

- ALL PATRIOT PRODUCTS ARE AVAILABLE WITH A DC CHARGER PERMITTING THE CHARGING OF 18V DC BATTERIES WITH A 12V SYSTEM. SEE TABLE ON SHEET 2.
- TO ORDER 12 VOLT DC CHARGER SEPARATELY, ORDER CATALOG NUMBER BCT/PATDCCHGR. THIS CHARGER ACCOMODATES BATTERIES FROM 12V - 18V.



ACSR BLADE POCKET

CU-AL BLADE POCKET

GUY WIRE BLADE POCKET

SOLID BLADE POCKET

BLADE ADAPTER POCKET

BATTERY CHARGER

SPARE BATTERY

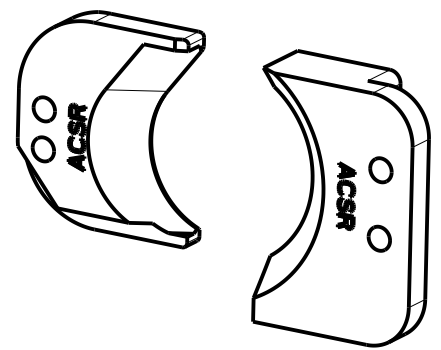
SAFETY LANYARD

TO ORDER BURNDY® PRODUCTS CALL
 UNITED STATES:
 1-800-346-4175 (LONDONDERRY, NH)
 CANADA:
 1-800-361-6975 (QUEBEC)
 1-800-387-6487 (ALL OTHER PROVINCES)
 FOR PRODUCT INFO: <http://www.burndy.com>

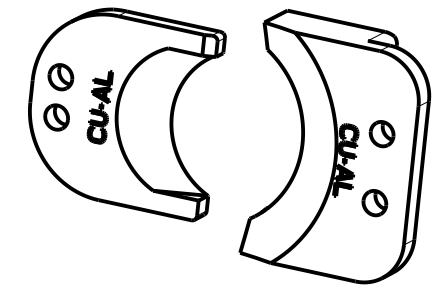
Patriot HCC10-18V	
ITEM NO: N/A	CAT. NO: SEE TABLE SHEET 2
DRAWN BY: T. FAUCHER 01/18/2010	CHECKER: L. BROWN 01/25/2010
DSN APPVL: L. BROWN 02/25/2010	MFG APPVL: S. GONYAW 02/02/2010
QA APPVL: J. BRODEUR 02/08/2010	MKT APPVL: R. ROBICHEAU 02/11/2010
PROD FAM: TOOLS, BATTERY	PROJECT #: 13542
DOCUMENT TYPE: Sales	REL LEVEL: Released
SCALE: 1:4	DRAWING NO: 10086045
SIZE: B	SHEET 1 OF 2
REV: D	



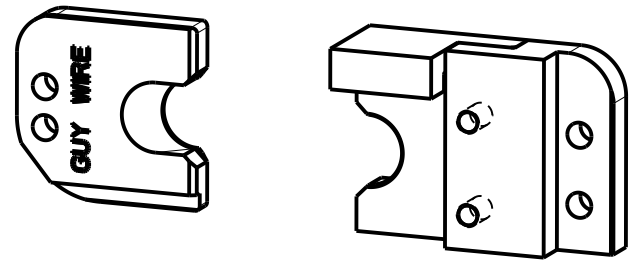
REV: PE0200



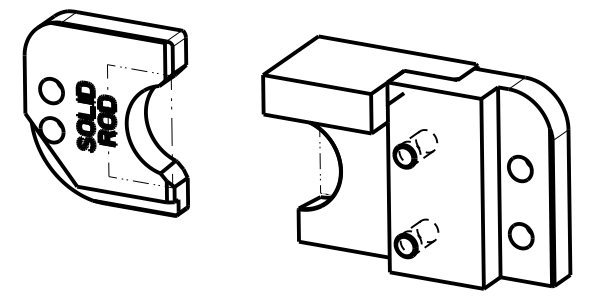
ACSR BLADE SET



CU-AL BLADE SET



GUY WIRE BLADE SET



SOLID BLADE SET

COMPONENTS EACH TOOL IS PROVIDED WITH

CATALOG NUMBER	COVERED HEAD	BAT18V 18V BATTERIES QTY. 2	PATCHGR18V 110-120V AC BATTERY CHARGER	PATCHGR250V 220-250V AC BATTERY CHARGER	BTC/PATDCCHRGR DC BATTERY CHARGER	HCCACSR ACSR BLADE SET	HCCUAL CUAL BLADE SET	HCCSOL SOLID BLADE SET	HCCGUY GUY WIRE BLADE SET	CARRYING CASE	SAFETY LANYARD PT208620
PATHCC10										X	
PATHCC10C	X									X	
PATHCC10ACSR18V		X	X			X				X	X
PATHCC10CUAL18V		X	X				X			X	X
PATHCC10SOL18V		X	X					X		X	X
PATHCC10GUY18V		X	X						X		X
PATHCC10ACSR18V	X	X	X			X				X	X
PATHCC10CUAL18V	X	X	X				X			X	X
PATHCC10SOL18V	X	X	X					X		X	X
PATHCC10GUY18V	X	X	X						X	X	X
PATHCC10ACSR18V250V		X		X		X				X	X
PATHCC10CUAL18V250V		X		X			X			X	X
PATHCC10SOL18V250V		X		X				X		X	X
PATHCC10GUY18V250V		X		X					X	X	X
PATHCC10ACSR18V250V	X	X	X	X		X				X	X
PATHCC10CUAL18V250V	X	X	X	X			X			X	X
PATHCC10SOL18V250V	X	X	X	X				X		X	X
PATHCC10GUY18V250V	X	X	X	X					X	X	X
PATHCC10ACSR18VDC		X			X	X				X	X
PATHCC10CUAL18VDC		X			X		X			X	X
PATHCC10SOL18VDC		X			X			X		X	X
PATHCC10GUY18VDC		X			X				X	X	X
PATHCC10ACSR18VDC	X	X			X	X				X	X
PATHCC10CUAL18VDC	X	X			X		X			X	X
PATHCC10SOL18VDC	X	X			X			X		X	X
PATHCC10GUY18VDC	X	X			X				X	X	X
PATHCC1018V		X	X			X	X	X	X	X	X
PATHCC1018VDC		X			X	X	X	X	X	X	X
PATHCC1018V250V		X		X		X	X	X	X	X	X
PATHCC10C18V	X	X	X			X	X	X	X	X	X
PATHCC10C18VDC	X	X			X	X	X	X	X	X	X
PATHCC10C18V250V	X	X		X		X	X	X	X	X	X

TO ORDER BURNDY® PRODUCTS CALL
 UNITED STATES:
 1-800-346-4175 (LONDONDERRY, NH)
 CANADA:
 1-800-361-6975 (QUEBEC)
 1-800-387-6487 (ALL OTHER PROVINCES)
 FOR PRODUCT INFO: <http://www.burndy.com>

PATRIOT HCC10-18V
 ITEM NO: N/A
 CAT. NO: SEE TABLE
 DRAWN BY: T. FAUCHER 01/18/2010
 CHECKER: L. BROWN 01/25/2010
 DSN APPVL: L. BROWN 02/25/2010
 MFG APPVL: S. GONYAW 02/02/2010
 QA APPVL: J. BRODEUR 02/08/2010
 MKT APPVL: R. ROBICHAU 02/11/2010
 PROD FAM: TOOLS, BATTERY
 PROJECT #: 13542
 DOCUMENT TYPE: Sales
 REL LEVEL: Released

SCALE: 1:4
 DRAWING NO: 10086045
 SHEET 2 OF 2

BURNDY

REV: PE0200