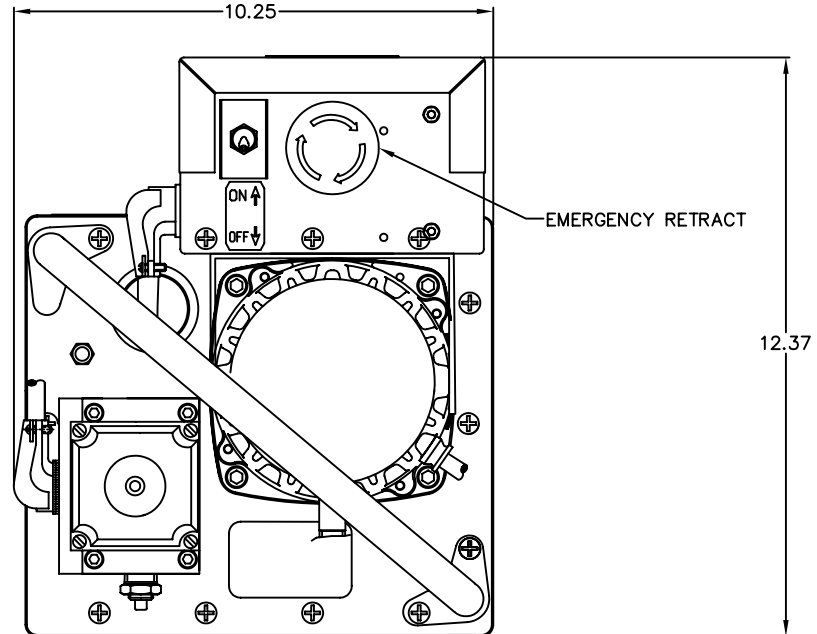


DRAWING NO.  
**10086084**

CATALOG NUMBER	ITEM NUMBER
Y10AC9OEM	10084744
Y8AC9OEM	10097887
Y7AC9OEM	10097889
Y6AC9OEM	10097891

REV.	DATE	DESCRIPTION	ECO	BY	C'K'D.
C	4/29/09	ADDED CAT. #'S Y8AC9 --, Y7AC9 -- AND Y6AC9 -- TO DRAWING	17610	PL	MC



**SPECIFICATIONS:**

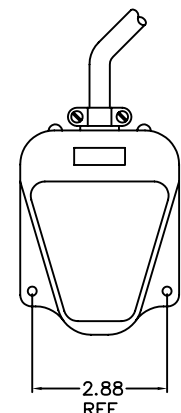
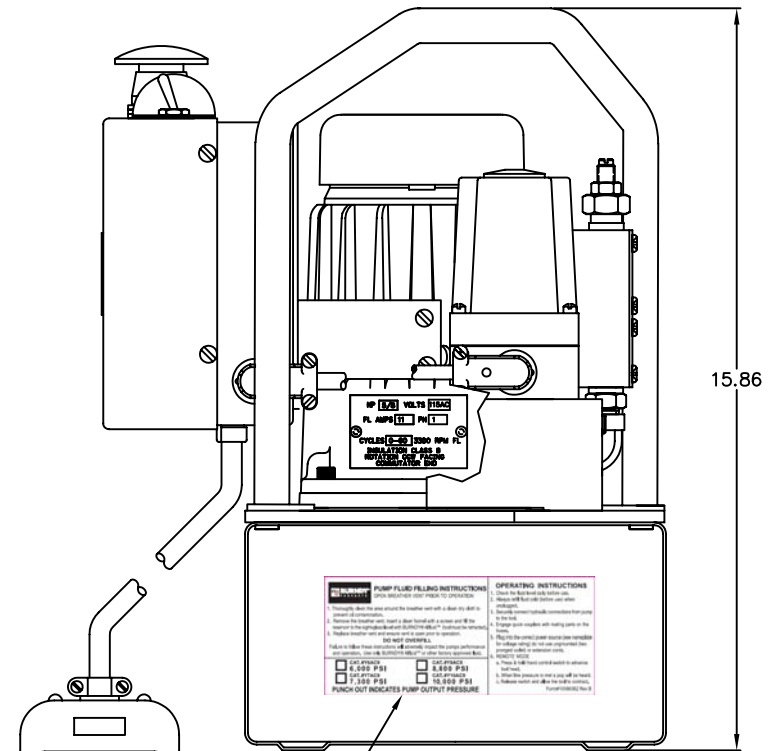
1. RESERVOIR VOLUME; 7 QTS. (4.7 QTS USABLE).
2. OUTPUT PRESSURE; Y10AC9OEM = 10,000 P.S.I.  
Y8AC9OEM = 8,800 P.S.I.  
Y7AC9OEM = 7,300 P.S.I.  
Y6AC9OEM = 6,000 P.S.I.
3. 5/8 H.P. MOTOR, 115V AC 60/50 HZ, 11 AMPS FULL LOAD.

**FEATURES:**

1. AUDIBLE POP OFF VALVE INDICATES FULL CRIMP PRESSURE WAS ACHIEVED.
2. ONCE FULL PRESSURE IS ACHIEVED, THE PUMP WILL AUTO RETRACT.
3. FOOT PEDAL SWITCH CONTROL WITH PROTECTIVE GUARD, (NOT SHOWN).
4. LARGE CAPACITY RESERVOIR.
5. FOOT CONTROLLER WITH GUARD (NOT SHOWN) SUPPLIED WITH 10 FOOT CORD.

**FOOT SWITCH CONTROL:**

- TO ACTIVATE PUMP, DEPRESS FOOT PEDAL SWITCH CONTROL.
- TO STOP PUMP FOR CONNECTION ALIGNMENT, RELEASE FOOT PEDAL SWITCH CONTROL AT ANY TIME DURING THE CYCLE (RAM WILL NOT AUTO RETRACT UNTIL FULL PRESSURE IS REACHED).
- TO CONTINUE, DEPRESS FOOT PEDAL SWITCH CONTROL AGAIN UNTIL FULL PRESSURE IS REACHED RESULTING IN AUTO RETRACT OF RAM.
- FOR EMERGENCY RETRACT AT ANY TIME, ACTIVATE EMERGENCY RETRACT SWITCH LOCATED ON TOP OF PUMP UNIT.



FOOT CONTROLLER WITH GUARD (NOT SHOWN)

-LABEL, ITEM #10086362

TO ORDER BURNDY® PRODUCTS CALL  
 UNITED STATES:  
 1-800-346-4175 (LONDONDERRY, NH)  
 CANADA:  
 1-800-361-6975 (QUEBEC)  
 1-800-387-6487 (ALL OTHER PROVINCES)  
 FOR PRODUCT INFO: <http://www.burndy.com>

HYDRAULIC PUMP KIT	
ITEM NO:	(TABLE)
CAT NO:	Y--AC9OEM (TABLE)
SCALE:	N/A
DRAWN BY:	P LAPONIUS 1/24/08
CHECKER:	R ROBICHEAU 1/24/08
DSN APPVL:	J LEFAVOUR 1/25/08
MFG APPVL:	--
QC APPVL:	J BRODEUR 1/25/08
MKT APPVL:	R ROBICHEAU 1/25/08
PROD FAM:	--
PROJECT #:	--
DOCUMENT TYPE:	Sales
REL LEVEL:	AutoCAD
DRAWING NO	10086084
REV	C
SHEET 1 OF 1	