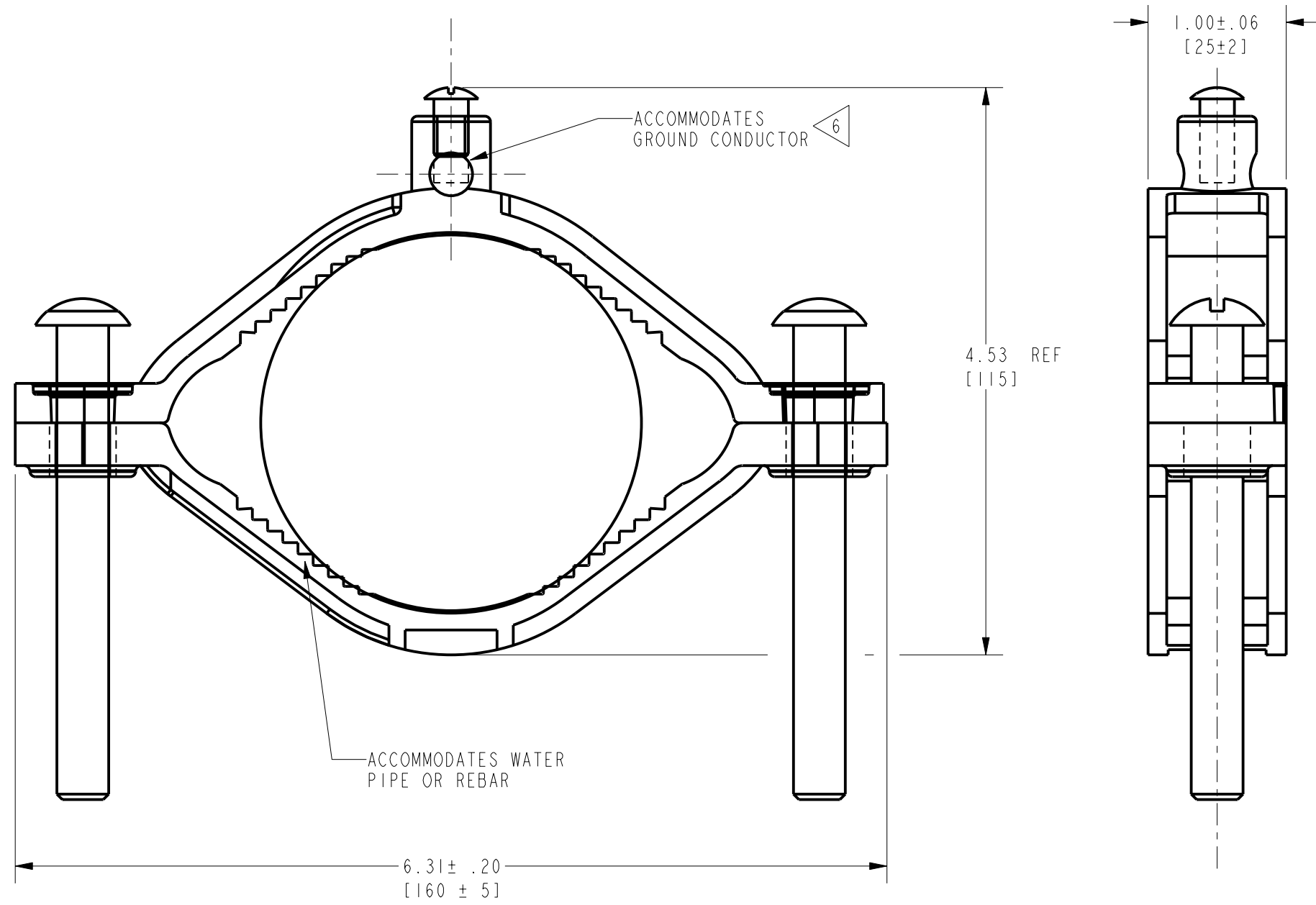


REV.	DATE	DESCRIPTION	ECO	BY	C.H.K.
B	10/16/2009 1:13:00 PM	UPDATED DIMENSIONS.	19373	BSK	JM



NOTES:

- MATERIAL: BODY: SOLID CAST COPPER.
HARDWARE: STEEL, ZINC PLATED. (ACCEPT AS NOTED)
- CONNECTORS ARE UL LISTED TO STANDARD UL467, GROUNDING AND BONDING EQUIPMENT. FOR INDICATED CONDUCTOR RANGE.
- CONNECTORS ARE CSA CERTIFIED TO STANDARD C22.2, NO. 41, GROUNDING AND BONDING EQUIPMENT FOR INDICATED CONDUCTOR RANGE.
- RECOMMENDED SCREW TORQUE "INCH POUNDS": PIPE & WIRE CLAMP = 50 Lb-in.
- DIMENSIONS IN BRACKETS [] ARE IN MILLIMETERS ROUNDED TO THE NEAREST WHOLE NUMBER. UNLESS OTHERWISE NOTED, AND ARE FOR REFERENCE ONLY.
- CONDUCTOR HOLE DIA. IS .31 [8].
- ACCOMMODATES CONDUCTOR RANGE: WATER PIPE = 2-1/2 TO 4 [64 TO 114], REBAR = N/A, GROUND = 10 - 2 STR.

REF:CR13485

TO ORDER BURNDY® PRODUCTS CALL
 UNITED STATES:
 1-800-346-4175 (LONDONDERRY, NH)
 CANADA:
 1-800-361-6975 (QUEBEC)
 1-800-387-6487 (ALL OTHER PROVINCES)
 FOR PRODUCT INFO: <http://www.burndy.com>

GRD. CLAMP, BARE CONDUCTOR-WATER PIPE		SCALE: 1:1	
ITEM NO: 25004366		DRAWING NO	
CAT. NO: C4		REV	
DRAWN BY: R. BOISVERT	03/13/2008	BURNDY	
CHECKER: J. MICHAUD	10/28/2009		
DSN APPVL: J. MICHAUD	10/28/2009		
MFG APPVL: --	--		
QA APPVL: J. BRODEUR	10/29/2009		
MKT APPVL: P. THERRIEN	10/28/2009		
PROJECT #: --	SIZE		
DOCUMENT TYPE: Sales	B		
REL LEVEL: Released		SHEET 1 OF 1	

REV: PE0200