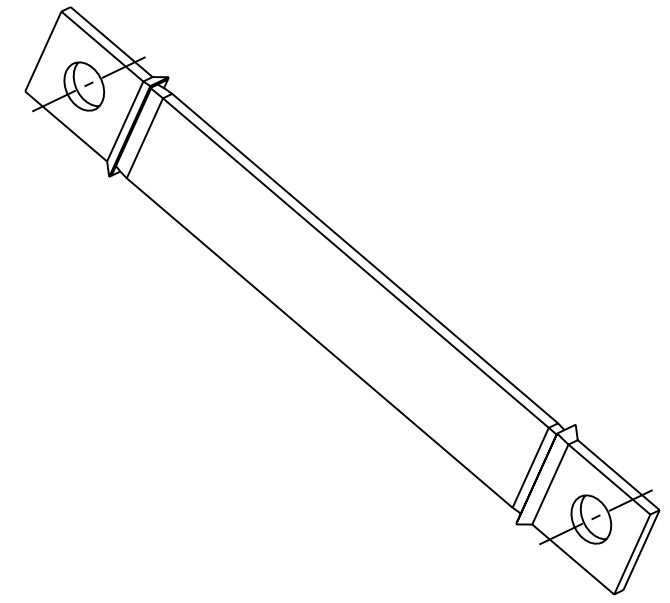
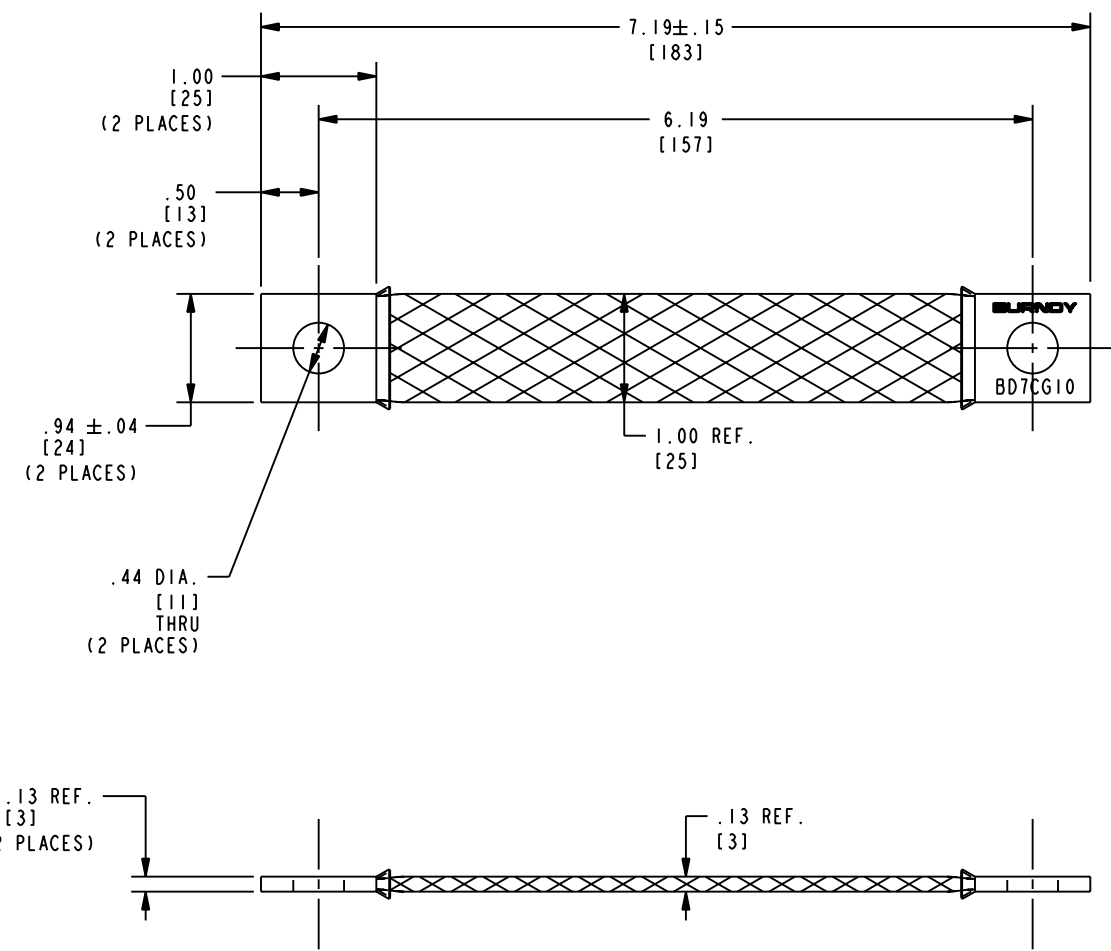


DRAWING NO.
10087567

REV	DATE	DESCRIPTION	ECO	BY	C'H'K.
A	5/13/2008 3:16:00 PM	DRAWING RELEASED	16113	RLB	JM



NOTES:

- DIMENSIONS IN BRACKETS [] ARE IN MILLIMETERS ROUNDED OFF TO THE NEAREST MILLIMETER, UNLESS OTHERWISE SPECIFIED, AND ARE FOR REFERENCE ONLY.
- AMPACITY: 190 Amp INDOOR, 225 Amp OUTDOOR (EQUIV. AWG #1)
- APPROX WEIGHT = 0.4 LB
- BOMBARDIER P/N 87100194S
- MATERIAL:
 - FERRULES: ETP COPPER, TIN PLATED
 - BRAID, COPPER, 24 X 32/30, TIN PLATED

TO ORDER BURNDY® PRODUCTS CALL		BRAID	
UNITED STATES: 1-800-346-4175 (LONDONDERRY, NH)		ITEM NO: 10087408	
CANADA: 1-800-361-6975 (QUEBEC) 1-800-387-6487 (ALL OTHER PROVINCES)		CAT. NO: BD7CG10	
FOR PRODUCT INFO: http://www.fciconnect.com		DRAWN BY: R. BOISVERT 05/13/08	
		CHECKER: J. MICHAUD 05/14/08	
		DSN APPVL: J. MICHAUD 05/05/08	
		MFG APPVL: --	
		QA APPVL: J. BRODEUR 05/05/08	
		MKT APPVL: --	
		SCALE: 1:1	
		PROD FAM: --	
		DRAWING NO	
		10087567	
		REV	
		A	
		SHEET 1 OF 1	

REV: PED200