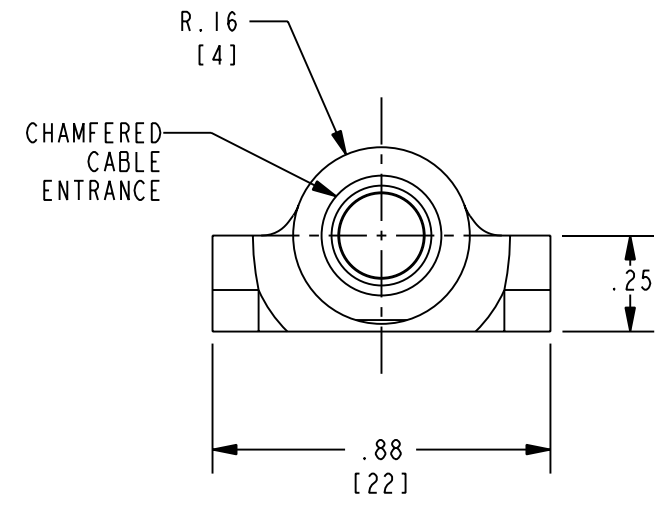
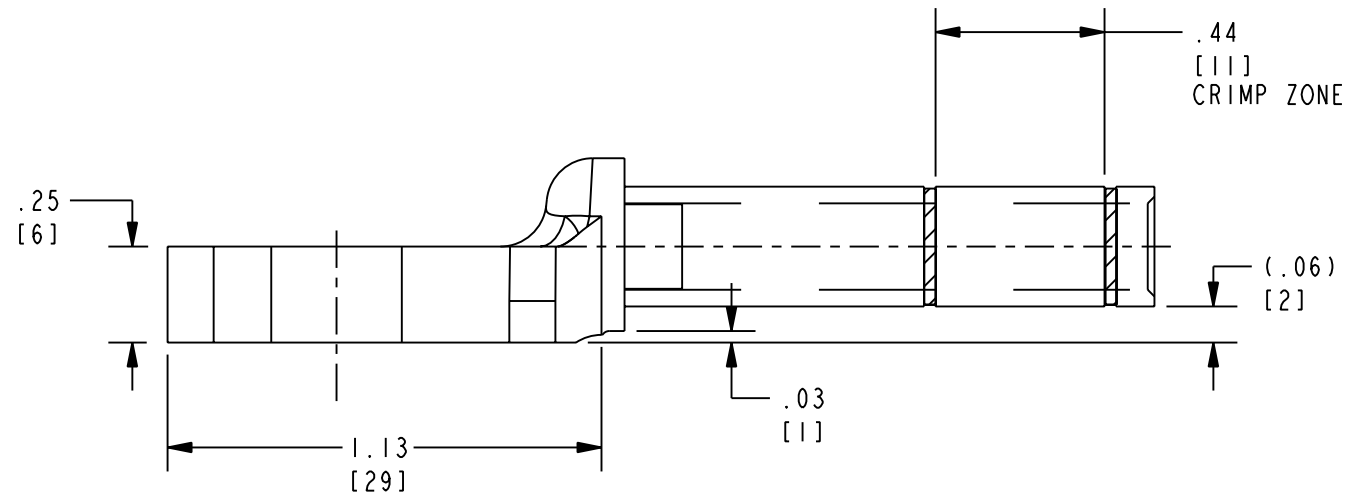
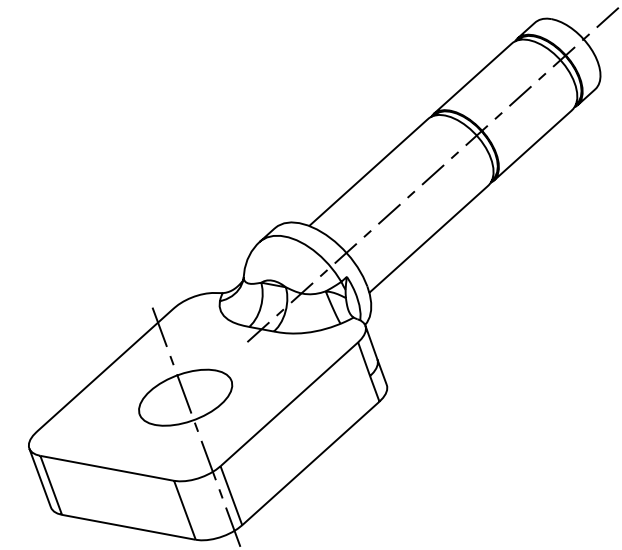
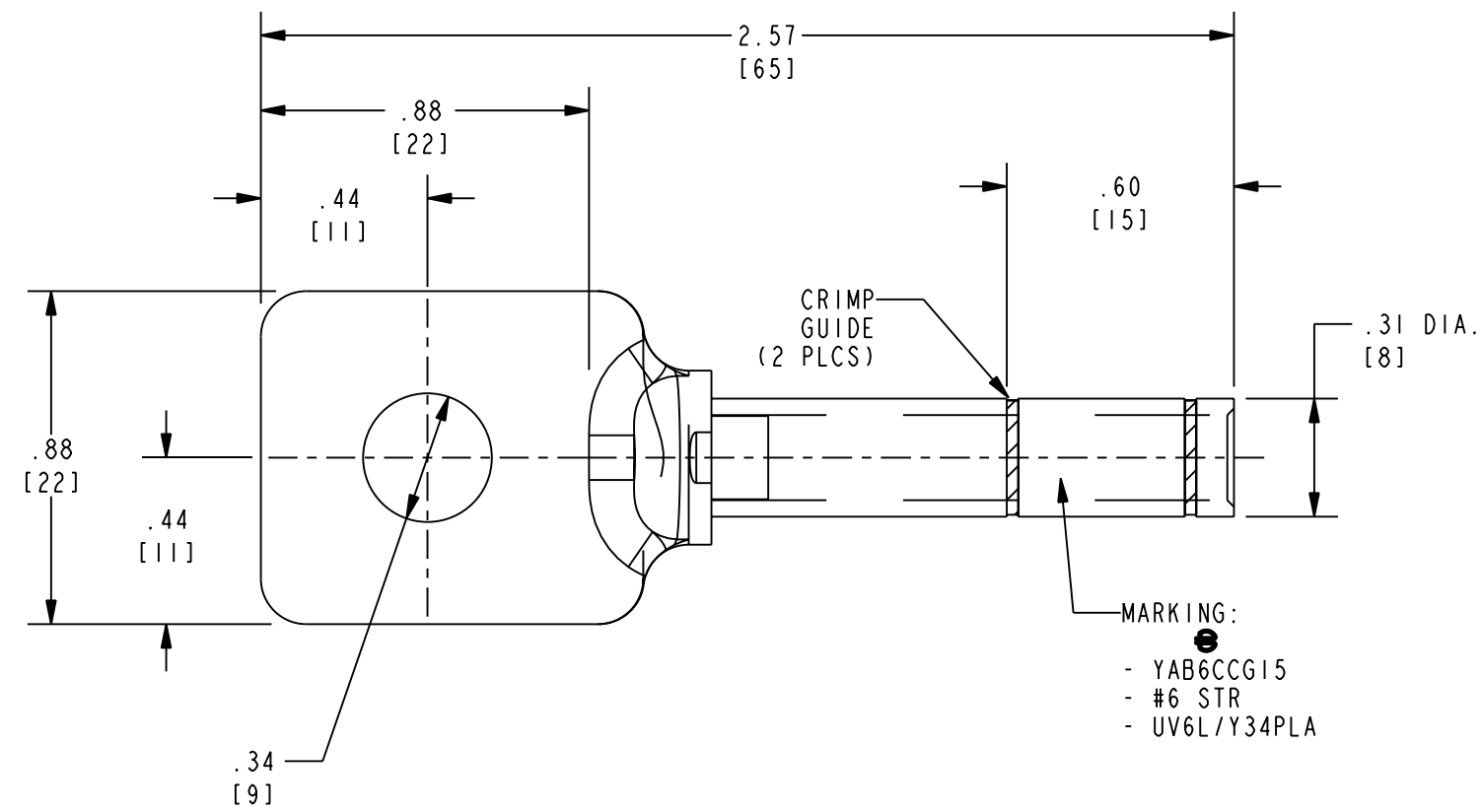


REV.	DATE	DESCRIPTION	ECO	BY	C'H'K.
A	7/9/2008 3:23:00 PM	DRAWING RELEASED	16279	RLB	PRL



NOTES:

- MATERIAL:
  - PAD, CAST COPPER ALLOY
  - BARREL, ETP COPPER
- FINISH: TIN PLATE
- WIRE STRIPPED LENGTH = 1.10
- CABLE TO BE INSTALLED TO CONDUCTOR WITH
  - BURNDY TOOL: Y35, Y39, Y750, Y46 (WITH PUADP-1 ADAPTER)
  - BURNDY NEST: UV6L
  - BURNDY INDENTER: Y34PLA
- ESTIMATE WEIGHT = 0.14 LB
- DIMENSIONS IN BRACKETS [ ] ARE IN MILLIMETERS ROUNDED OFF TO THE NEAREST MILLIMETER, UNLESS OTHERWISE NOTED, AND ARE FOR REFERENCE ONLY.

TO ORDER BURNDY® PRODUCTS CALL  
 UNITED STATES:  
 1-800-346-4175 (LONDONDERRY, NH)  
 CANADA:  
 1-800-361-6975 (QUEBEC)  
 1-800-387-6487 (ALL OTHER PROVINCES)  
 FOR PRODUCT INFO: <http://www.burndy.com>

CAST LUG, AWG #6, M8 STUD	
ITEM NO: 10088398	
CAT. NO: YAB6CCG15	
DRAWN BY: R. BOISVERT	07/03/08
CHECKER: W. ZAHLMAN	07/07/08
DSN APPVL: W. ZAHLMAN	07/01/08
MFG APPVL: --	--
QA APPVL: J. BRODEUR	06/30/08
MKT APPVL: D. FAN	07/01/08
PROD FAM: --	SCALE: 2:1
PROJECT #: --	DRAWING NO
DOCUMENT TYPE: --	10087570
REL LEVEL: Released	SHEET 1 OF 1

REV: PE0200