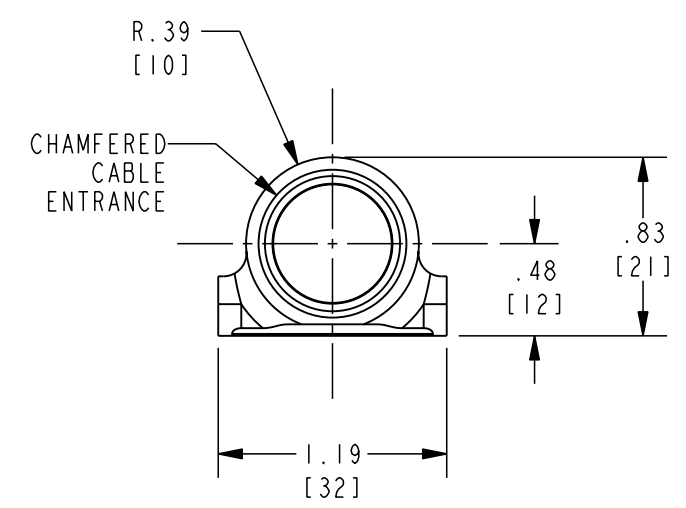
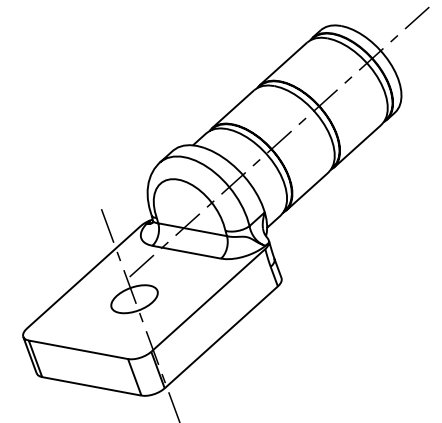
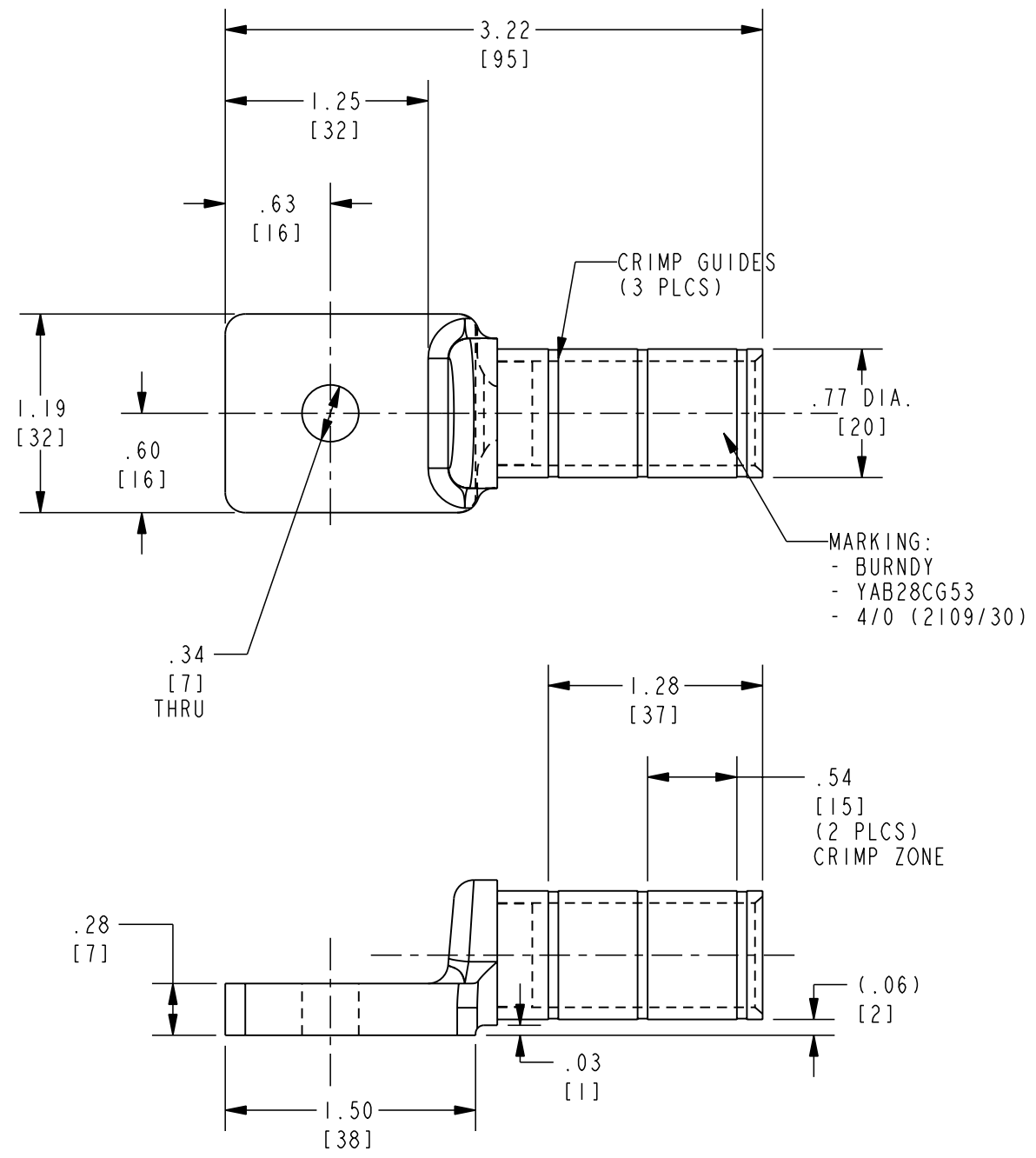


| REV. | DATE                 | DESCRIPTION    | ECO   | BY  | C'H'K. |
|------|----------------------|----------------|-------|-----|--------|
| B    | 4/12/2010 3:13:00 PM | UPDATED NOTE 4 | 20793 | ATM | ATM    |



NOTES:

- MATERIAL:  
 - CAST BODY, CAST COPPER ALLOY  
 - BARREL, ETP COPPER
- FINISH: TIN PLATE
- WIRE STRIPPED LENGTH = 1.50
- CABLE TO BE INSTALLED TO CONDUCTOR WITH  
 TOOL: Y39, Y750 (WITH Y35P3 ADAPTER) OR Y46 (WITH PUADP-1 ADAPTER)  
 NEST: UV28L  
 INDENTOR: Y34PA
- ESTIMATE WEIGHT = 0.80 LB
- DIMENSIONS IN BRACKETS [ ] ARE IN MILLIMETERS ROUNDED OFF TO THE NEAREST MILLIMETER, UNLESS OTHERWISE NOTED, AND ARE FOR REFERENCE ONLY.

TO ORDER BURNDY® PRODUCTS CALL  
 UNITED STATES:  
 1-800-346-4175 (LONDONDERRY, NH)  
 CANADA:  
 1-800-361-6975 (QUEBEC)  
 1-800-387-6487 (ALL OTHER PROVINCES)  
 FOR PRODUCT INFO: <http://www.burndy.com>

| CAST LUG, AWG 4/0 M8 STUD HOLE |                      |
|--------------------------------|----------------------|
| ITEM NO:                       | 10087897             |
| CAT. NO:                       | YAB28CG53            |
| DRAWN BY:                      | R. BOISVERT 07/03/08 |
| CHECKER:                       | W. ZAHLMAN 07/07/08  |
| DSN APPVL:                     | W. ZAHLMAN 07/01/08  |
| MFG APPVL:                     | --                   |
| QA APPVL:                      | J. BRODEUR 06/30/08  |
| MKT APPVL:                     | D. FAN 07/01/08      |
| PROD FAM:                      | --                   |
| PROJECT #:                     | --                   |
| DOCUMENT TYPE:                 | --                   |
| REL LEVEL:                     | Released             |

|             |          |
|-------------|----------|
| SCALE:      | 1:1      |
| DRAWING NO: | 10087573 |
| REV:        | B        |
| SHEET       | 1 OF 1   |

REV: PE0200