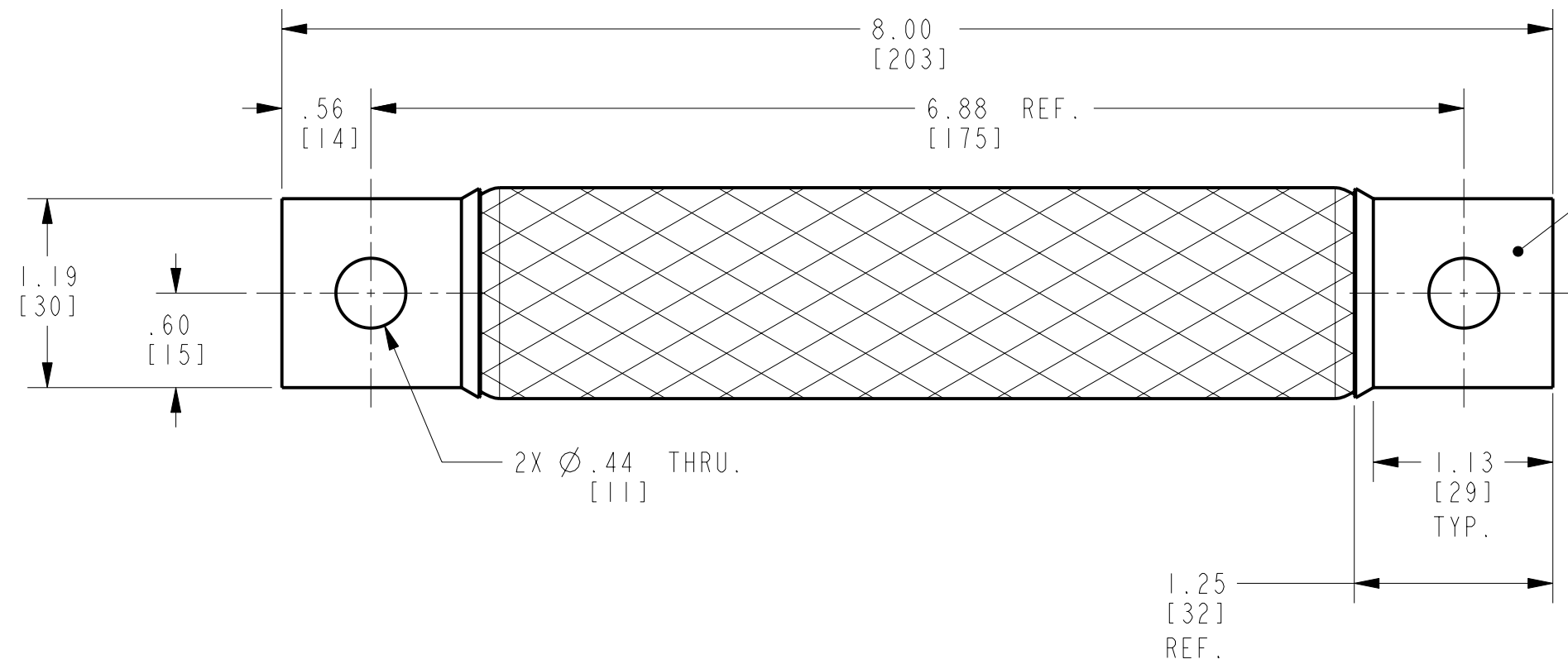
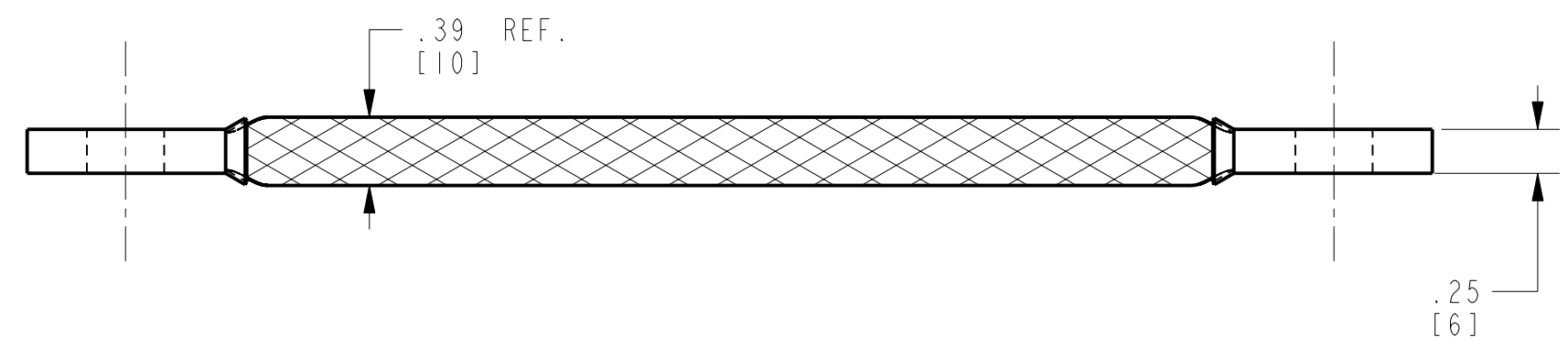
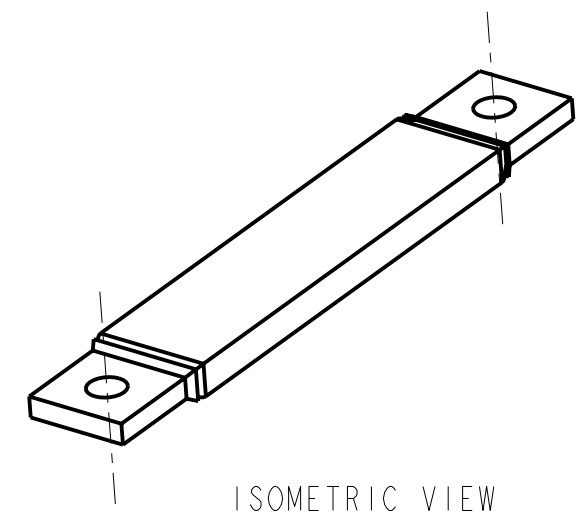


REV.	DATE	DESCRIPTION	ECO	BY	C'H'K.
1	3/31/2009 12:00:00 AM	FOCUS REQUEST	17843	BSB	MA

**NOT FOR PRODUCTION USE**



MARKING:  
- BURNDY  
- BF8CG5W



NOTES: UNLESS OTHERWISE SPECIFIED.

- MATERIAL:  
FERRULE, ETP COPPER  
BRAID, COPPER., 3X24X32X30 (EQUIV. TO 4/0).
- FINISH:  
FERRULE, TIN PLATED.  
BRAID, TIN PLATED.
- AMPACITY, APPROX. 360 Amp INDOOR, 430 Amp OUTDOOR.
- DIMENSIONS IN BRACKETS [ ] ARE IN MILLIMETERS ROUNDED OFF TO THE NEAREST MILLIMETER, UNLESS OTHERWISE NOTED, AND ARE FOR REFERENCE ONLY.

TO ORDER BURNDY® PRODUCTS CALL  
UNITED STATES:  
1-800-346-4175 (LONDONDERRY, NH)  
CANADA:  
1-800-361-6975 (QUEBEC)  
1-800-387-6487 (ALL OTHER PROVINCES)  
FOR PRODUCT INFO: <http://www.fciconnect.com>

BRAID		SCALE: 3:4	
ITEM NO:	10094244	DRAWING NO	REV
CAT. NO:	BF8CG5W	10089344	1
DRAWN BY:	B.SURESH BABU 3/11/09	PROJECT #:	
CHECKER:	B.SURESH KUMAR 4/15/09	DOCUMENT TYPE:	Sales
DSN APPVL:	--	REL LEVEL:	In Work
MFG APPVL:	--		
QA APPVL:	--		
MKT APPVL:	--		
PROD FAM:	--		

REV: PE0200