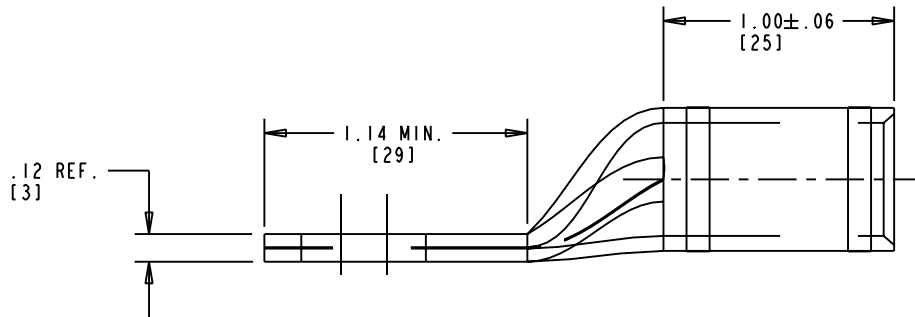
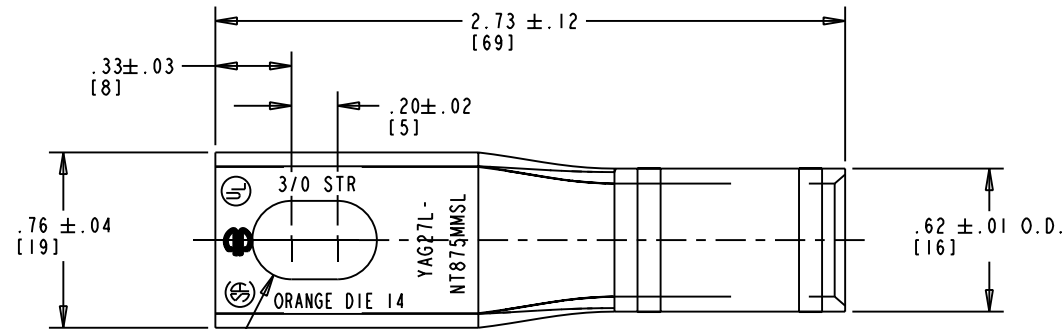


DRAWING NO.
10090787

COLOR CODE	DIE INFORMATION		MECHANICAL				HYDRAULIC				DIELESS (# CRIMPS)	WIRE STRIP LENGTH	
	DIE INDEX	TYPE	OUR840	MD6 MD7	MD6--R2 BAT500	MD7--34R	BCT500 Y500CT PAT600	Y34A Y34B Y34BH	Y35, Y39 Y750, BAT35 PAT750, BAT750	Y46 PAT46			Y45
ORANGE	14	ORANGE DIE SET	X27RT(3)	W27RT(2) W27VT(2)	W27RT(2) W27VT(2)	W27RT(2) W27VT(2)	X27RT(3) W27RT(2) W27VT(2)	-----	U27RT(1)	U27RT(1)	U27RT(1)	MECHANICAL: MY29-3(1) MY29-11(1) HYDRAULIC: Y644M(1) BAT644M(1) PAT644M(1) Y81K-SERIES(1)	1-1/16"
		NEST	-----	-----	-----	-----	A27D(1) B27D(1)	-----	U27D-1(1)	U27D-1(1)	U27D-1(1)		
		INDENTOR	-----	-----	-----	-----	Y34PR	-----	Y34PR	Y34PR	Y34PR		

REV	DATE	DESCRIPTION	ECO	BY	C'H'K.
A	8/5/2008 1:33:00 PM	DRAWING RELEASED	16495	RLB	JM



NOTES:

- MATERIAL: COPPER TUBING.
- FINISH: TIN PLATED.
- CATALOG # PT6515 ADAPTOR IS REQUIRED TO USE "U" DIES IN Y45 SERIES TOOLS.
- CATALOG # PUADP-1 ADAPTOR IS REQUIRED TO USE "U" DIES IN Y46 SERIES TOOLS.
- Y35P3 INDENTOR ADAPTOR REQUIRED FOR Y34R INDENTOR.
- DIMENSIONS IN BRACKETS [] ARE IN MILLIMETERS ROUNDED OFF TO THE NEAREST MILLIMETER, UNLESS OTHERWISE SPECIFIED, AND ARE FOR REFERENCE ONLY.
- FOR USE BY CUSTOMERS THAT HAVE THIS HYPRESS™ NO NEW Y34A HYPRESS™ TOOLS ARE BEING PROCESSED. Y34A USES A--D NEST DIES ONLY.
- CONNECTORS ARE "UL" LISTED.
- CONNECTORS ARE "CSA" CERTIFIED.
- "X", "W-RT", "W-VT" & "U" DIE SETS ARE COLOR CODED. "A" & "B" DIES ARE NOT COLOR CODED. NESTS AND INDENTOR TYPE ARE NOT COLOR CODED.
- ACCOMMODATES: 3/0 STR COPPER CABLE.

TO ORDER BURNDY® PRODUCTS CALL
 UNITED STATES:
 1-800-346-4175 (LONDONDERRY, NH)
 CANADA:
 1-800-361-6975 (QUEBEC)
 1-800-387-6487 (ALL OTHER PROVINCES)
 FOR PRODUCT INFO: <http://www.burndy.com>

COPPER HYLUG™ (NARROW TONGUE)	
ITEM NO:	10087399
CAT. NO:	YAG27LNT875MMSL
DRAWN BY:	R. BOISVERT 08/05/08
CHECKER:	J. MICHAUD 08/07/08
DSN APPVL:	J. MICHAUD 07/25/08
MFG APPVL:	--
QA APPVL:	J. BRODEUR 07/28/08
MKT APPVL:	J. SYLVIA 07/25/08
SCALE:	2.000
PROD FAM:	--
PROJECT #:	--
DOCUMENT TYPE:	--
REL LEVEL:	Released



REV: PE0200

