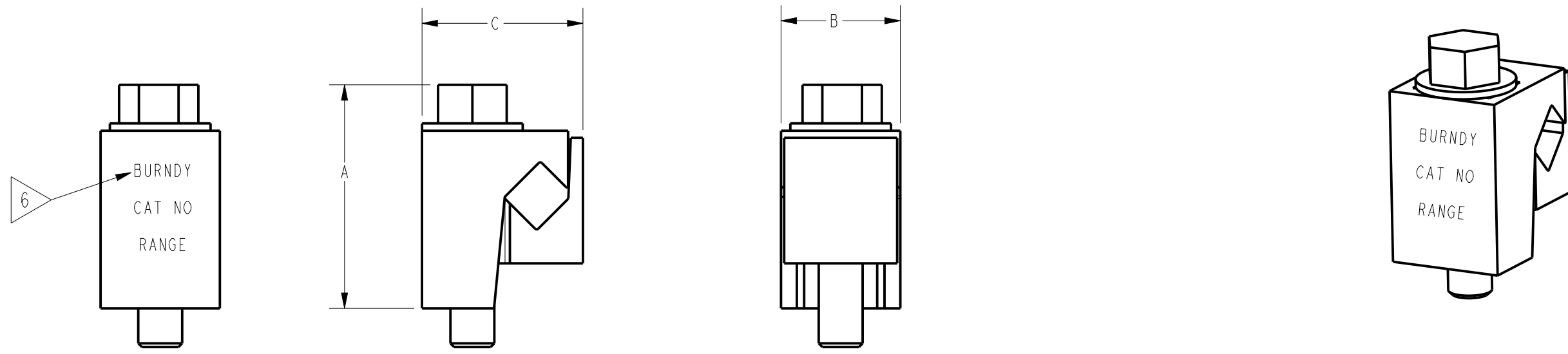


ITEM NUMBER	CATALOG NUMBER	CONDUCTOR RANGE		A	B	C	BOLT HEAD (HEX.)	THREAD PITCH	RECOMMENDED TORQUE (IN-LB)
		MAX. 2 CONDUCTOR	MIN. 2 CONDUCTOR						
10090342	VG1	6 SOL.	10 SOL.	.87 [22]	.61 [15]	.77 [20]	3/8" (SLOTTED)	1/4-28	80
10090343	VG2	4 STR.	8 STR.	1.06 [27]	.64 [16]	.80 [20]	9/16"	5/16-24	160
10090344	VG3	2 SOL.	6 SOL.	.97 [25]	.83 [21]	.96 [25]	9/16"	5/16-24	180
10090345	VG4	1/0 STR.	4 SOL.	1.75 [44]	.97 [25]	1.15 [29]	9/16"	3/8-24	220
10090346	VG5	2/0 STR.	3 SOL.	1.98 [50]	.94 [24]	1.27 [32]	9/16"	3/8-24	220

REV.	DATE	DESCRIPTION	ECO	BY	C'H'K.
D	05/19/2014 01:00:00 AM	UPDATED TABLE PER M/U.	36107	RB	PL

5



NOTES:

1. MATERIAL: COPPER ALLOY
2. DIMENSIONS IN BRACKETS [] ARE IN MILLIMETERS ROUNDED OFF TO THE NEAREST MILLIMETER UNLESS OTHERWISE NOTED AND ARE FOR REFERENCE ONLY.
3. THIS DRAWING TO BE INTERPRETED PER ASME Y14.5M-1994.
4. CONNECTORS ARE CAPABLE OF ACCEPTING ANY COMBINATION OF CONDUCTORS WITHIN SPECIFIED MAXIMUM RANGE. EXAMPLE V.G-1 CAN ACCEPT 7 SOL. - 9 STR. COMBINATION.

5. THE VG1 HARDWARE HAS A SLOTTED HEX. THE OTHER SIZES ARE UNSLOTTED.

6. VG1 AND VG2 SHOW BURNDY SYMBOL.

TO ORDER BURNDY® PRODUCTS CALL
 UNITED STATES:
 1-800-346-4175 (LONDONDERRY, NH)
 CANADA:
 1-800-361-6975 (QUEBEC)
 1-800-387-6487 (ALL OTHER PROVINCES)
 FOR PRODUCT INFO: <http://www.burndy.com>

VISE CONNECTORS	
ITEM NO:	SEE TABLE
CAT. NO:	VG-- TABLE
DRAWN BY:	A. MONTMINY 07/24/2008
CHECKER:	J. PARKER 12/18/08
DSN APPVL:	J. PARKER 12/17/08
MFG APPVL:	--
QA APPVL:	A. MASON 12/17/08
MKT APPVL:	--
PROD FAM:	--
PROJECT #:	--
DOCUMENT TYPE:	Sales
REL LEVEL:	Released



SCALE:	DRAWING NO	REV
1:1	10090832	D

REV: PE0200