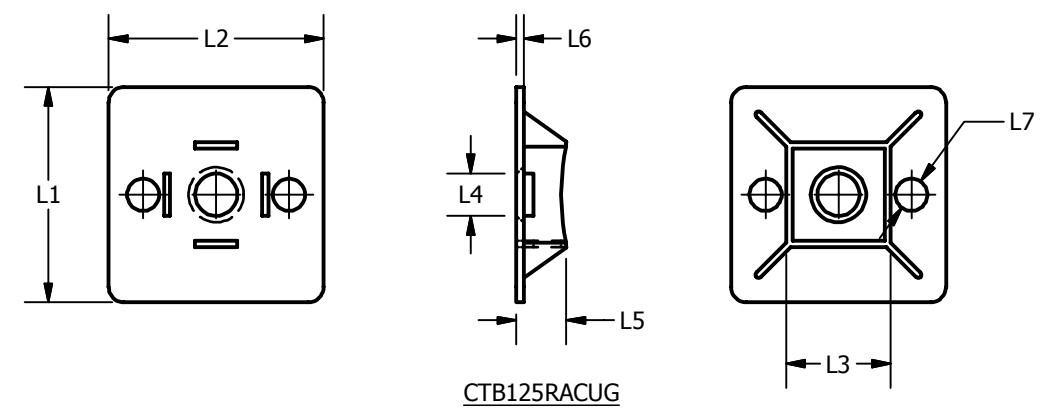
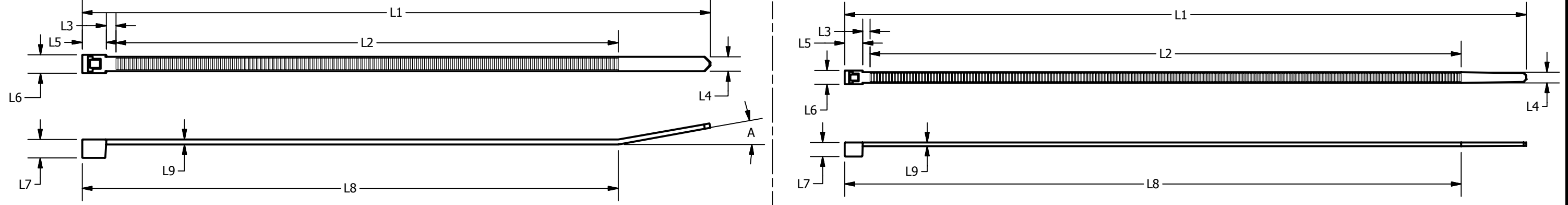
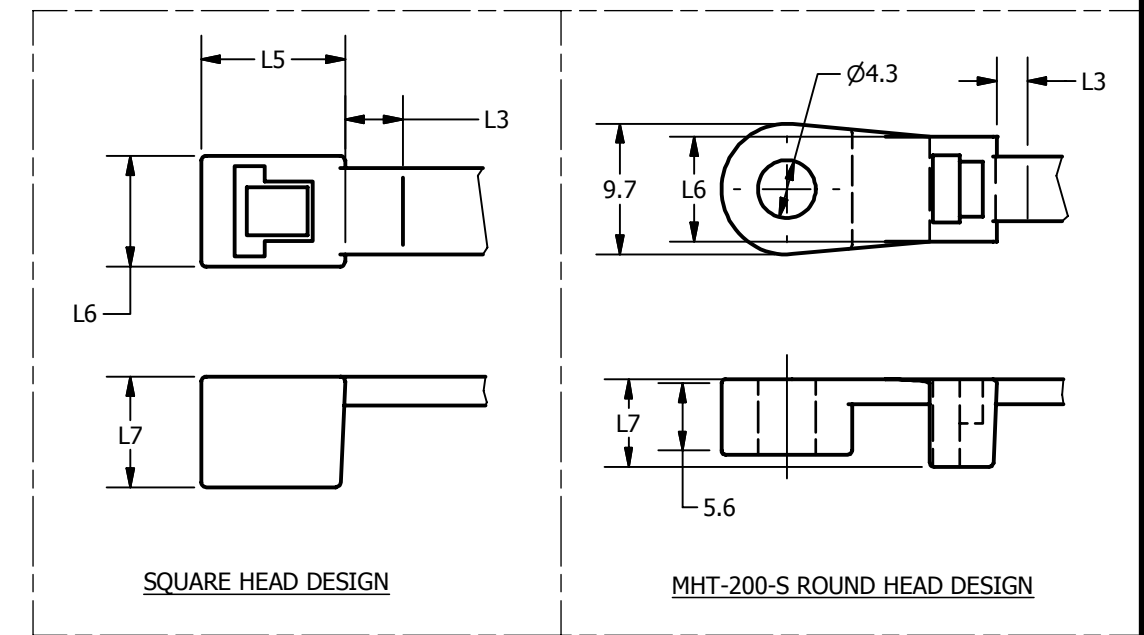


CATALOG NUMBER	ITEM NUMBER	COLOR	PIECES PER BAG	L1	L2	L3	L4	L5	L6	L7	L8	L9	A
CT18075CUG	10089808	NATURAL	100	100±1.5	70.5±1.5	3.7±.1	2.6±.1	4.8±.2	4.5±.2	3.9±.2	79±1.5	1	18°±.1°
CT18075COUG	10089809	BLACK	100	100±1.5	70.5±1.5	3.7±.1	2.6±.1	4.8±.2	4.5±.2	3.9±.2	79±1.5	1	18°±.1°
CT18200MUG	10089810	NATURAL	1000	202±2.5	178.8±2.5	1.4±.1	2.55±.2	4.22±.2	4.6±.2	3.5±.2	181.9±2	1.2±.1	N/A
CT30125COUG	10089811	BLACK	100	150±1.8	114±1.8	4.0±.1	3.3±.1	6.0±.2	5.5±.2	4.3±.2	130±1.8	1.25±.05	10°±.1°
CT30125CUG	10089812	NATURAL	100	150±1.8	114±1.8	4.0±.1	3.3±.1	6.0±.2	5.5±.2	4.3±.2	130±1.8	1.25±.05	10°±.1°
CT40200CUG	10089813	NATURAL	100	201±2	164±2	4.7±.1	3.3±.1	6.0±.1	5.5±.1	4.4±.1	180±2	1.25±.1	10°
CT50175CUG	10089814	NATURAL	100	199±1	159.5±1	2.7±.1	4.5±.1	7.7±.2	7.9±.2	5.9±.2	175±1	134±.1	10°
CT50175MUG	10089815	NATURAL	1000	199±1	159.5±1	2.7±.1	4.5±.1	7.7±.2	7.9±.2	5.9±.2	175±1	134±.1	10°
CT50300MUG	10089816	NATURAL	1000	288±3	250±3	3±.1	4.5±.1	7.6±.2	7.8±.2	5.8±.2	265±3	1.42±.1	N/A
CT50300CUG	10089817	NATURAL	100	288±3	250±3	3±.1	4.5±.1	7.6±.2	7.8±.2	5.8±.2	265±3	1.42±.1	N/A
CT50400CUG	10089828	NATURAL	100	371±3.5	333±3.5	2.7±.1	4.5±.1	7.7±.2	7.9±.2	5.9±.2	348±3	1.5±.1	N/A
CT50175COUG	10089829	BLACK	100	199±1	159.5±1	2.7±.1	4.5±.1	7.7±.2	7.9±.2	5.9±.2	175±1	134±.1	10°
CT50175M0UG	10089830	BLACK	1000	199±1	159.5±1	2.7±.1	4.5±.1	7.7±.2	7.9±.2	5.9±.2	175±1	134±.1	10°
CT50300COUG	10089831	BLACK	100	288±3	250±3	3±.1	4.5±.1	7.6±.2	7.8±.2	5.8±.2	265±3	1.42±.1	N/A
CT50300M0UG	10089832	BLACK	1000	288±3	250±3	3±.1	4.5±.1	7.6±.2	7.8±.2	5.8±.2	265±3	1.42±.1	N/A
CT50300MH10COUG	50030670	BLACK	100	298±3	244.5±2.5	7.2±3	4.8±.1	20.6±2.5	7.8±.2	6.5±.2	274±3	1.42±.1	22.5°
CT50300MH10CUG	50030671	NATURAL	100	298±3	244.5±2.5	7.2±3	4.8±.1	20.6±2.5	7.8±.2	6.5±.2	274±3	1.42±.1	22.5°
CT50400COUG	10089833	BLACK	100	371±3.5	333±3.5	2.7±.1	4.5±.1	7.7±.2	7.9±.2	5.9±.2	348±3	1.5±.1	N/A
CT120400LOUG	10089835	BLACK	50	370±1.5	324±1.5	3.0±.1	7.2±.2	11.5±.2	11.7±.15	7.5±.15	343±1.5	1.84±.1	N/A
CT120400COUG	50019214	BLACK	100	370±1.5	324±1.5	3.0±.1	7.2±.2	11.5±.2	11.7±.15	7.5±.15	343±1.5	1.84±.1	N/A
CT120400LUG	10089834	NATURAL	50	370±1.5	324±1.5	3.0±.1	7.2±.2	11.5±.2	11.7±.15	7.5±.15	343±1.5	1.84±.1	N/A
CT50175MH10CUG	10089836	NATURAL	100	198±2	144.5±1.5	7.2±.2	4.8±.1	20.5±.2	7.8±.1	6.5±.1	174±2	N/A	22.5°
CT50175MH10COUG	50030669	BLACK	100	198±2	144.5±1.5	7.2±.2	4.8±.1	20.5±.2	7.8±.1	6.5±.1	174±2	N/A	22.5°
CTB125RA4CUG	10089837	NATURAL	100	28±.1	28±.1	13.6±.1	5.5±.1	5.5±.1	1.2	4.2±.1	N/A	N/A	N/A

REV	DATE	DESCRIPTION	ECO	BY	CHK.
D	10/28/2014	CAT.# CT50300MH10COUG & CT50300MH10CUG ADDED	38212	RM	RG



TO ORDER BURNDY® PRODUCTS CALL		UNIRAP™ UNIVERSEL GRADE	
UNITED STATES 1-800-346-4175 (LONDONDERRY, NH)		ITEM NO: SEE TABLE	
CANADA: 1-800-361-6975 (QUEBEC) 1-800-387-6487 (ALL OTHER PROVINCES)		CAT. NO: CT-UG	
FOR PRODUCT INFO: <a href="http://www.burndy.com">http://www.burndy.com</a>		DRAWN BY: P LAPONIUS 8/27/2008	
		CHECKER: R CAVANAUGH 9/12/2008	
		DSN APRVL: --	
		MFG APRVL: --	
		QA APRVL: C ACKERMAN 9/4/2008	
		MKT APRVL: R CAVANAUGH 8/28/2008	
		PROD FAM: --	
		DRAWING NO	
		10092186	
		SIZE	
		B	
		SHEET 1 OF 1	
		REV	
		D	