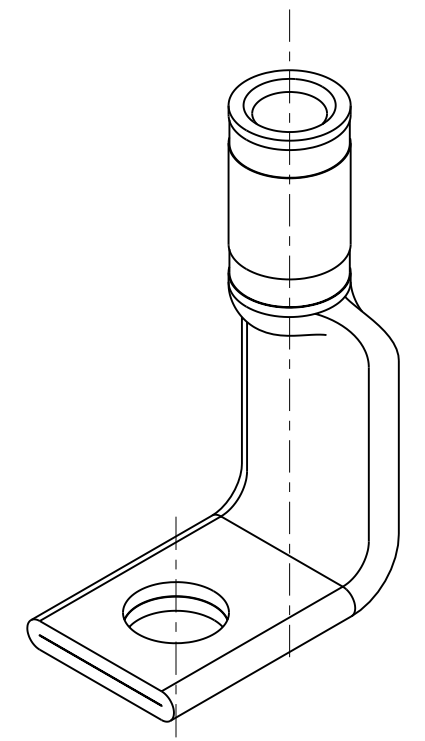
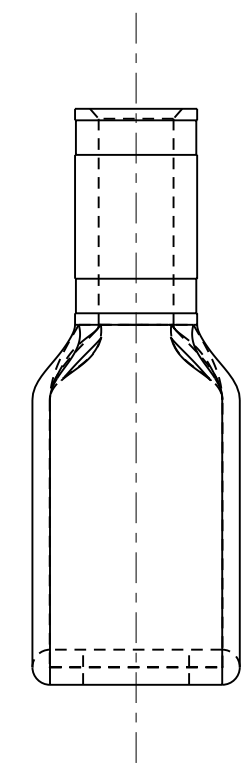
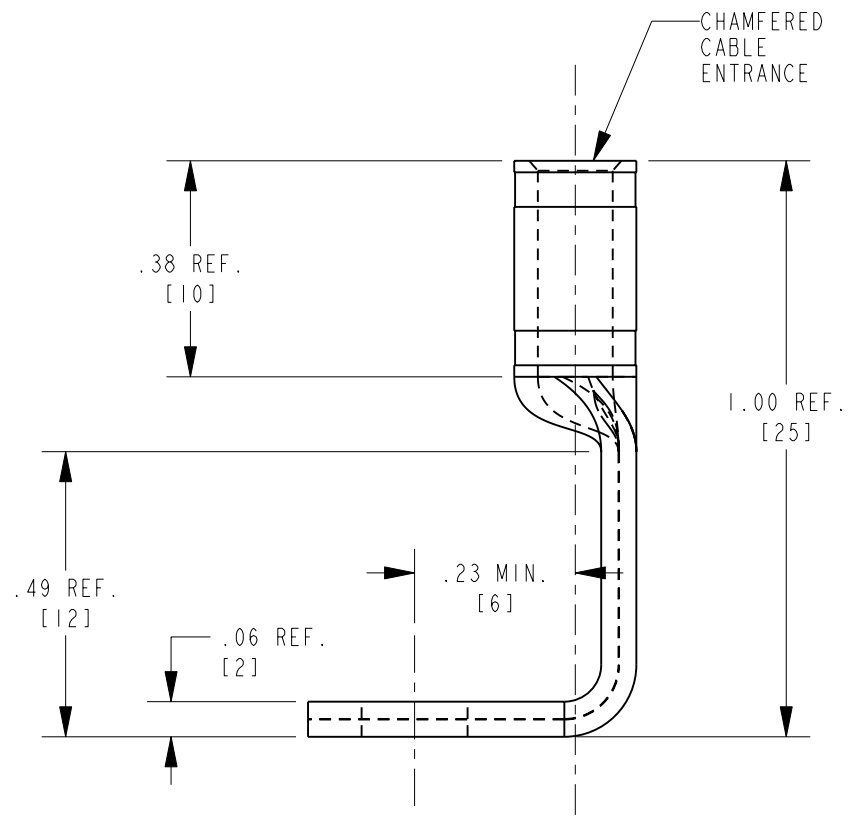
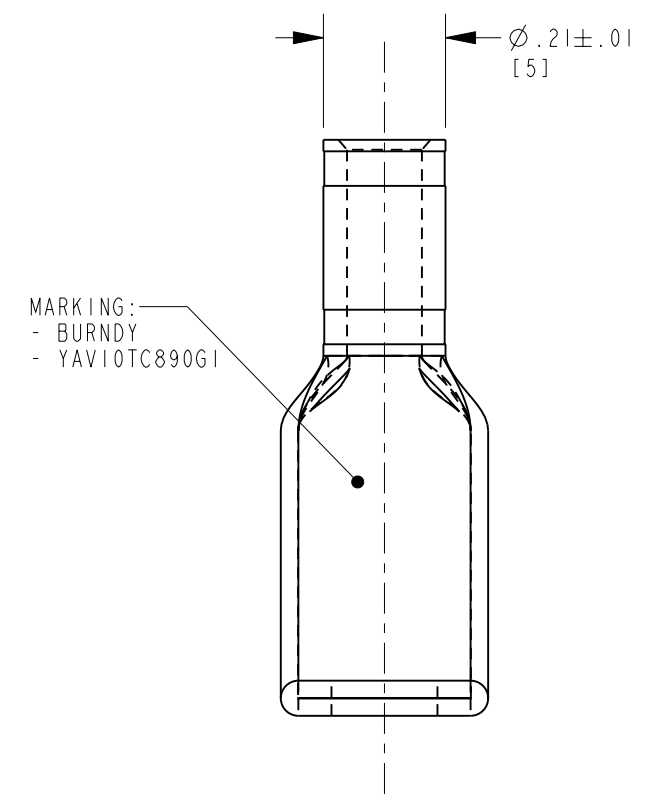
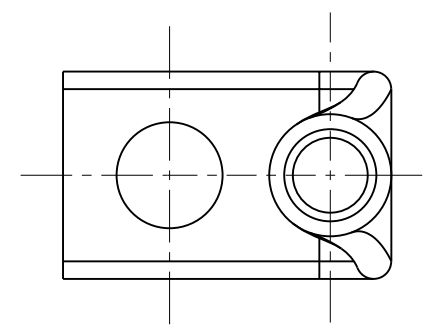
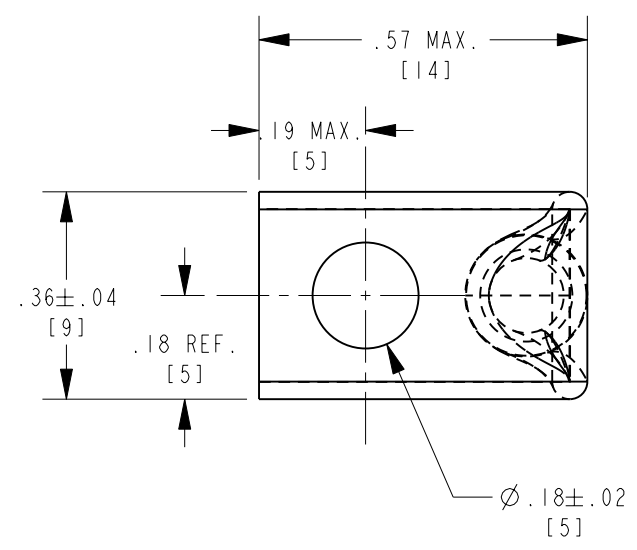


REV.	DATE	DESCRIPTION	ECO	BY	C'H'K.
B	05/08/2017 11:42:00 AM	LOGO UPDATION	46694	SV	MB



NOTES:

- NOTES:
1. MATERIAL: COPPER
 2. FINISH: TIN PLATED
 3. INSTALLATION TOOL: Y8MRB-1, DIELESS, 1 CRIMP
 4. WIRE STRIP LENGTH = 7/16"
 5. ACCOMMODATES AWG # 10 CABLE
 6. DIMENSIONS IN BRACKETS [] ARE IN MILLIMETERS ROUNDED OFF TO THE NEAREST MILLIMETER UNLESS OTHERWISE SPECIFIED, AND ARE FOR REFERENCE ONLY.



TO ORDER BURNDY® PRODUCTS CALL
 UNITED STATES:
 1-800-346-4175 (LONDONDERRY, NH)
 CANADA:
 1-800-361-6975 (QUEBEC)
 1-800-387-6487 (ALL OTHER PROVINCES)
 FOR PRODUCT INFO: <http://www.burndy.com>

HYLUG™ #10 AWG 90 DEG. #8 STUD	
ITEM NO: 10094119	
CAT. NO: YAVI0TC890G1	
DRAWN BY: R. BOISVERT	01/09/09
CHECKER: J. MICHAUD	01/12/09
DSN APPVL: J. MICHAUD	12/31/08
MFG APPVL: S. HOLLOWAY	12/24/08
QA APPVL: J. BRODEUR	01/05/09
MKT APPVL: --	01/05/09
PROD FAM: --	
PROJECT #: --	
DOCUMENT TYPE: Sales	
REL LEVEL: Released	
SCALE: 2:1	
DRAWING NO	REV
SIZE	10093111
B	B
SHEET 1 OF 1	

REV: PE0200